



solcraft[®]
even better!

ROOF PANELS – DETAIL CATALOG

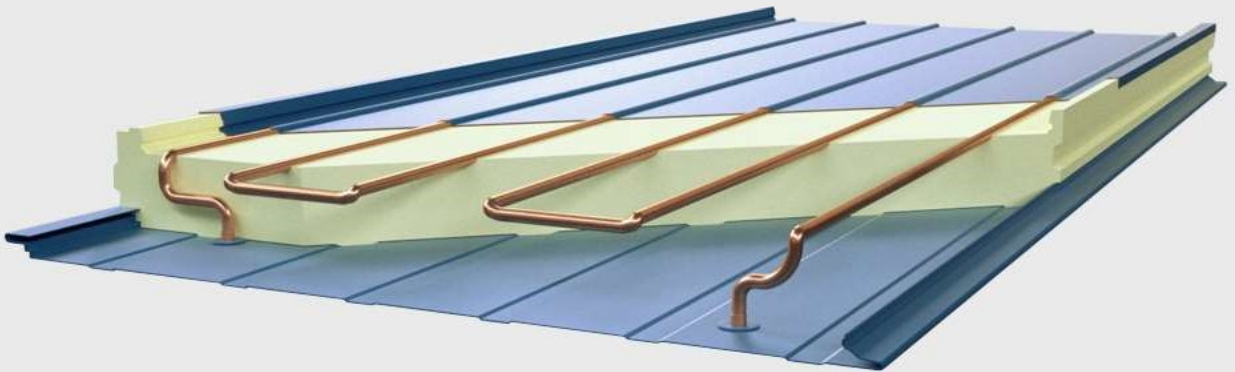


TABLE OF CONTENTS:

1. Roof panels connections:

- 1.1. Thermont® - connection of insulating roof panels with a hidden connector
- 1.2. Thermont® - diagram of joining insulating roof panels with a hidden connector
- 1.3. Thermont_{plus}® - connection of insulating roof panels with a hidden connector
- 1.4. Thermont_{plus}® - diagram of joining insulating roof panels with a hidden connector
- 1.5. Thexpan® - connection of insulating roof panels with a hidden connector
- 1.6. Thexpan® - diagram of joining insulating roof panels with a hidden connector
- 1.7. Thexpan_{plus}® - connection of insulating roof panels with a hidden connector
- 1.8. Thexpan_{plus}® - diagram of joining insulating roof panels with a hidden connector
- 1.9. Connection of Thermont® / Thexpan® roof panels on the length
- 1.10. Connection of Thermont_{plus}® / Thexpan_{plus}® roof panels on the length

2. Roof clip:

- 2.1. End of the roof clip

3. Connection of the roof panels with ridge beam:

- 3.1. Standard connection of Thermont® / Thexpan® roof panels with ridge beam - option 1
- 3.2. Standard connection of Thermont_{plus}® / Thexpan_{plus}® roof panels with ridge beam - option 1
- 3.3. Standard connection of Thermont® / Thexpan® roof panels with ridge beam - option 2
- 3.4. Standard connection of Thermont_{plus}® / Thexpan_{plus}® roof panels with ridge beam - option 2

4. The end of the roof panels:

- 4.1. Thermont® / Thexpan® - end of the roof plate in the wind brace
- 4.2. Thermont_{plus}® / Thexpan_{plus}® - end of the roof plate in the wind brace
- 4.3. Thermont® / Thexpan® - end of the right roof plate in the wind brace
- 4.4. Thermont® / Thexpan® - end of the left roof plate in the wind brace
- 4.5. Ending of the Thermont® / Thexpan® panel in a shed roof at the top of the building
- 4.6. Ending of the Thermont® / Thexpan® roof panel without eaves with wall plate - option 1
- 4.7. Ending of the Thermont® / Thexpan® roof panel without eaves with wall plate - option 2

5. Gutter fixing to roof panels:

- 5.1. Gutter fixing in roof with Thermont® / Thexpan® panels - option 1
- 5.2. Gutter fixing in roof with Thermont® / Thexpan® panels - option 2

6. Connections of roof panels with a brick wall:

- 6.1. Fastening Thermont[®] / Thexpan[®] roof panel to the brick wall
- 6.2. Fastening Thermont_{plus}[®] / Thexpan_{plus}[®] roof panel to the brick wall
- 6.3. Fastening Thermont[®] / Thexpan[®] roof panel to the brick wall
(along the edge parallel to the roof slope)
- 6.4. Fastening Thermont_{plus}[®] / Thexpan_{plus}[®] roof panel to the brick wall
(along the edge parallel to the roof slope)

7. Attics and drainage troughs:

- 7.1. Fastening Thermont[®] / Thexpan[®] roof panel with an attic
- 7.2. Attachment of the attic at the eaves
- 7.3. Drainage trough in the Thermont[®] / Thexpan[®] roof panel with an attic
- 7.4. Drainage trough in the Thermont_{plus}[®] / Thexpan_{plus}[®] panel with an attic
- 7.5. Drainage trough in the Thermont[®] / Thexpan[®] roof panel
- 7.6. Drainage trough in the Thermont_{plus}[®] / Thexpan_{plus}[®] roof panel

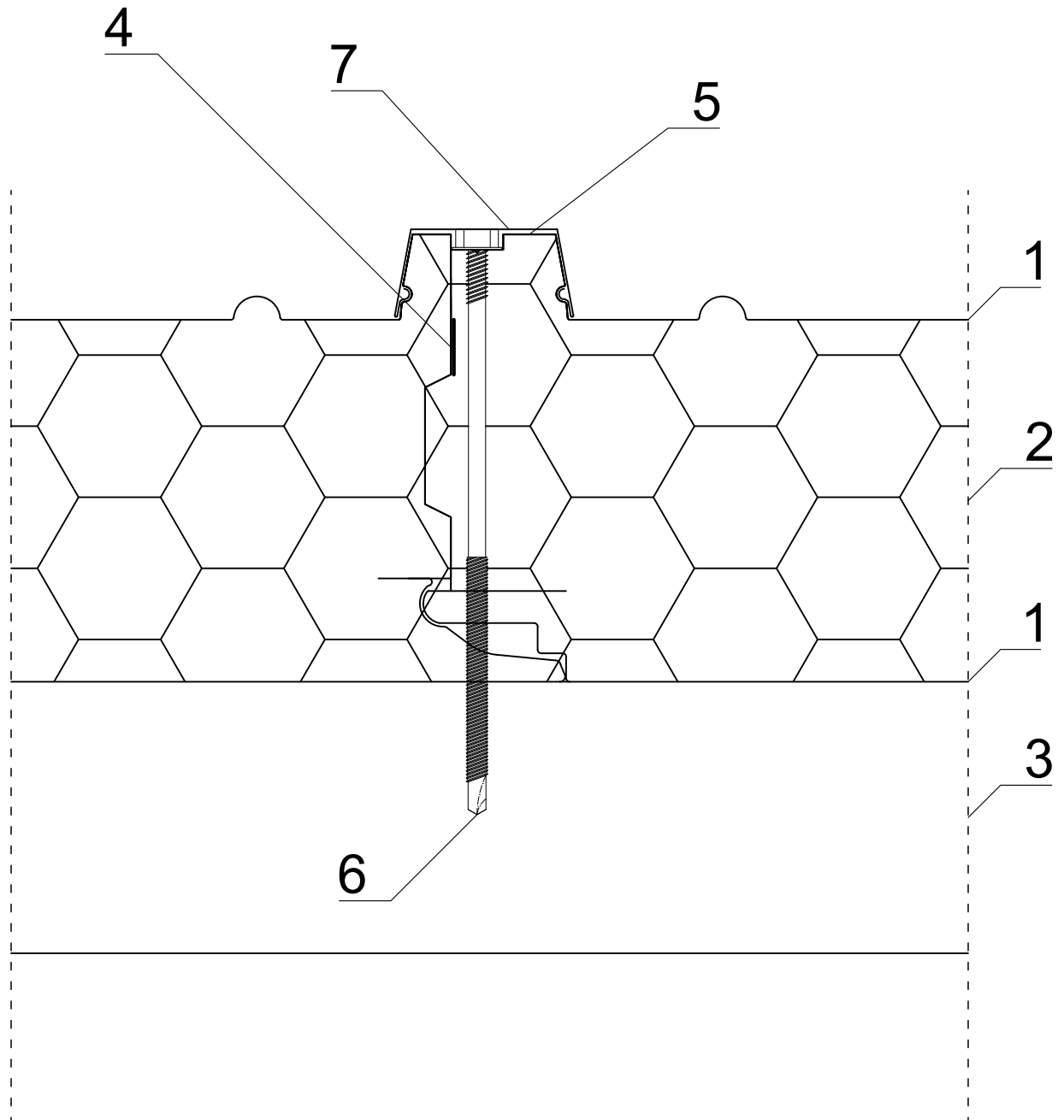
8. Lighting in roof panels

- 8.1. Construction of the base for lighting in Thermont[®] / Thexpan[®] roof plate
- 8.2. Construction of the base for lighting in Thermont_{plus}[®] / Thexpan_{plus}[®] roof plate

9. Connections of the roof panels with the chimney

- 9.1. Pass of ventilation ducts through Thermont[®] / Thexpan[®] roof plate
- 9.2. Pass of ventilation ducts through Thermont_{plus}[®] / Thexpan_{plus}[®] roof plate

Thermont[®] - connection of insulating roof panels with a hidden connector



- 1. Galvanized and coated steel sheet
- 2. Polyurethane foam
- 3. Purlin
- 4. Foam tape

- 5. Sealing tape
- 6. Fastener
- 7. Roof clips



Solcraft Sp. z o.o.

Bogdanka 7f biuro@solcraft.pl
 95-060 Brzeziny www.solcraft.pl
 tel. +48 22 723 83 27

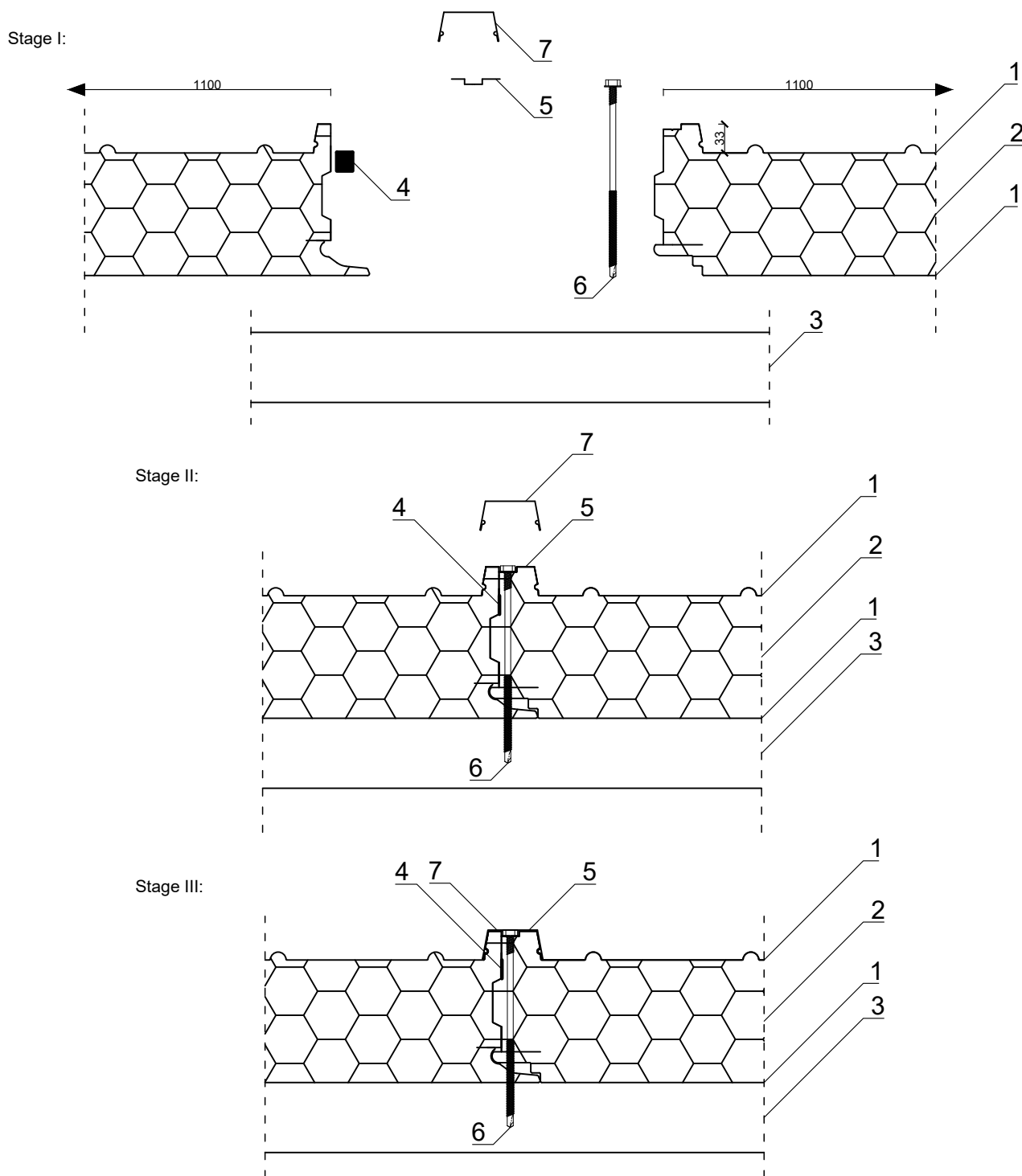
H-Block[®], Thexpan[®], Thermont[®], Frigothex[®]

Energy-saving building systems

Drawing number:

1.1.

Thermont[®] - diagram of joining insulating roof panels with a hidden connector



1. Galvanized and coated steel sheet
2. Polyurethane foam
3. Purlin
4. Foam tape

5. Sealing tape
6. Fastener
7. Roof clips



Solcraft Sp. z o.o.

Bogdanka 7f biuro@solcraft.pl
 95-060 Brzeziny www.solcraft.pl
 tel. +48 22 723 83 27

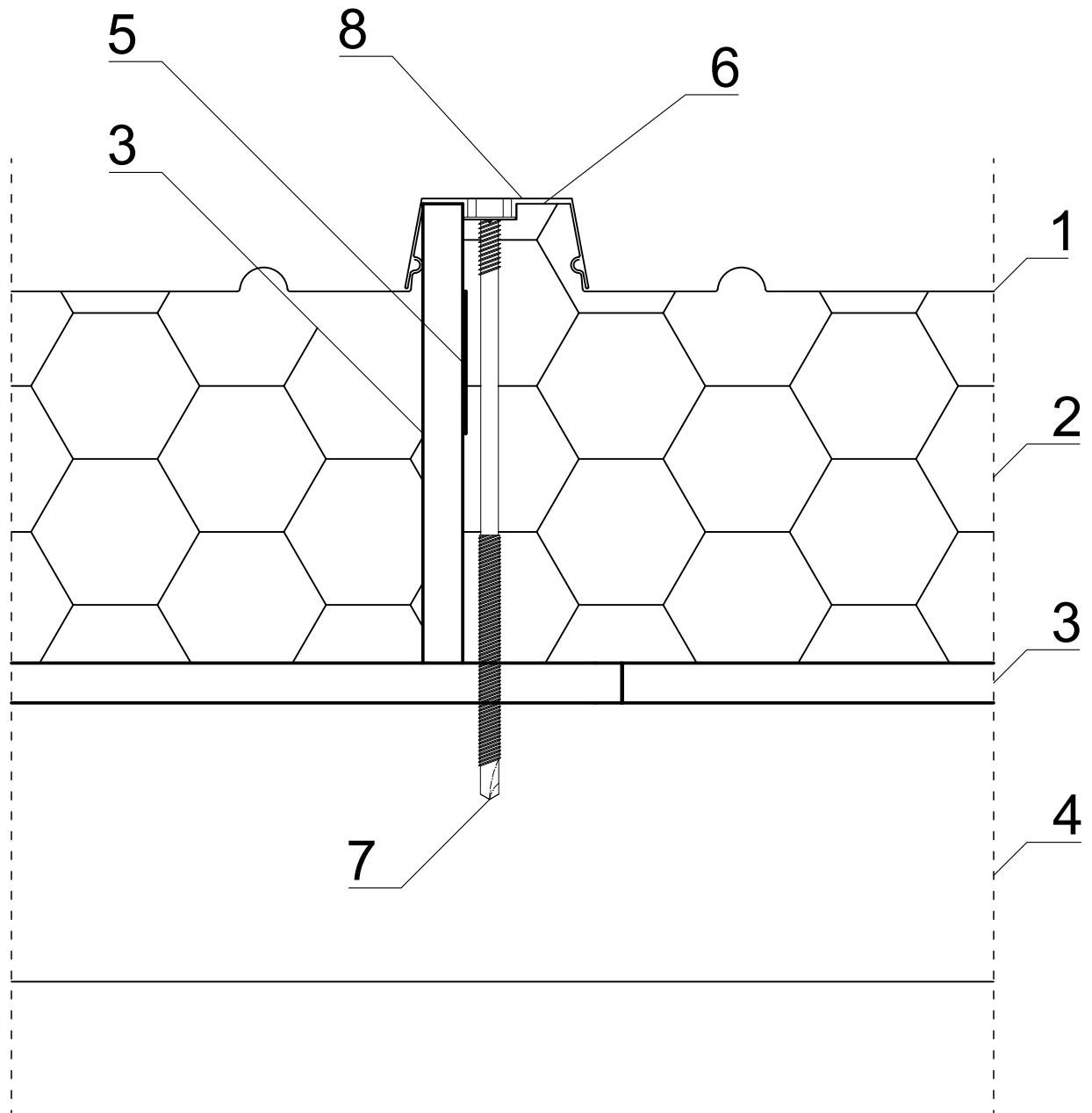
H-Block[®], Thexpan[®], Thermont[®], Frigothex[®]

Energy-saving building systems

Drawing number:

1.2.

Thermont[®]_{plus} - connection of insulating roof panels with a hidden connector



1. Galvanized and coated steel sheet
2. Polyurethane foam
3. OSB
4. Purlin

5. Foam tape
6. Sealing tape
7. Fastener
8. Roof clips



Solcraft Sp. z o.o.

Bogdanka 7f biuro@solcraft.pl
 95-060 Brzeziny www.solcraft.pl
 tel. +48 22 723 83 27

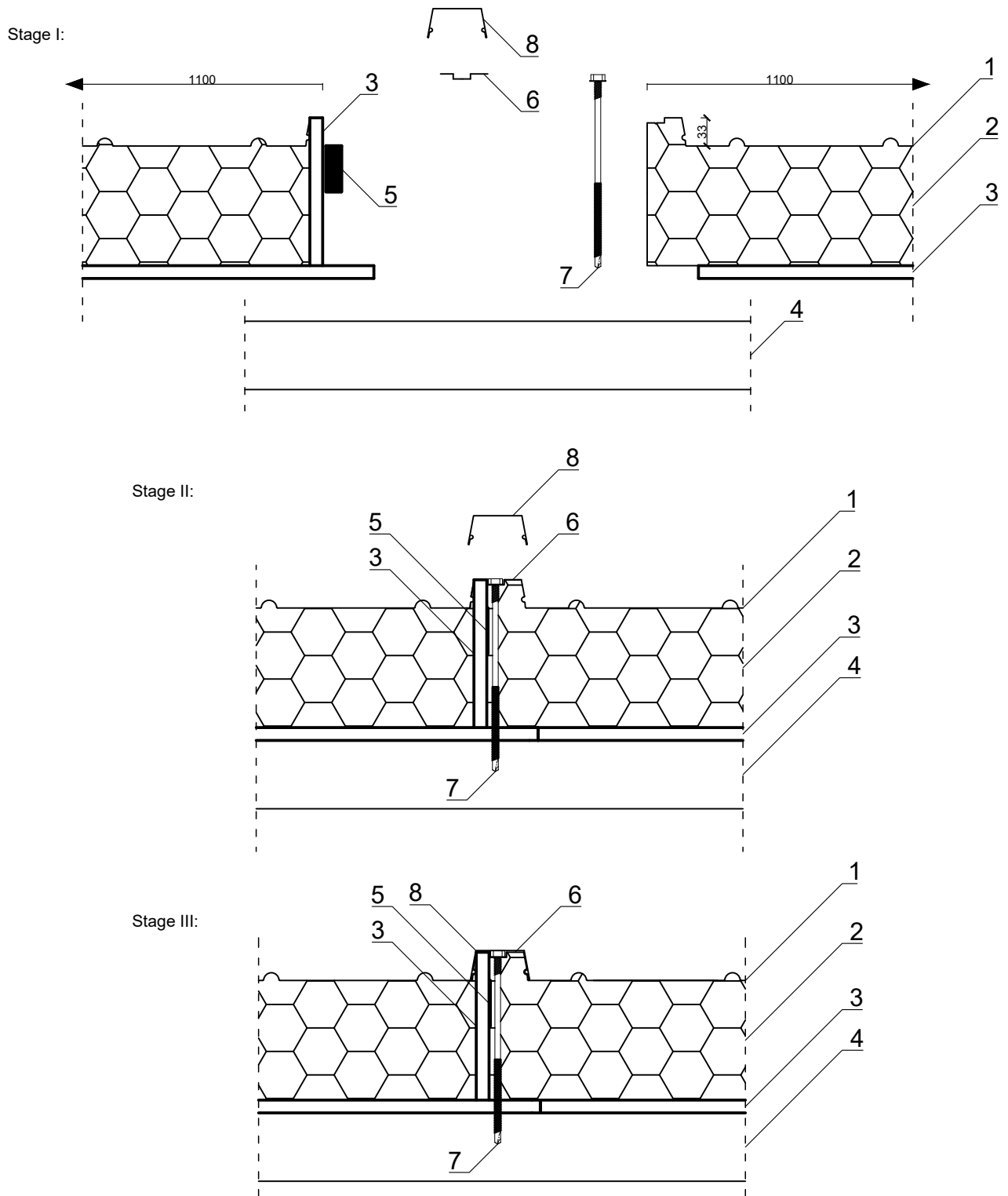
H-Block[®], Thexpan[®], Thermont[®], Frigothex[®]

Energy-saving building systems

Drawing number:

1.3.

Thermont[®]_{plus} - diagram of joining insulating roof panels with a hidden connector



1. Galvanized and coated steel sheet
2. Polyurethane foam
3. OSB
4. Purlin

5. Foam tape
6. Sealing tape
7. Fastener
8. Roof clips



Solcraft Sp. z o.o.

Bogdanka 7f biuro@solcraft.pl
 95-060 Brzeziny www.solcraft.pl
 tel. +48 22 723 83 27

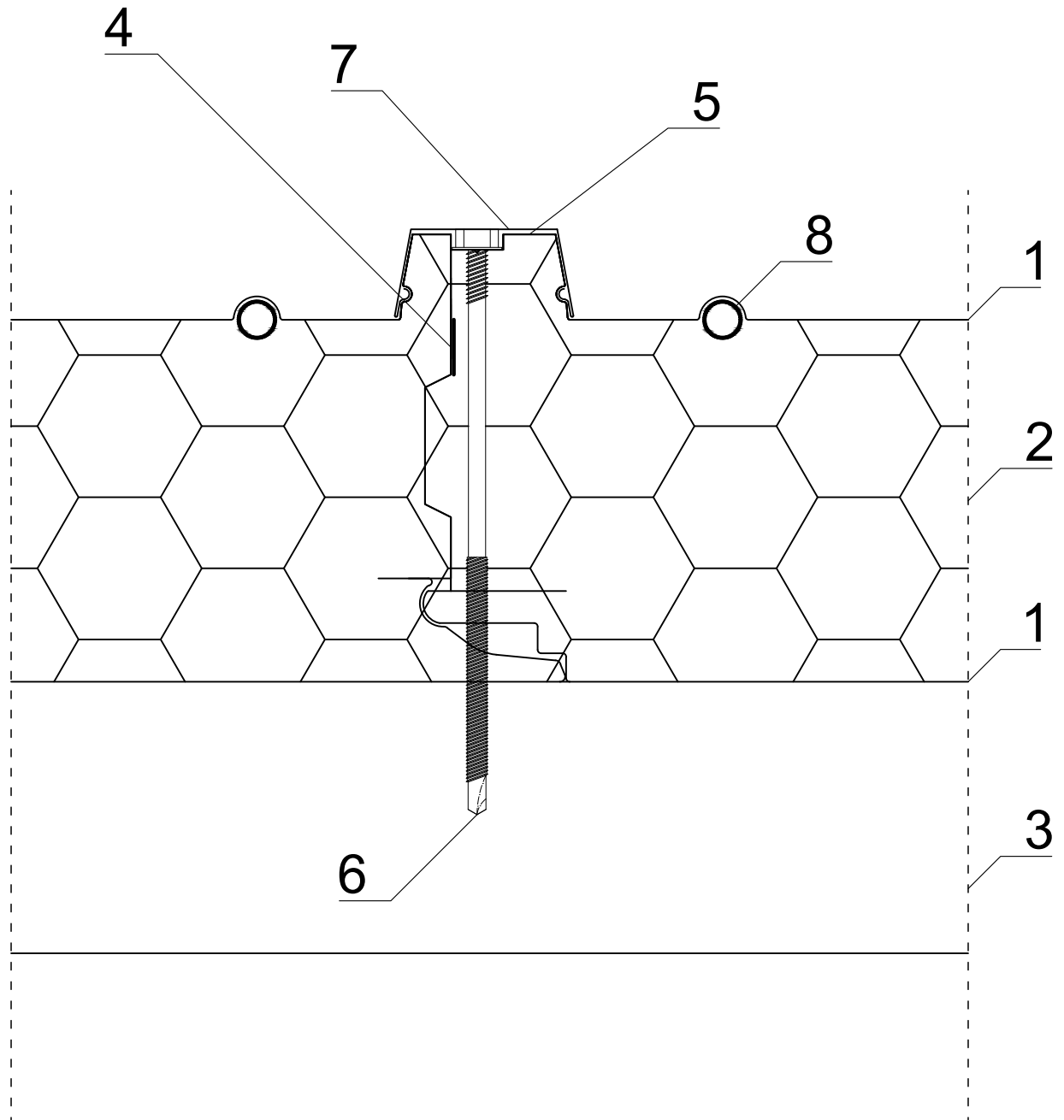
H-Block[®], Thexpan[®], Thermont[®], Frigothex[®]

Energy-saving building systems

Drawing number:

1.4.

Thexpan[®] - connection of insulating roof panels with a hidden connector



1. Galvanized and coated steel sheet
2. Polyurethane foam
3. Purlin
4. Foam tape

5. Sealing tape
6. Fastener
7. Roof clips
8. Heat exchanger



Solcraft Sp. z o.o.

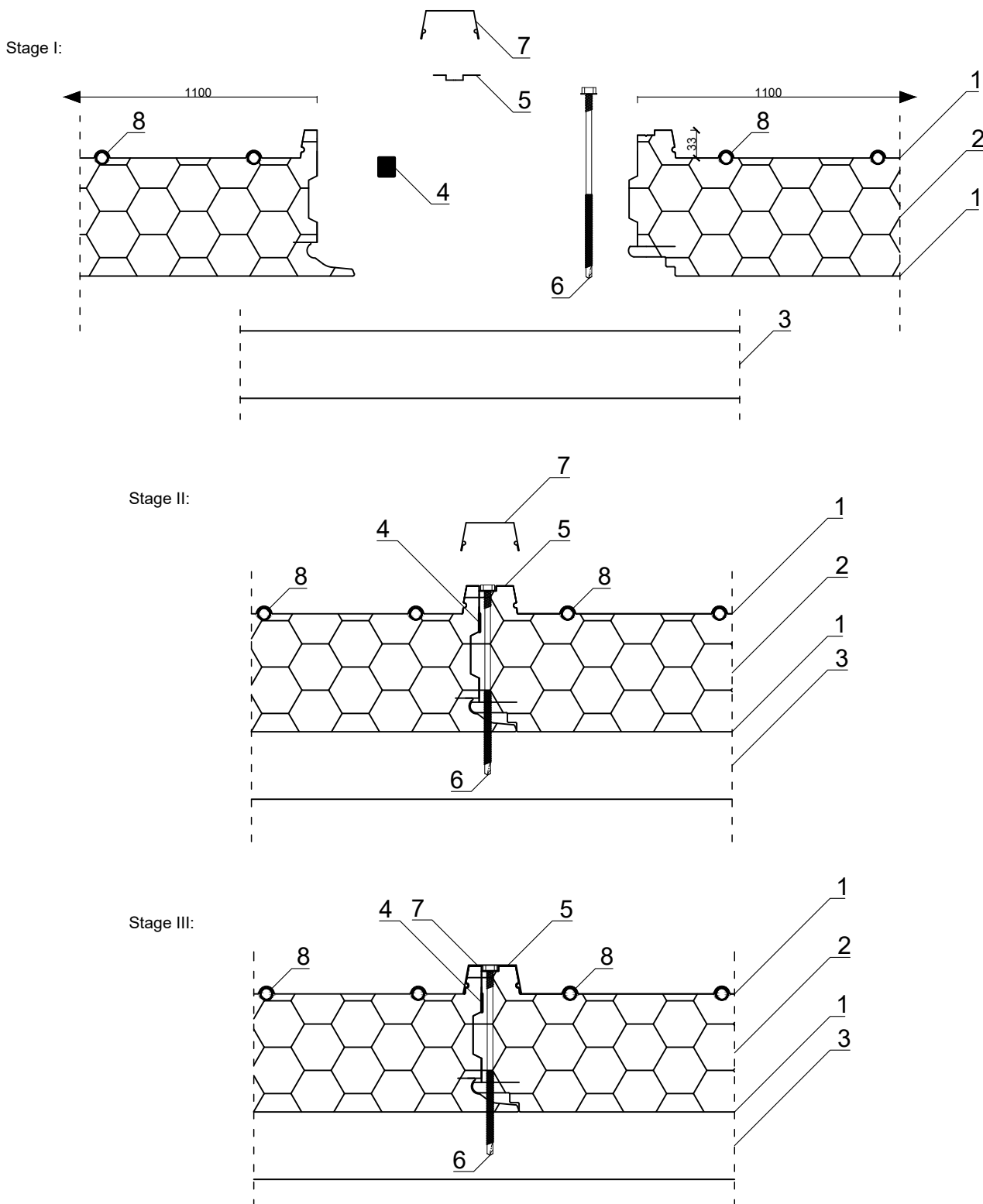
Bogdanka 7f biuro@solcraft.pl
95-060 Brzeziny www.solcraft.pl
tel. +48 22 723 83 27

H-Block[®], Thexpan[®], Thermont[®], Frigothex[®] Drawing number:

Energy-saving building systems

1.5.

Thexpan[®] - diagram of joining insulating roof panels with a hidden connector



1. Galvanized and coated steel sheet
2. Polyurethane foam
3. Purlin
4. Foam tape

5. Sealing tape
6. Fastener
7. Roof clips
8. Heat exchanger



Solcraft Sp. z o.o.

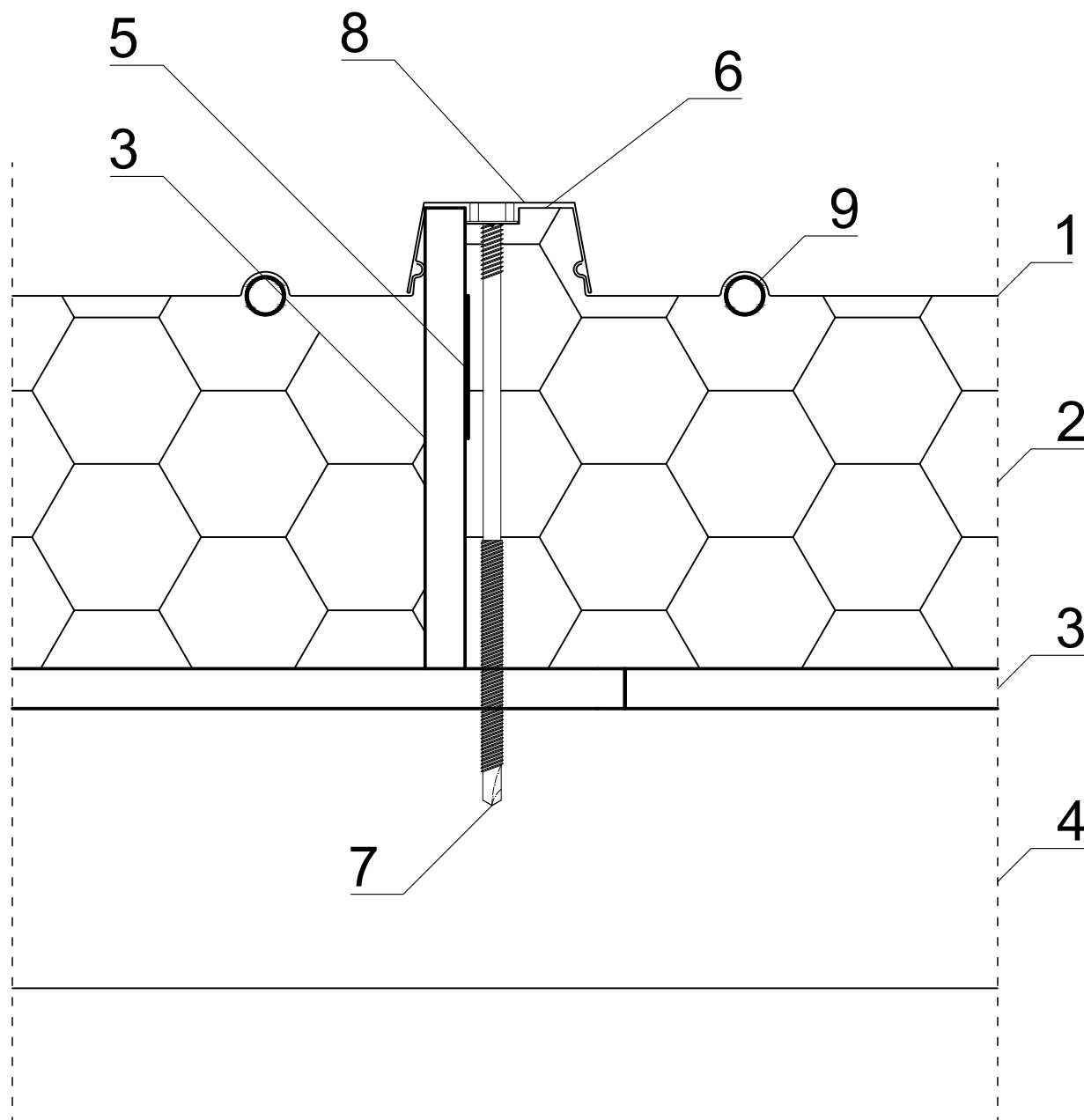
Bogdanka 7f biuro@solcraft.pl
 95-060 Brzeziny www.solcraft.pl
 tel. +48 22 723 83 27

H-Block[®], Thexpan[®], Thermont[®], Frigothex[®] Drawing number:

Energy-saving building systems

1.6.

Thexpan[®]_{plus} - connection of insulating roof panels with a hidden connector



- | | |
|--------------------------------------|-------------------|
| 1. Galvanized and coated steel sheet | 6. Sealing tape |
| 2. Polyurethane foam | 7. Fastener |
| 3. OSB | 8. Roof clips |
| 4. Purlin | 9. Heat exchanger |
| 5. Foam tape | |



Solcraft Sp. z o.o.

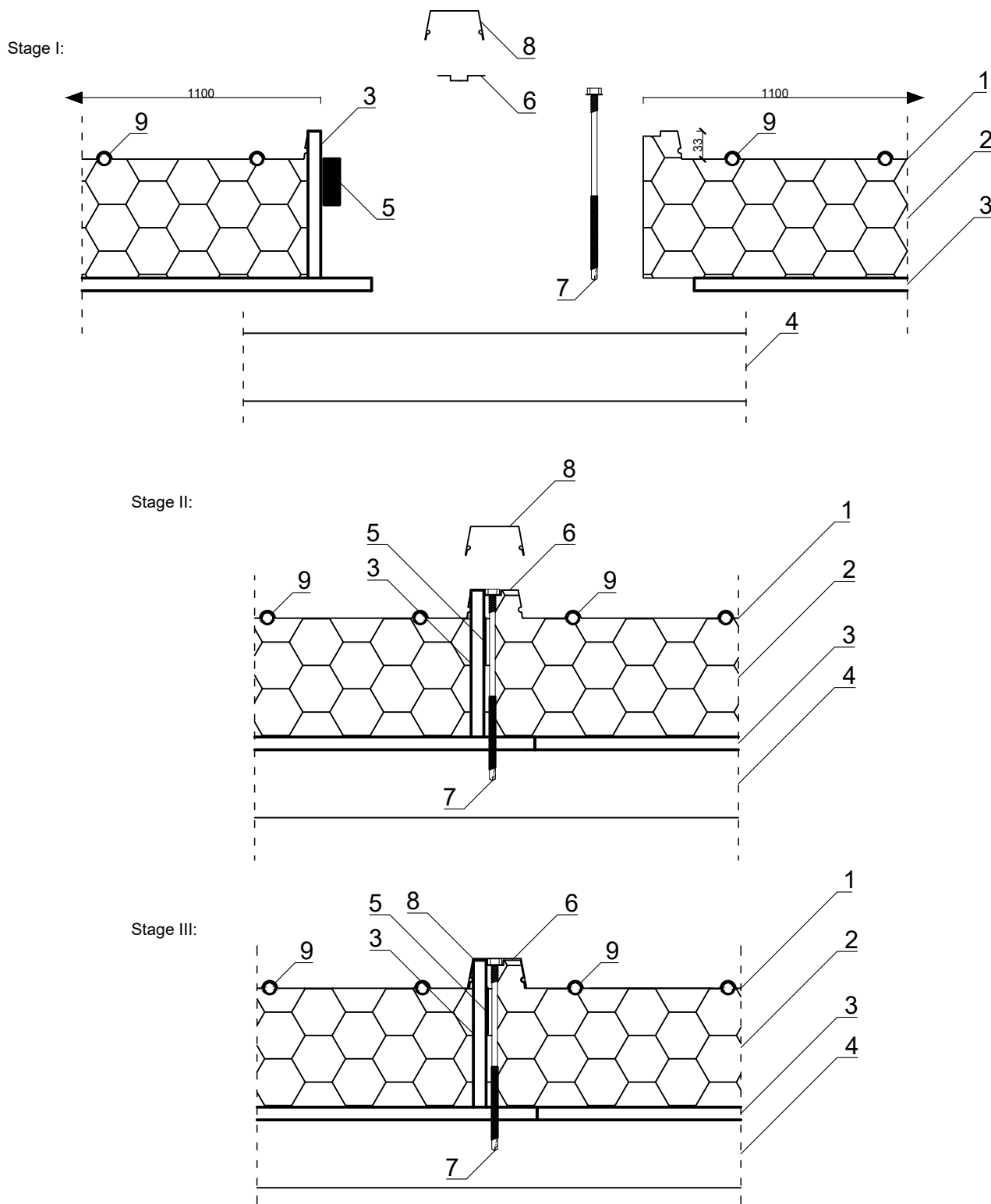
Bogdanka 7f biuro@solcraft.pl
 95-060 Brzeziny www.solcraft.pl
 tel. +48 22 723 83 27

H-Block[®], Thexpan[®], Thermont[®], Frigothex[®] Drawing number:

Energy-saving building systems

1.7.

Thexpan[®]_{plus} - diagram of joining insulating roof panels with a hidden connector



- | | |
|--------------------------------------|-------------------|
| 1. Galvanized and coated steel sheet | 6. Sealing tape |
| 2. Polyurethane foam | 7. Fastener |
| 3. OSB | 8. Roof clips |
| 4. Purlin | 9. Heat exchanger |
| 5. Foam tape | |



Solcraft Sp. z o.o.

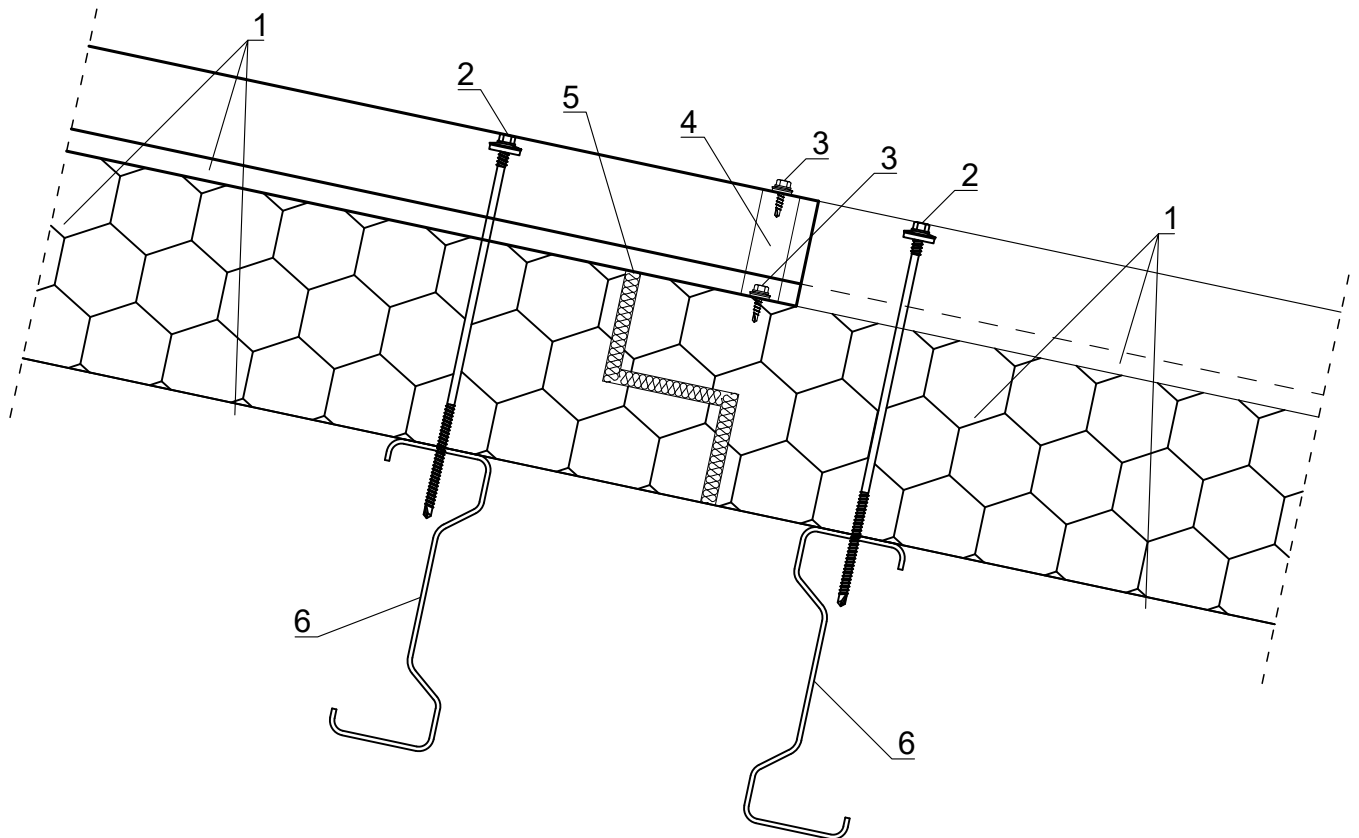
Bogdanka 7f biuro@solcraft.pl
 95-060 Brzeziny www.solcraft.pl
 tel. +48 22 723 83 27

H-Block[®], Thexpan[®], Thermont[®], Frigothex[®] Drawing number:

Energy-saving building systems

1.8.

Connection of Thermont[®] / Thexpan[®] roof panels on the length



1. Thermont[®] / Thexpan[®] panel
2. Fastener
3. Sheet metal screws

4. Butyl gasket
5. Filling with insulating material
6. Steel structure



Solcraft Sp. z o.o.

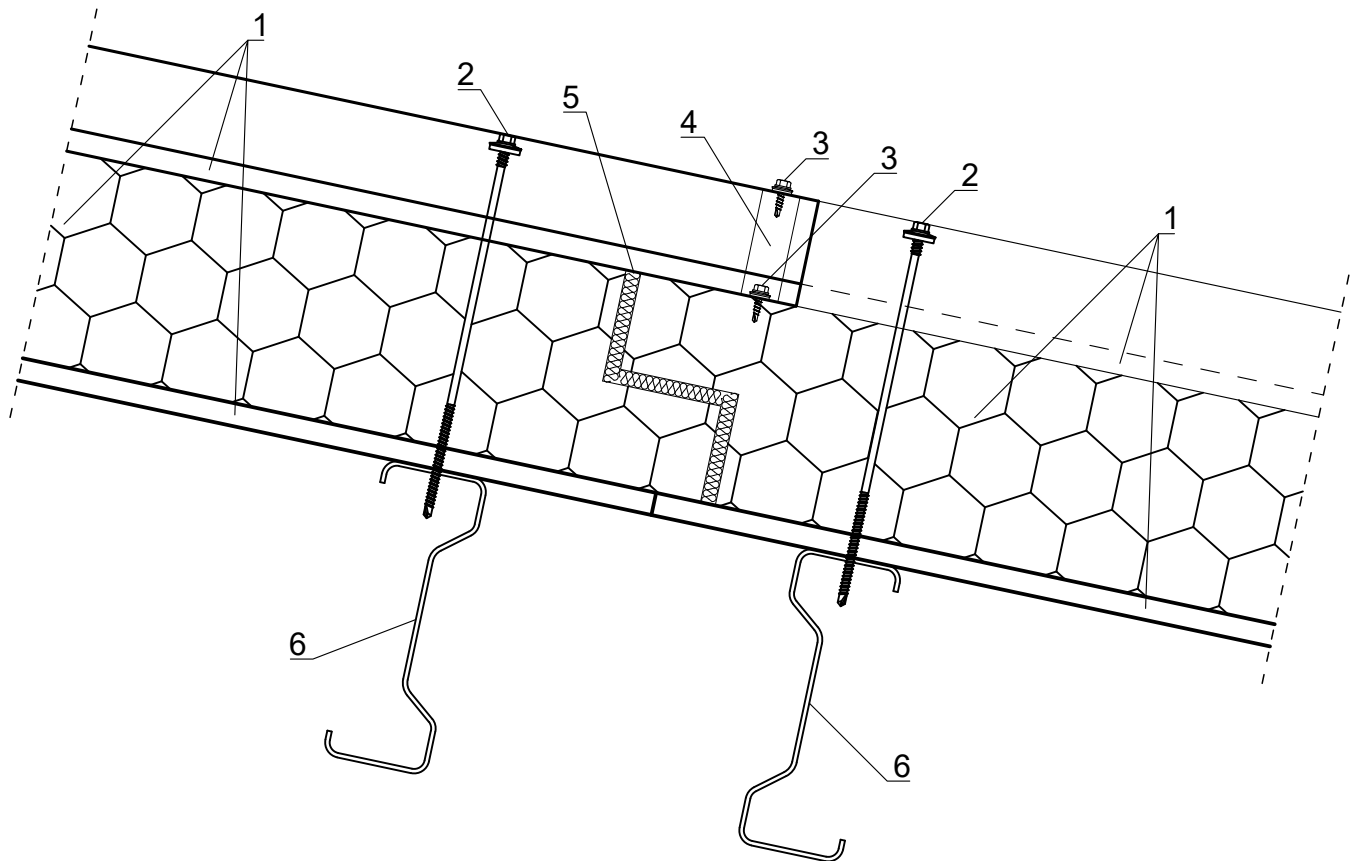
Bogdanka 7f biuro@solcraft.pl
95-060 Brzeziny www.solcraft.pl
tel. +48 22 723 83 27

H-Block[®], Thexpan[®], Thermont[®], Frigothex[®] Drawing number:

Energy-saving building systems

1.9.

Connection of Thermont[®] / Thexpan[®] roof panels on the length



- | | |
|---|-------------------------------------|
| 1. Thermont [®] / Thexpan [®] panel | 4. Butyl gasket |
| 2. Fastener | 5. Filling with insulating material |
| 3. Sheet metal screws | 6. Steel structure |



Solcraft Sp. z o.o.

Bogdanka 7f biuro@solcraft.pl
95-060 Brzeziny www.solcraft.pl
tel. +48 22 723 83 27

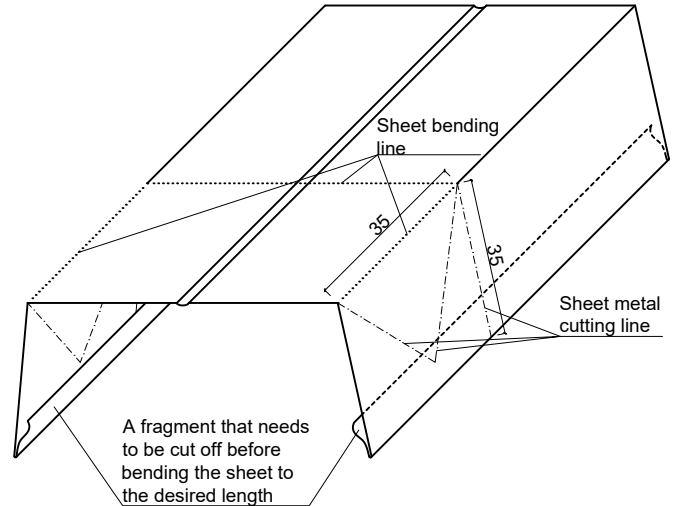
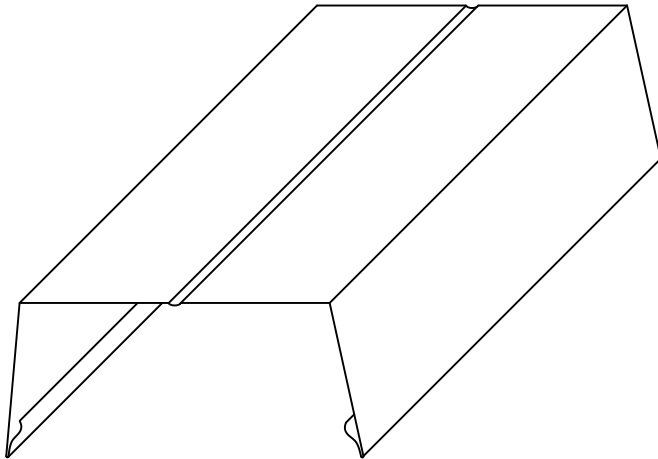
H-Block[®], Thexpan[®], Thermont[®], Frigothex[®] Drawing number:

Energy-saving building systems

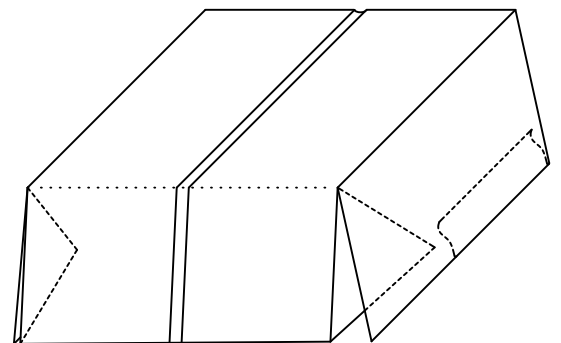
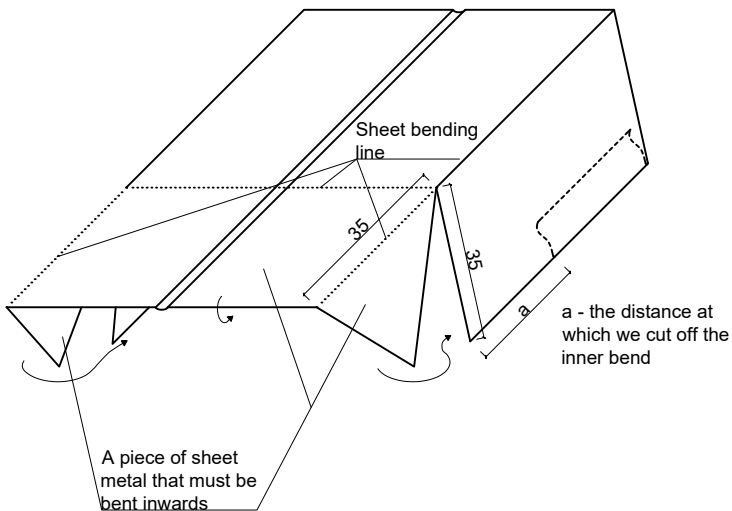
1.10.

End of the roof clip

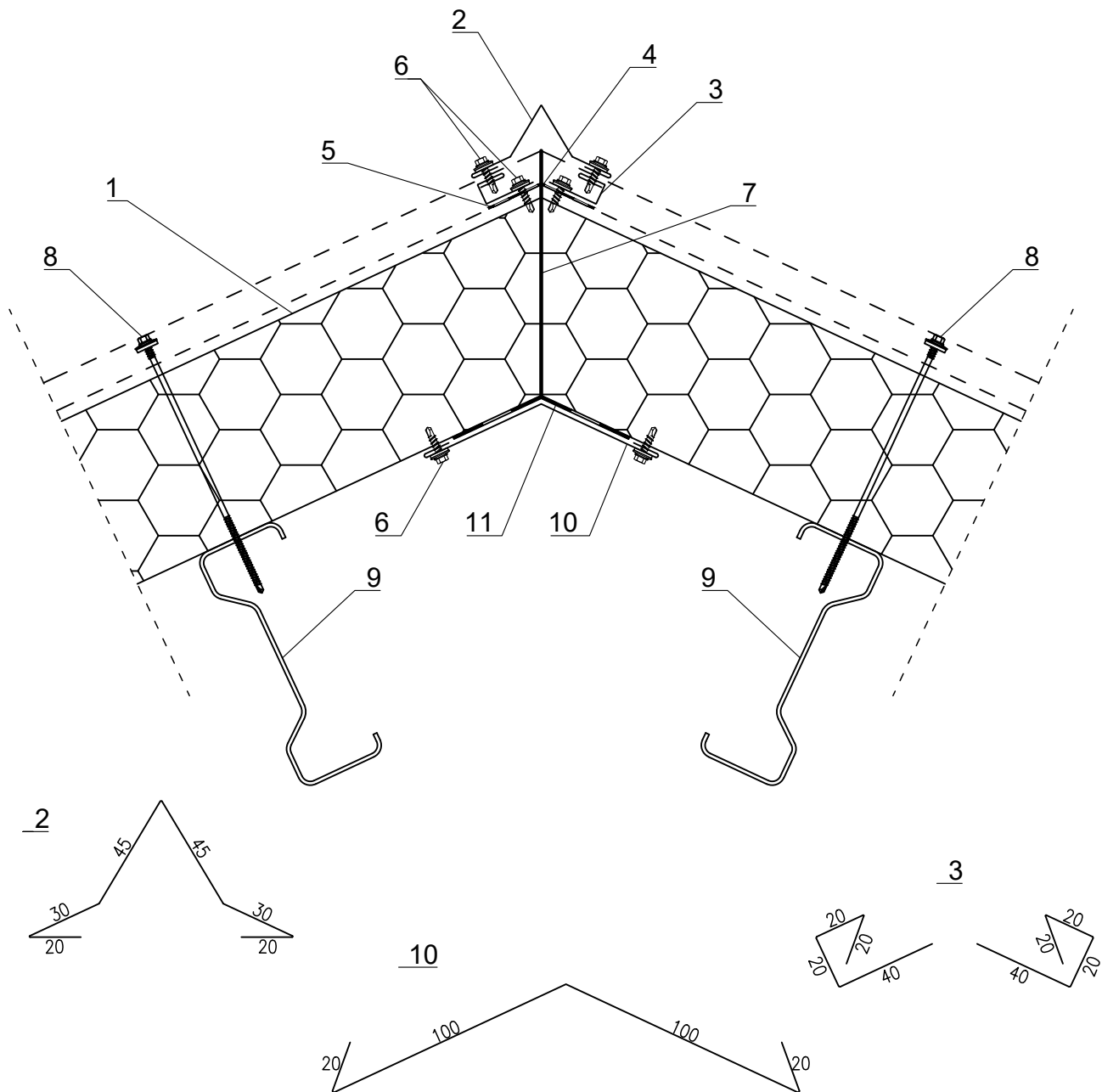
The appearance of the sheet before it is bent inwards



The appearance of the sheet after it is bent to the inside



Connection of Thermont® / Thexpan® roof panels in the ridge - option 1



- | | |
|--|------------------------------------|
| 1. Thexpan® / Thermont® panel | 6. Sheet metal screws |
| 2. Flashing | 7. Sealing |
| 3. Profile filling the space between the clips | 8. Fastener |
| 4. Waterproofing | 9. Steel structure |
| 5. Expanding tape | 10. Flashing |
| | 11. Tape of the vapor barrier foil |



Solcraft Sp. z o.o.

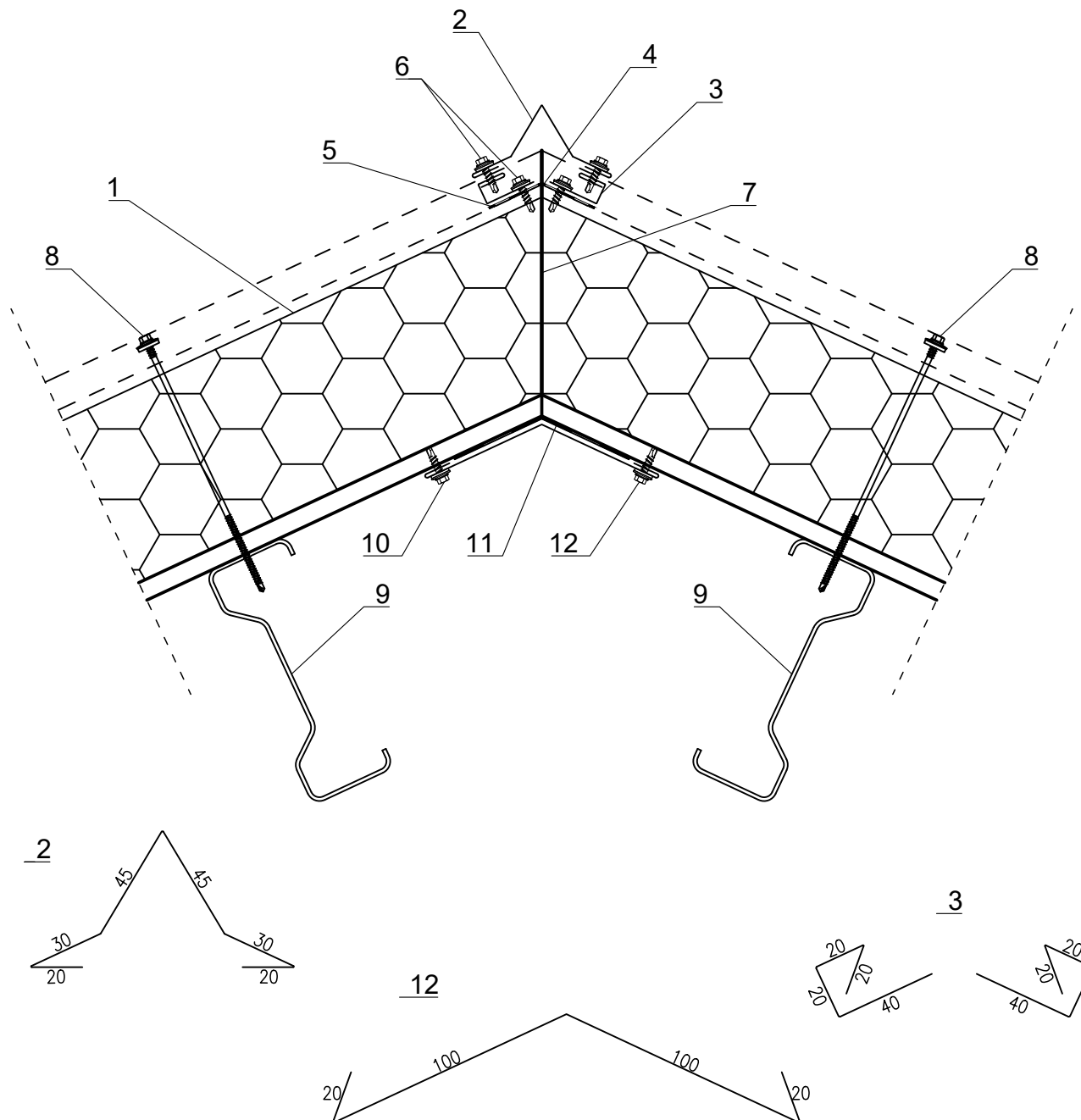
Bogdanka 7f biuro@solcraft.pl
95-060 Brzeziny www.solcraft.pl
tel. +48 22 723 83 27

H-Block®, Thexpan®, Thermont®, Frigothex® Drawing number:

Energy-saving building systems

3.1.

Connection of Thermont[®]_{plus} / Thexpan[®]_{plus} roof panels in the ridge - option 1



- | | |
|---|---|
| 1. Thexpan [®] _{plus} / Thermont [®] _{plus} panel | 7. Sealing |
| 2. Flashing | 8. Fastener |
| 3. Profile filling the space between the clips | 9. Steel structure |
| 4. Waterproofing | 10. Screw for joining sheet metal with wood |
| 5. Expanding tape | 11. Tape of the vapor barrier foil |
| 6. Sheet metal screws | 12. Flashing |



Solcraft Sp. z o.o.

Bogdanka 7f biuro@solcraft.pl
 95-060 Brzeziny www.solcraft.pl
 tel. +48 22 723 83 27

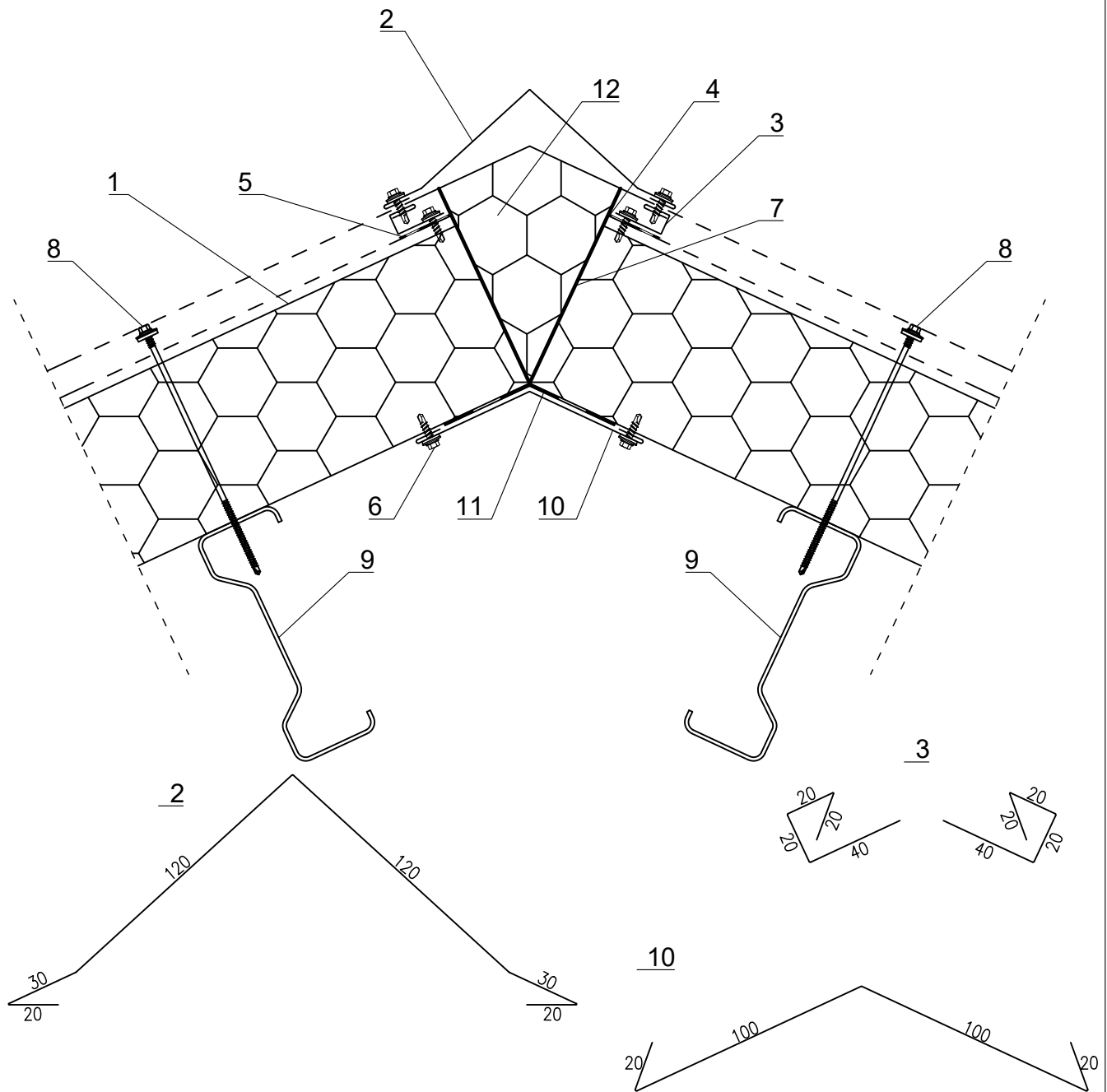
H-Block[®], Thexpan[®], Thermont[®], Frigothex[®]

Energy-saving building systems

Drawing number:

3.2.

Connection of Thermont® / Thexpan® roof panels in the ridge - option 2



- | | |
|--|------------------------------------|
| 1. Thexpan® / Thermont® panel | 7. Sealing |
| 2. Flashing | 8. Fastener |
| 3. Profile filling the space between the clips | 9. Steel structure |
| 4. Waterproofing | 10. Flashing |
| 5. Expanding tape | 11. Tape of the vapor barrier foil |
| 6. Sheet metal screws | 12. Polyutethane wedge |



Solcraft Sp. z o.o.

Bogdanka 7f biuro@solcraft.pl
95-060 Brzeziny www.solcraft.pl
tel. +48 22 723 83 27

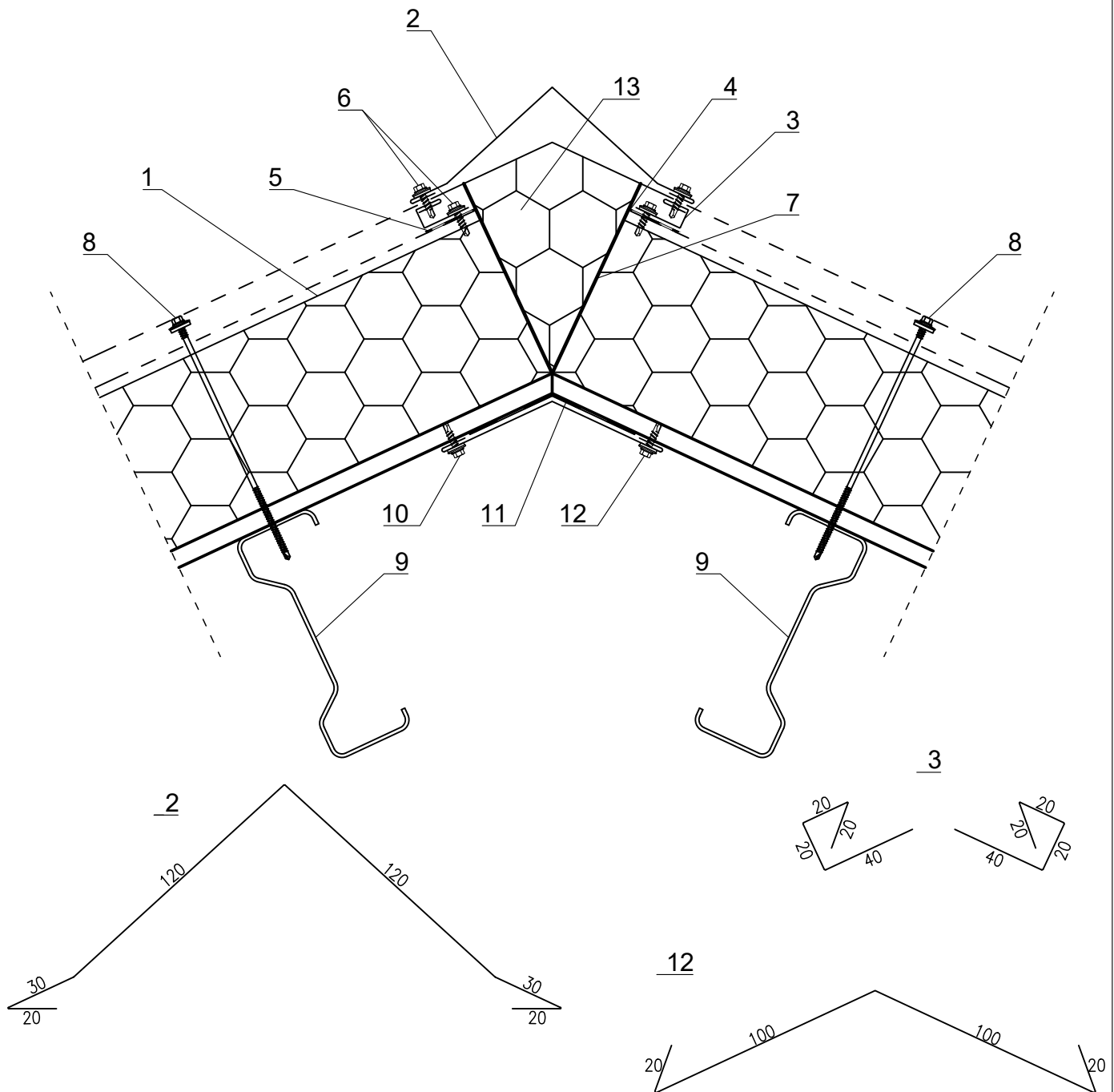
H-Block®, Thexpan®, Thermont®, Frigothex®

Energy-saving building systems

Drawing number:

3.3.

Connection of Thermo[®]mont[®] plus / Thexpan[®] plus roof panels in the ridge - option 2



- | | |
|--|---|
| 1. Thexpan [®] / Thermo [®] mont [®] plus panel | 8. Fastener |
| 2. Flashing | 9. Steel structure |
| 3. Profile filling the space between the clips | 10. Screw for joining sheet metal with wood |
| 4. Waterproofing | 11. Tape of the vapor barrier foil |
| 5. Expanding tape | 12. Flashing |
| 6. Sheet metal screws | 13. Polyurethane wedge |
| 7. Sealing | |



Solcraft Sp. z o.o.

Bogdanka 7f biuro@solcraft.pl
95-060 Brzeziny www.solcraft.pl
tel. +48 22 723 83 27

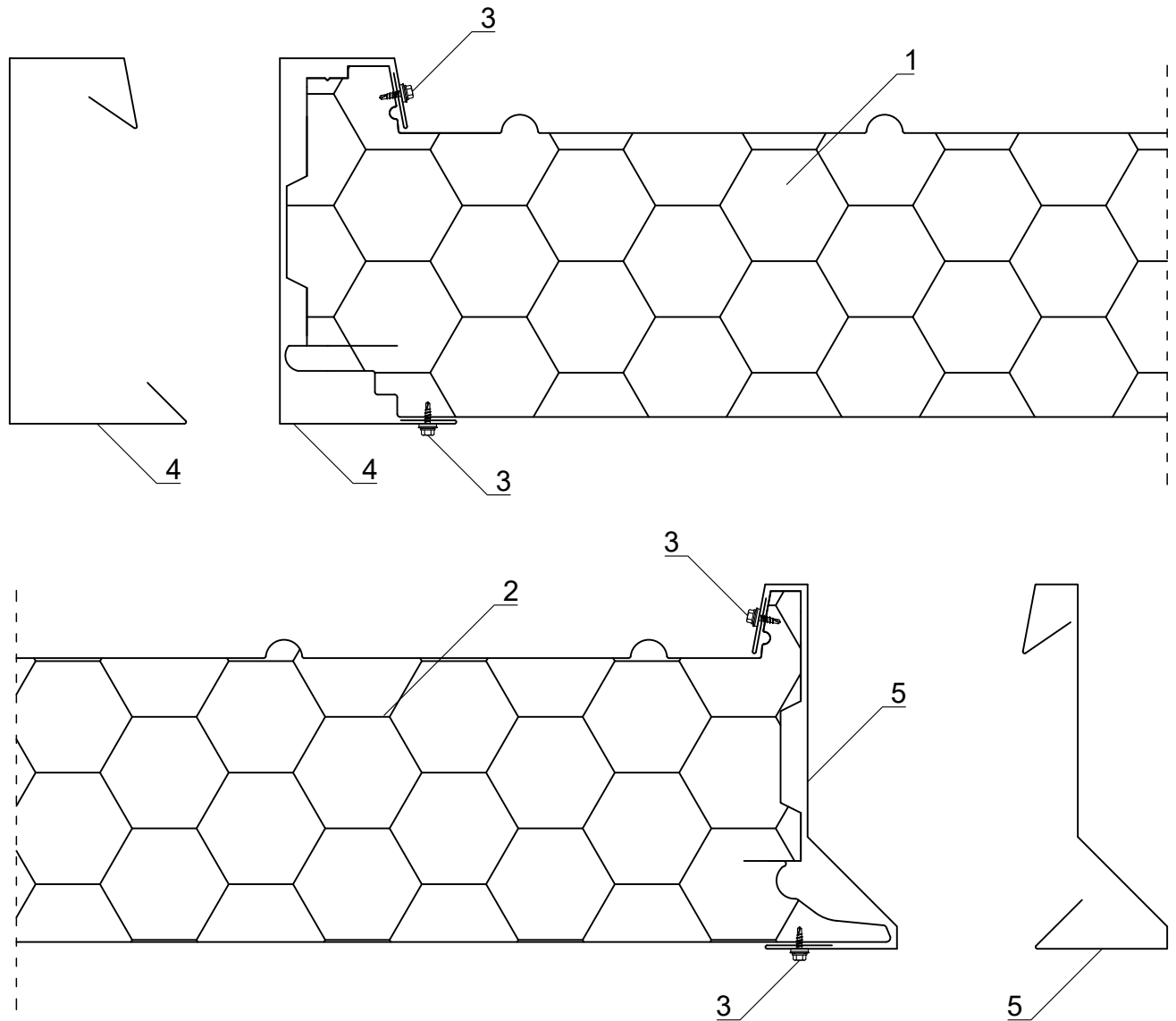
H-Block[®], Thexpan[®], Thermo[®]mont[®], Frigothex[®]

Energy-saving building systems

Drawing number:

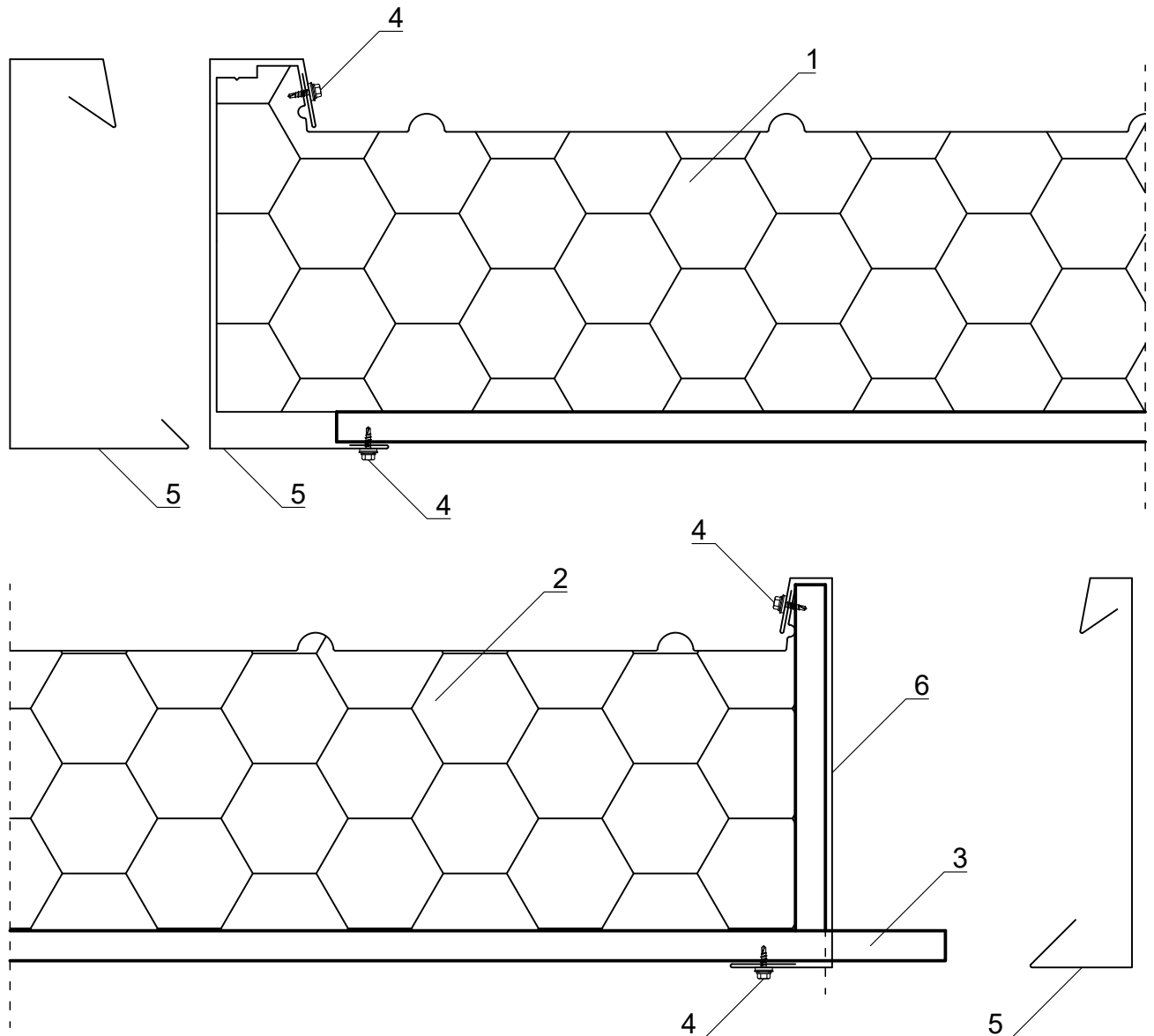
3.4.

Thermont[®] / Thexpan[®] - end of the roof plate in the wind brace



- | | |
|-----------------------|--------------------------------|
| 1. Right roof plate | 4. Wind brace flashing (right) |
| 2. Left roof plate | 5. Wind brace flashing (left) |
| 3. Sheet metal screws | |

Thermont[®]_{plus} / Thexpan[®]_{plus} - end of the roof plate in the wind brace



- | | |
|------------------------------|--------------------------------|
| 1. Right roof plate | 4. Sheet metal screws |
| 2. Left roof plate | 5. Wind brace flashing (right) |
| 3. Part of the OSB to be cut | 6. Wind brace flashing (left) |



Solcraft Sp. z o.o.

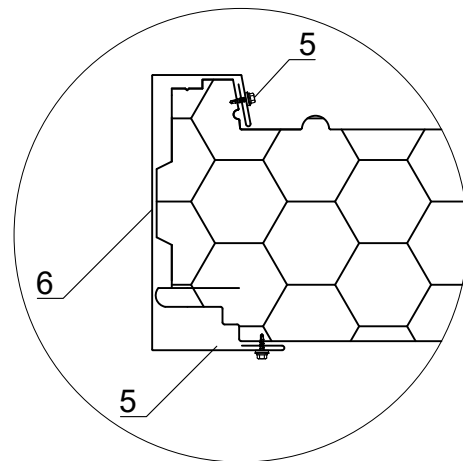
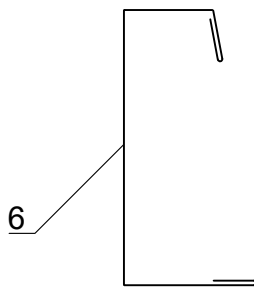
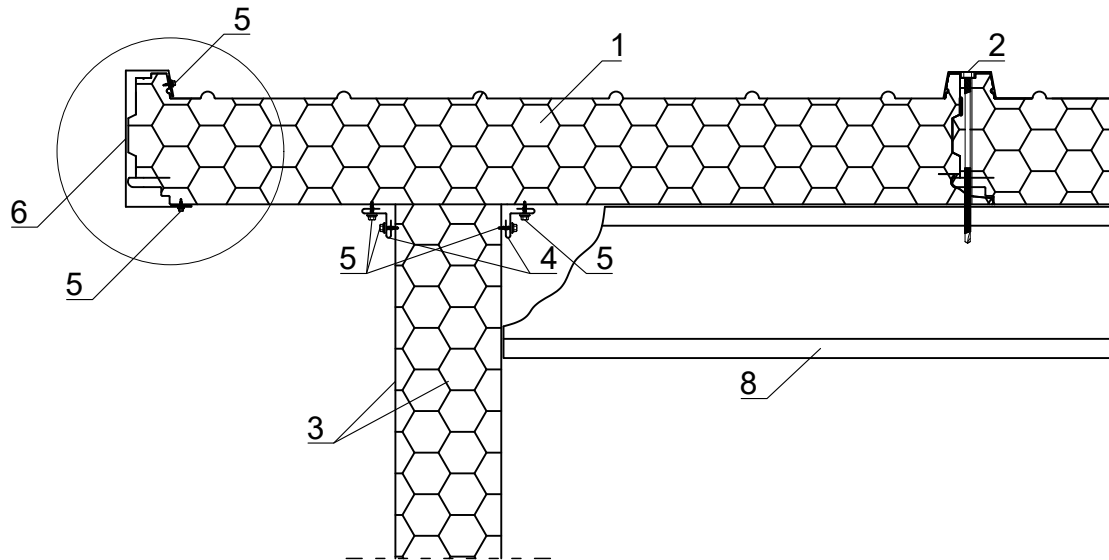
Bogdanka 7f biuro@solcraft.pl
 95-060 Brzeziny www.solcraft.pl
 tel. +48 22 723 83 27

H-Block[®], Thexpan[®], Thermont[®], Frigothex[®] Drawing number:

Energy-saving building systems

4.2.

Thermont[®] / Thexpan[®] - end of the right roof plate in the wind brace



- | | |
|---|--------------------------------|
| 1. Thermont [®] / Thexpan [®] panel (right) | 5. Sheet metal screws |
| 2. Fastener | 6. Wind brace flashing (prawa) |
| 3. Sandwich panel | 7. Wind brace flashing (left) |
| 4. Flashing | 8. Steel structure |



Solcraft Sp. z o.o.

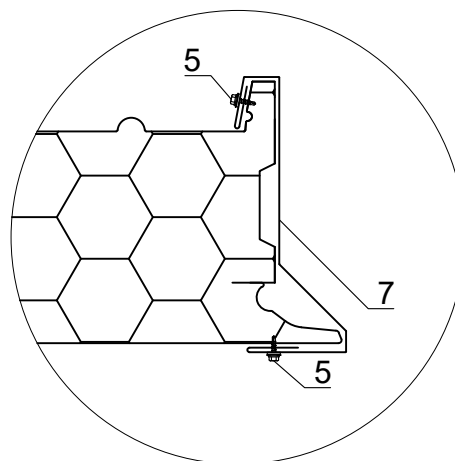
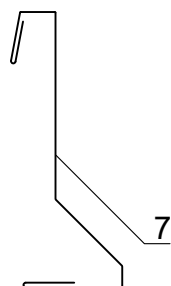
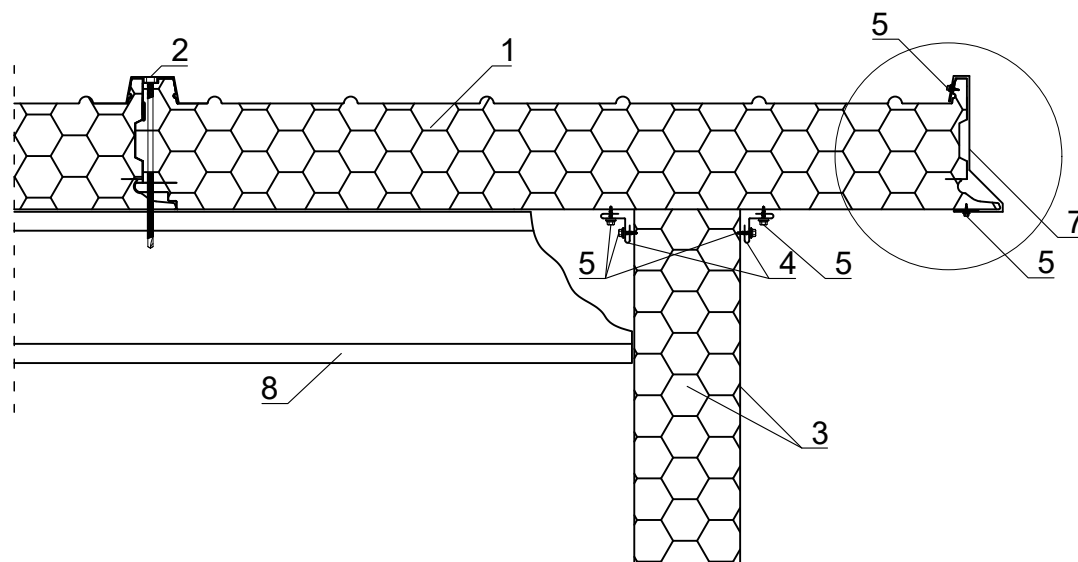
Bogdanka 7f biuro@solcraft.pl
 95-060 Brzeziny www.solcraft.pl
 tel. +48 22 723 83 27

H-Block[®], Thexpan[®], Thermont[®], Frigothex[®] Drawing number:

Energy-saving building systems

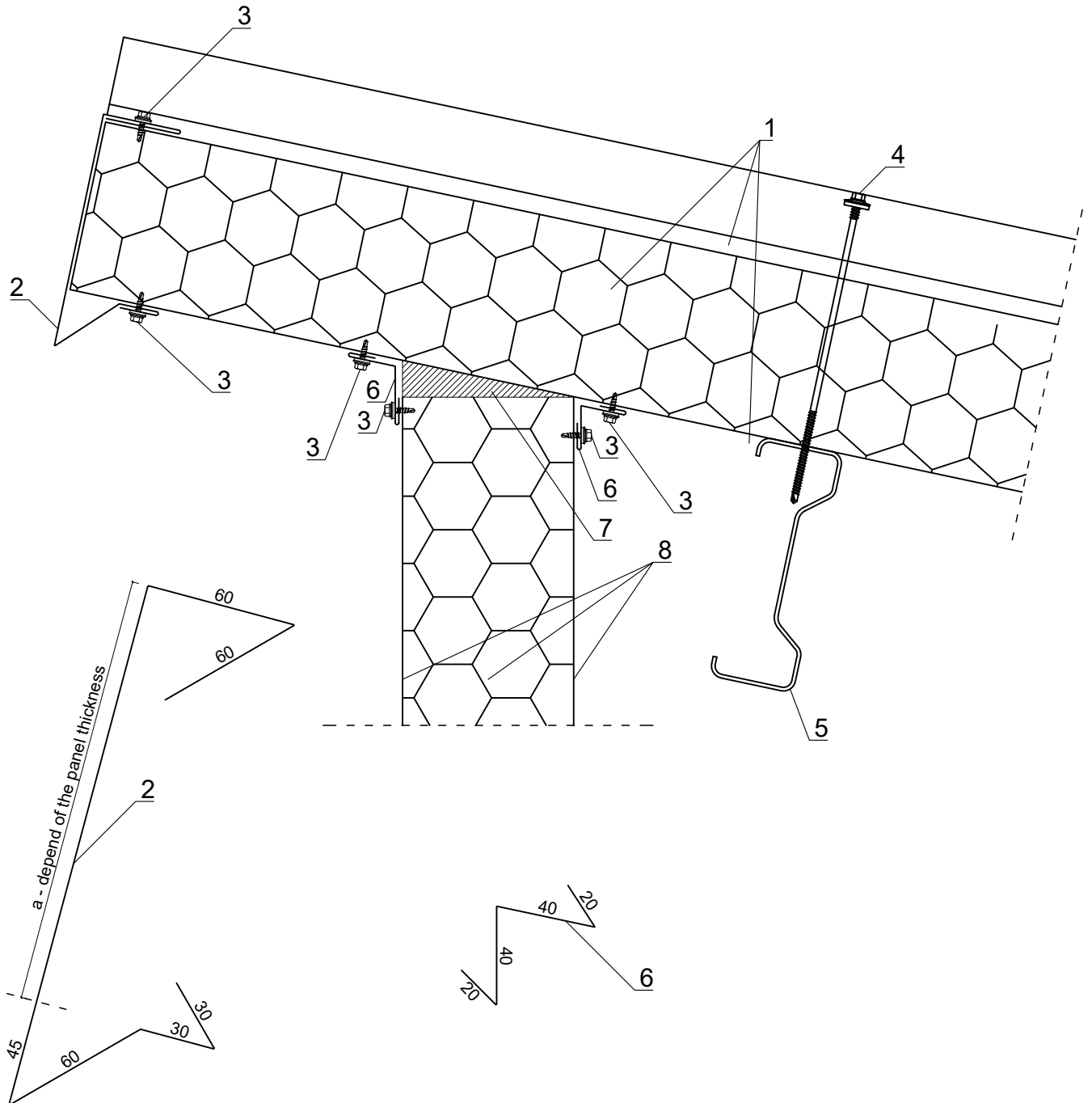
4.3.

Thermont[®] / Thexpan[®] - end of the left roof plate in the wind brace



- | | |
|---|--------------------------------|
| 1. Thermont [®] / Thexpan [®] panel (right) | 5. Sheet metal screws |
| 2. Fastener | 6. Wind brace flashing (prawa) |
| 3. Sandwich panel | 7. Wind brace flashing (left) |
| 4. Flashing | 8. Steel structure |

Ending of the Thermont® / Thexpan® panel in a shed roof at the top of the building



- | | |
|-------------------------------|-------------------------------------|
| 1. Thermont® / Thexpan® panel | 5. Steel structure |
| 2. Top Flashing | 6. Flashing |
| 3. Sheet metal screws | 7. Filling with insulating material |
| 4. Fastener | 8. Sandwich panel |



Solcraft Sp. z o.o.

Bogdanka 7f biuro@solcraft.pl
 95-060 Brzeziny www.solcraft.pl
 tel. +48 22 723 83 27

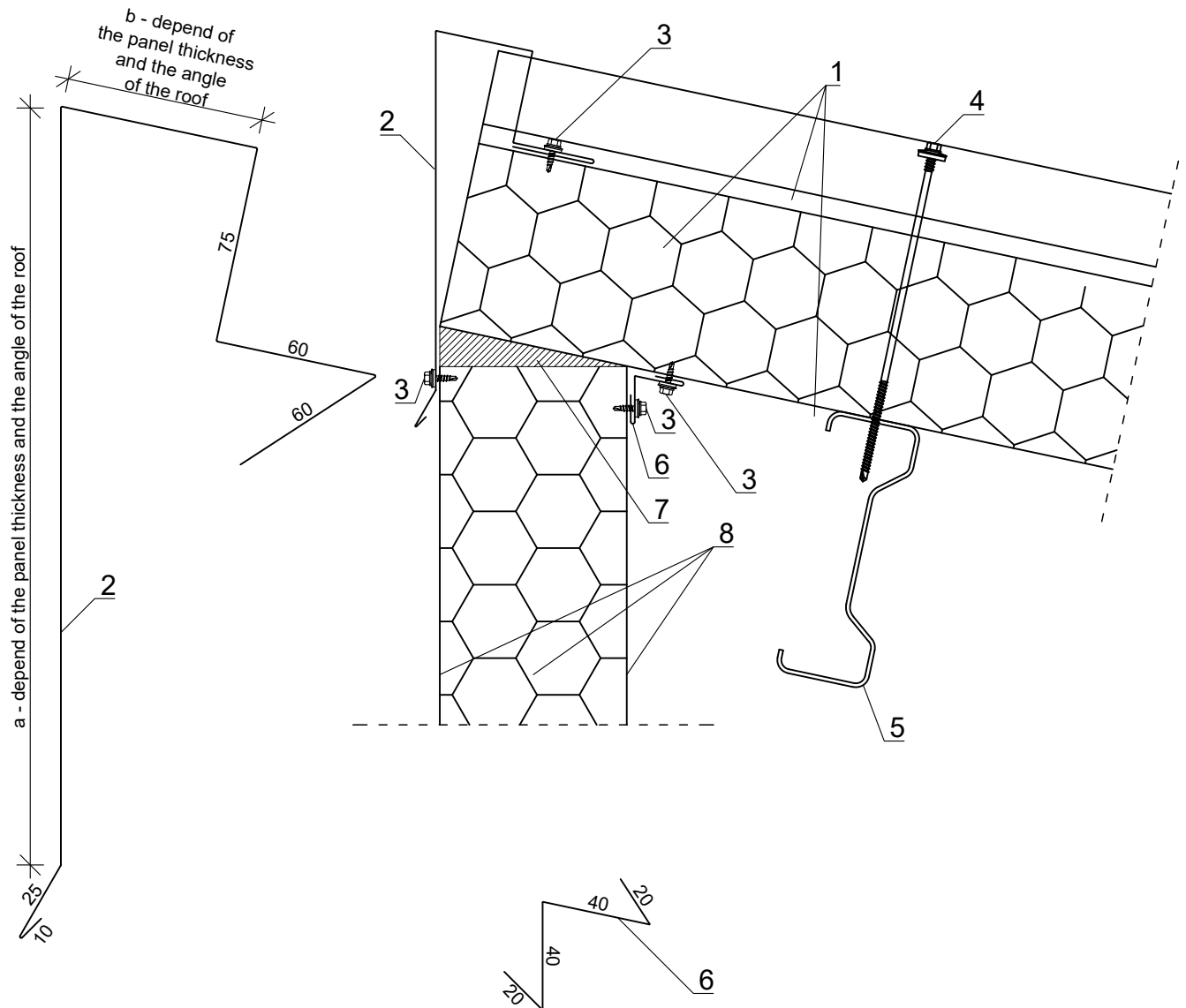
H-Block®, Thexpan®, Thermont®, Frigothex®

Energy-saving building systems

Drawing number:

4.5.

Ending of the Thermont® / Thexpan® roof panel without eaves with wall plate - option 1



1. Thermont® / Thexpan® panel
2. Flashing
3. Sheet metal screws
4. Fastener

5. Steel structure
6. Flashing
7. Filling with insulating material
8. Sandwich panel



Solcraft Sp. z o.o.

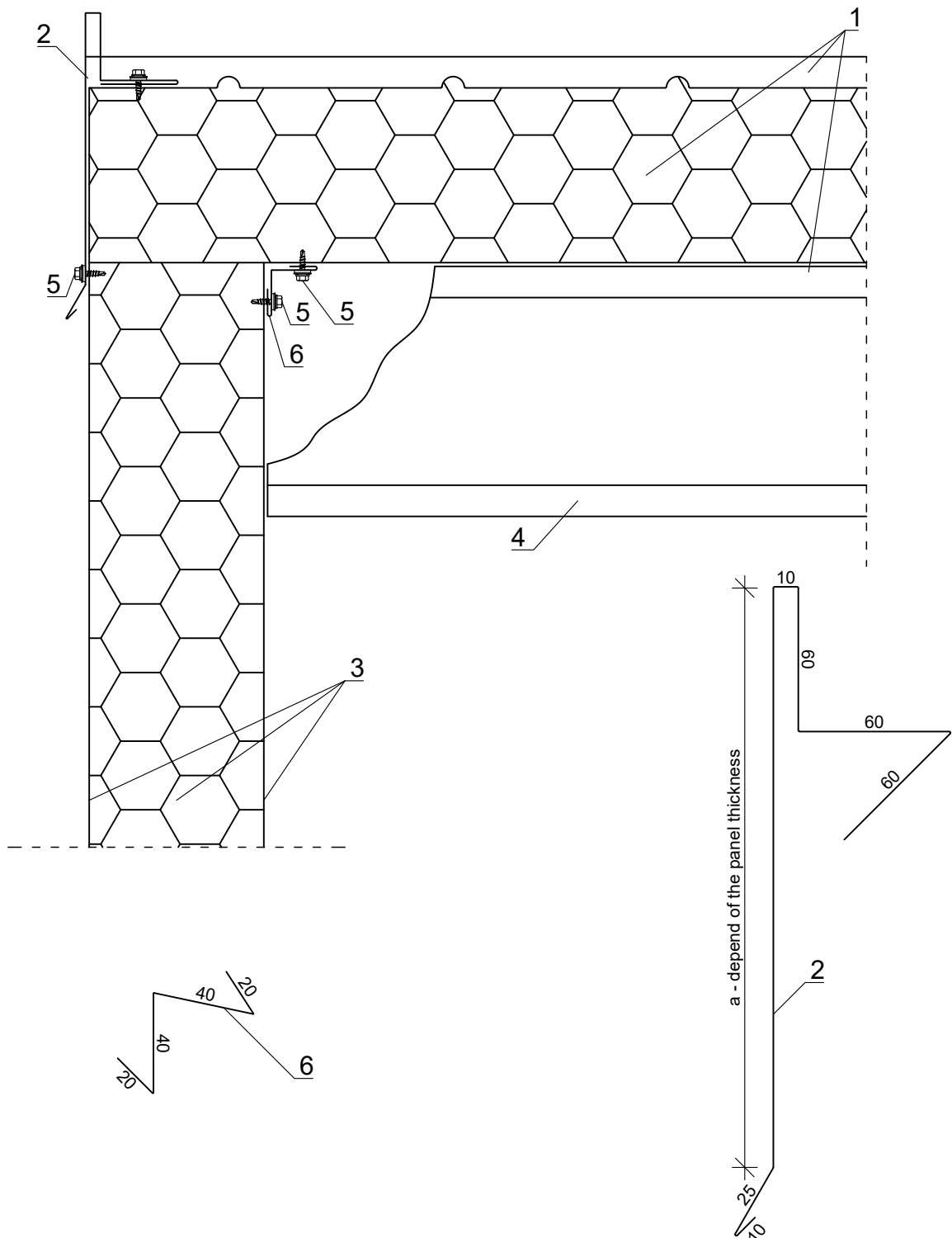
Bogdanka 7f biuro@solcraft.pl
 95-060 Brzeziny www.solcraft.pl
 tel. +48 22 723 83 27

H-Block®, Thexpan®, Thermont®, Frigothex® Drawing number:

Energy-saving building systems

4.6.

Ending of the Thermont® / Thexpan® roof panel without eaves with wall plate - option 2



- 1. Thermont® / Thexpan® panel
- 2. Flashing
- 3. Sandwich panel

- 4. Steel structure
- 5. Sheet metal screws
- 6. Flashing



Solcraft Sp. z o.o.

Bogdanka 7f biuro@solcraft.pl
 95-060 Brzeziny www.solcraft.pl
 tel. +48 22 723 83 27

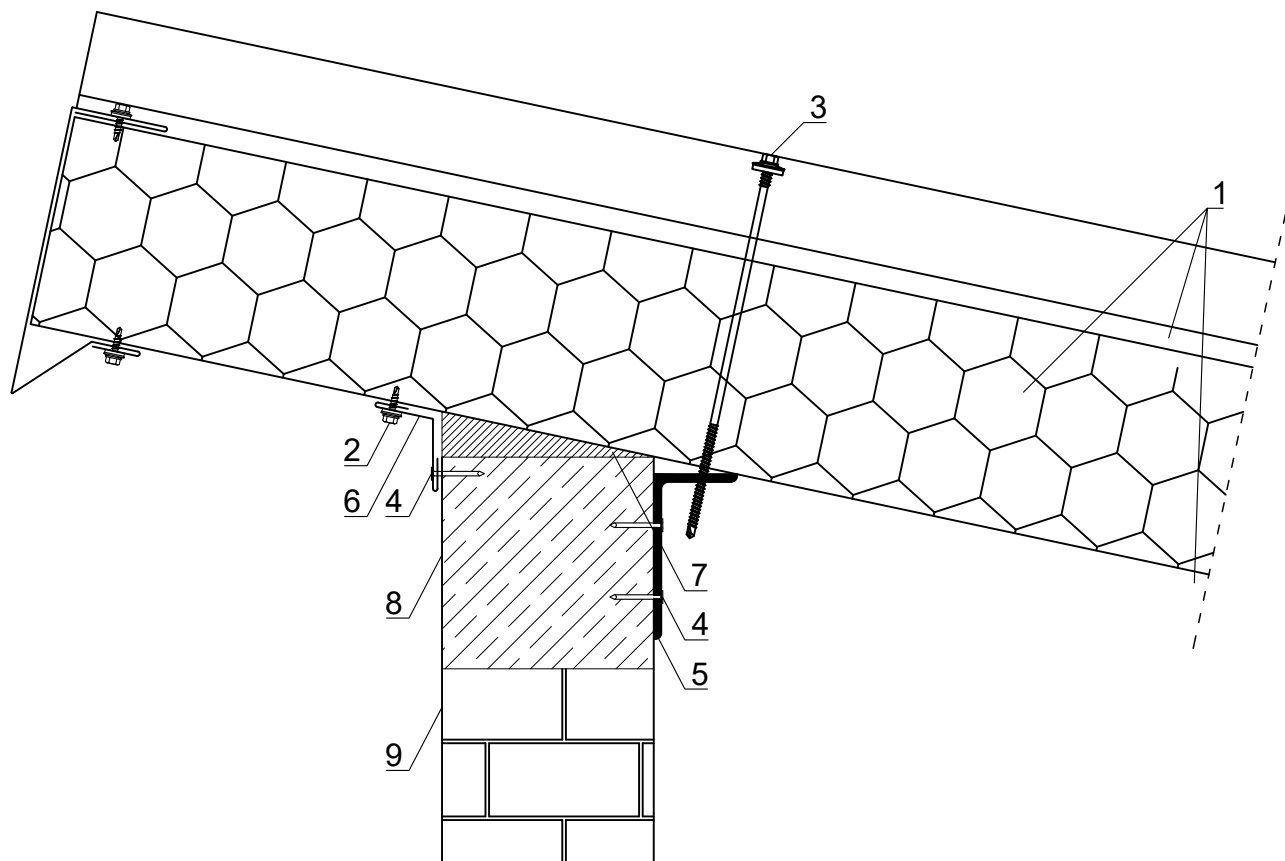
H-Block®, Thexpan®, Thermont®, Frigothex®

Energy-saving building systems

Drawing number:

4.7.

Fastening Thermont® / Thexpan® roof panel to the brick wall



- | | |
|-------------------------------|-------------------------------------|
| 1. Thermont® / Thexpan® panel | 6. Fixing |
| 2. Sheet metal screws | 7. Filling with insulating material |
| 3. Fastener | 8. Tie beam |
| 4. Brick connector | 9. Brick wall |
| 5. Steel structure | |



Solcraft Sp. z o.o.

Bogdanka 7f biuro@solcraft.pl
95-060 Brzeziny www.solcraft.pl
tel. +48 22 723 83 27

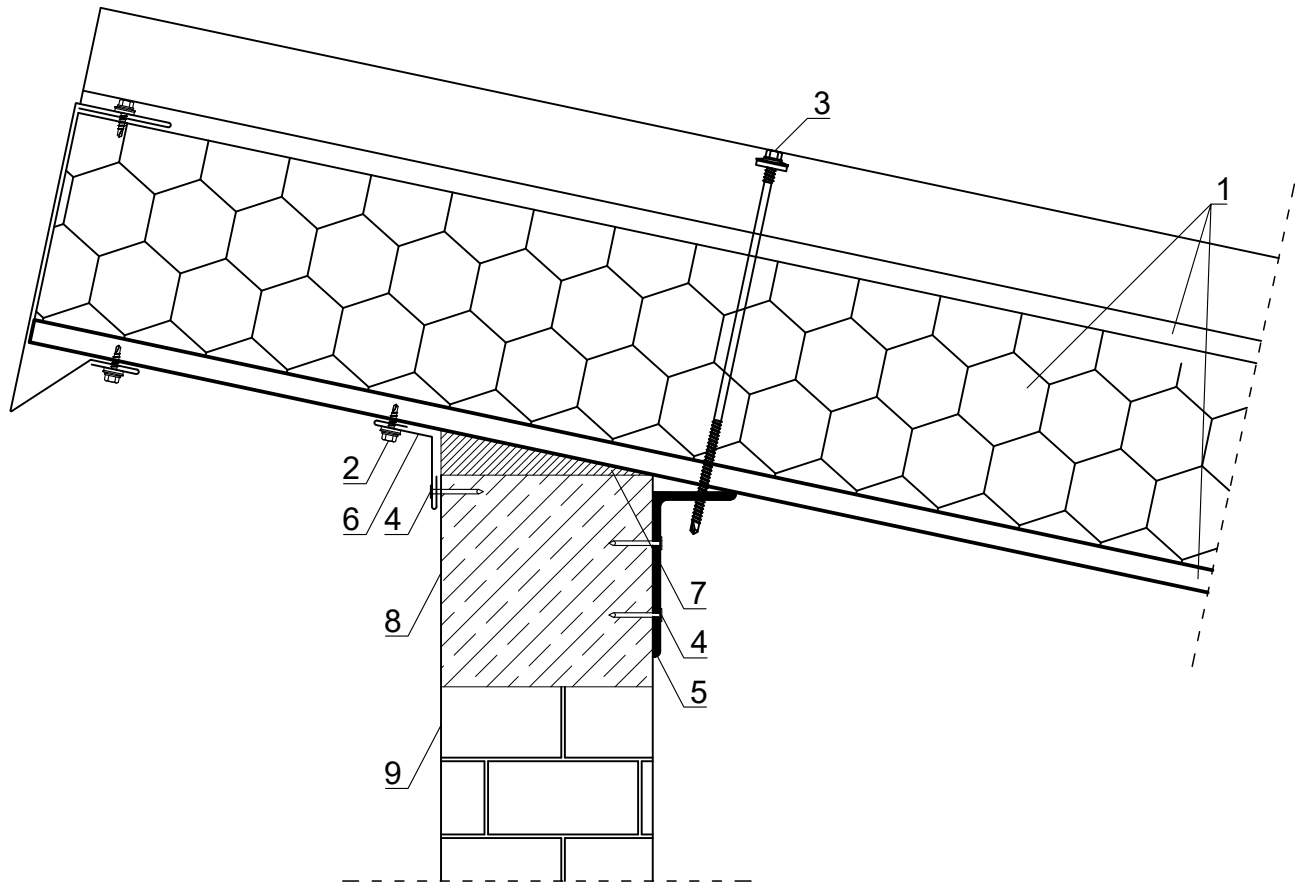
H-Block®, Thexpan®, Thermont®, Frigothex®

Energy-saving building systems

Drawing number:

6.1.

Fastening Thermont[®] / Thexpan[®]_{plus} roof panel to the brick wall



- | | |
|---|-------------------------------------|
| 1. Thermont [®] / Thexpan [®] _{plus} panel | 6. Fastening |
| 2. Screw for joining sheet metal with wood | 7. Filling with insulating material |
| 3. Sheet metal screws | 8. Tie beam |
| 4. Brick connector | 9. Brick wall |
| 5. Steel structure | |



Solcraft Sp. z o.o.

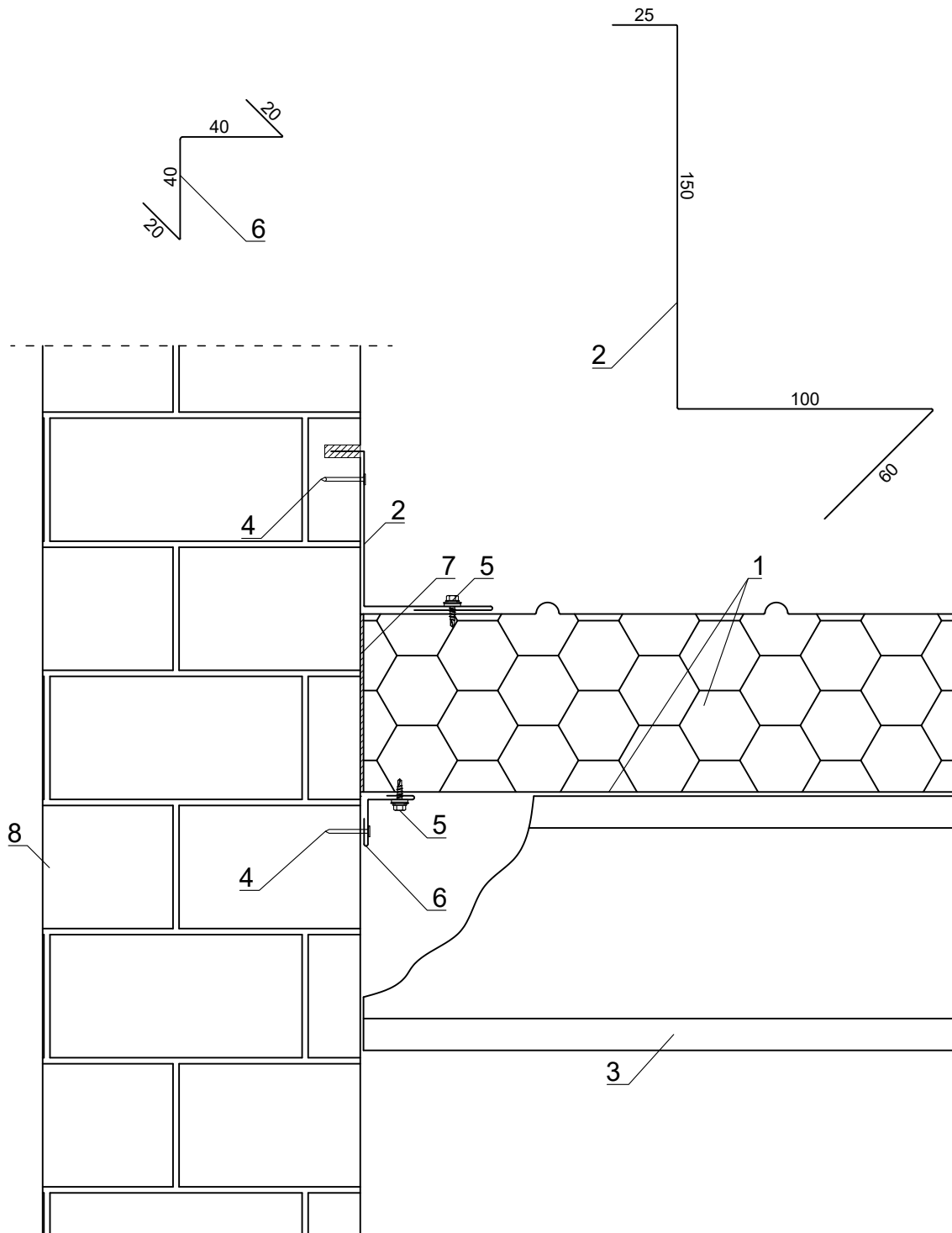
Bogdanka 7f biuro@solcraft.pl
95-060 Brzeziny www.solcraft.pl
tel. +48 22 723 83 27

H-Block[®], Thexpan[®], Thermont[®], Frigothex[®] Drawing number:

Energy-saving building systems

6.2.

Fastening Thermont[®] / Thexpan[®] roof panel to the brick wall (along the edge parallel to the roof slope)



- | | |
|---|-------------------------------------|
| 1. Thermont [®] / Thexpan [®] panel | 5. Sheet metal screws |
| 2. Flashing | 6. Flashing |
| 3. Steel structure | 7. Filling with insulating material |
| 4. Brick connector | 8. Brick wall |



Solcraft Sp. z o.o.

Bogdanka 7f biuro@solcraft.pl
 95-060 Brzeziny www.solcraft.pl
 tel. +48 22 723 83 27

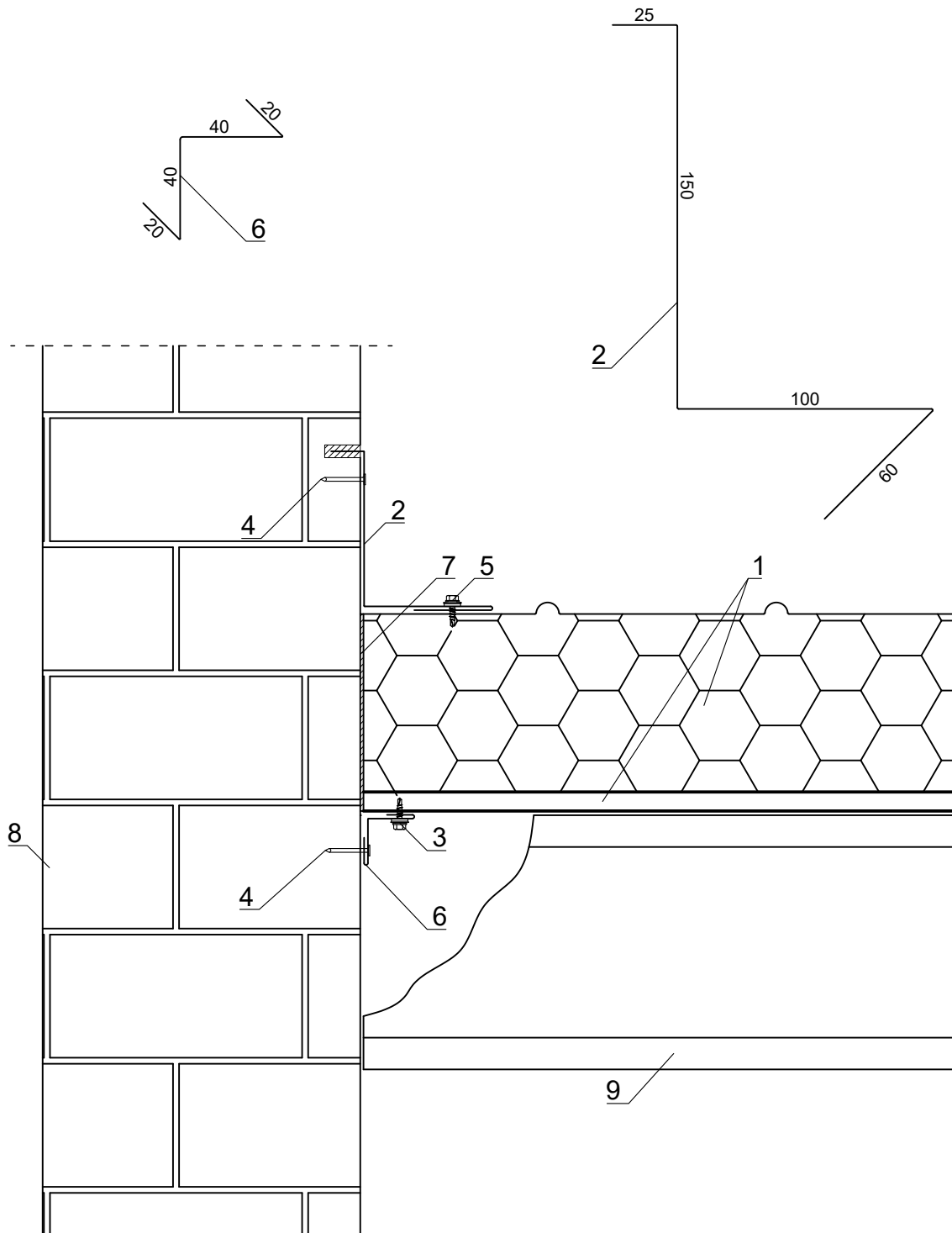
H-Block[®], Thexpan[®], Thermont[®], Frigothex[®]

Energy-saving building systems

Drawing number:

6.3.

Połączenie płyty dachowej Thermont[®] / Thexpan[®] plus[®] roof panel to the brick wall (along the edge parallel to the roof slope)



- | | |
|---|-------------------------------------|
| 1. Thermont [®] / Thexpan [®] plus [®] panel | 6. Flashing |
| 2. Flashening | 7. Filling with insulating material |
| 3. Screw for joining sheet metal with wood | 8. Brick wall |
| 4. Brick connector | 9. Steel structure |
| 5. Sheet metal screws | |



Solcraft Sp. z o.o.

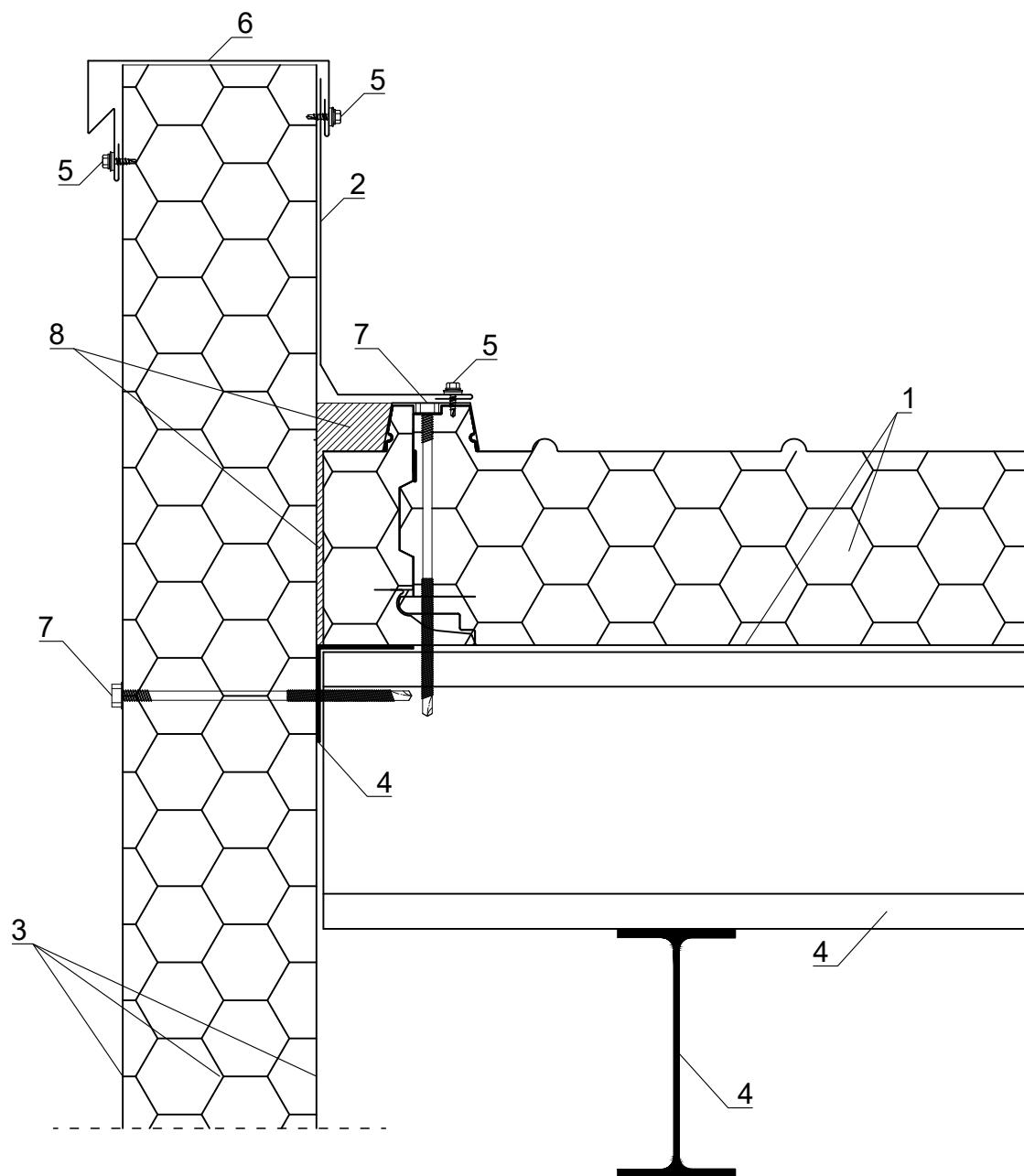
Bogdanka 7f biuro@solcraft.pl
95-060 Brzeziny www.solcraft.pl
tel. +48 22 723 83 27

H-Block[®], Thexpan[®], Thermont[®], Frigothex[®] Drawing number:

Energy-saving building systems

6.4.

Fastening Thermont® / Thexpan® roof panel with an attic



- 1. Thermont® / Thexpan® panel
- 2. Flashing
- 3. Sandwich panel
- 4. Steel structure

- 5. Sheet metal screws
- 6. Flashing
- 7. Fastener
- 8. Filling with insulating material



Solcraft Sp. z o.o.

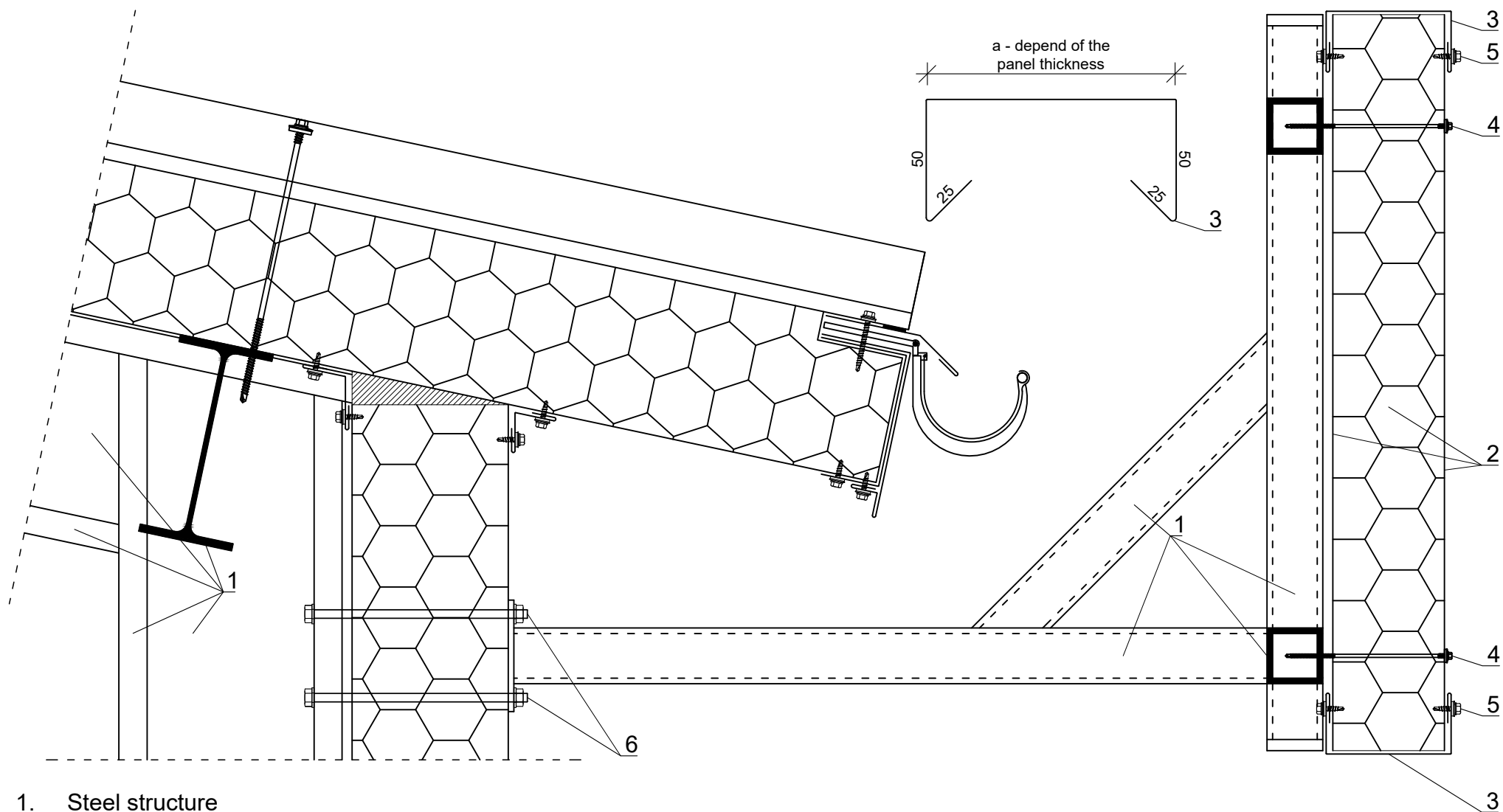
Bogdanka 7f biuro@solcraft.pl
 95-060 Brzeziny www.solcraft.pl
 tel. +48 22 723 83 27

H-Block®, Thexpan®, Thermont®, Frigothex® Drawing number:

Energy-saving building systems

7.1.

Attachment of the attic at the eaves



1. Steel structure
2. Sandwich attic panel
3. Flashing
4. Fastener
5. Sheet metal screws
6. Screws welded to the sheet



Solcraft Sp. z o.o.

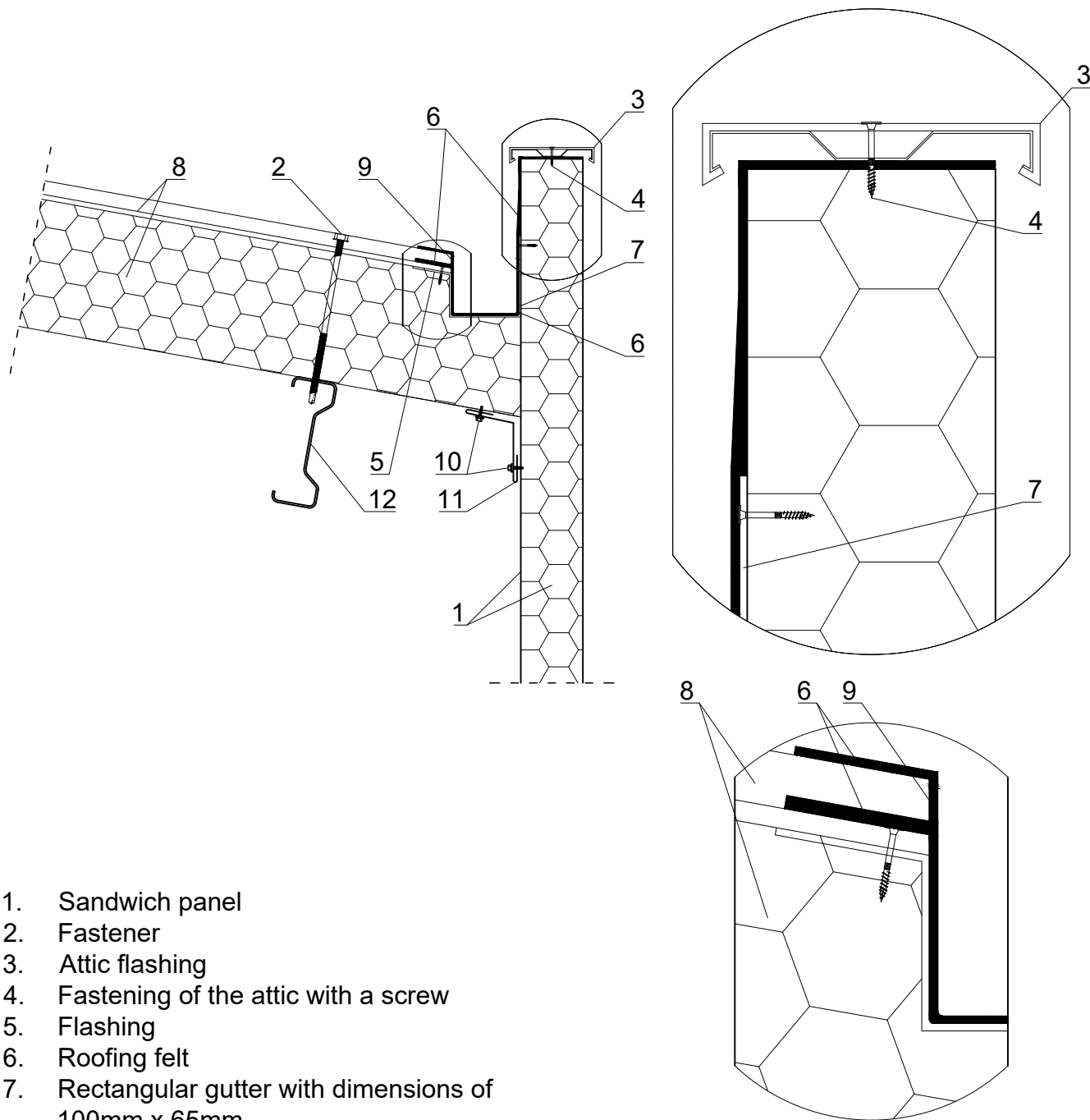
Bogdanka 7f biuro@solcraft.pl
 95-060 Brzeziny www.solcraft.pl
 tel. +48 22 723 83 27

H-Block[®], Thexpan[®], Thermont[®], Frigothex[®] Drawing number:

Energy-saving building systems

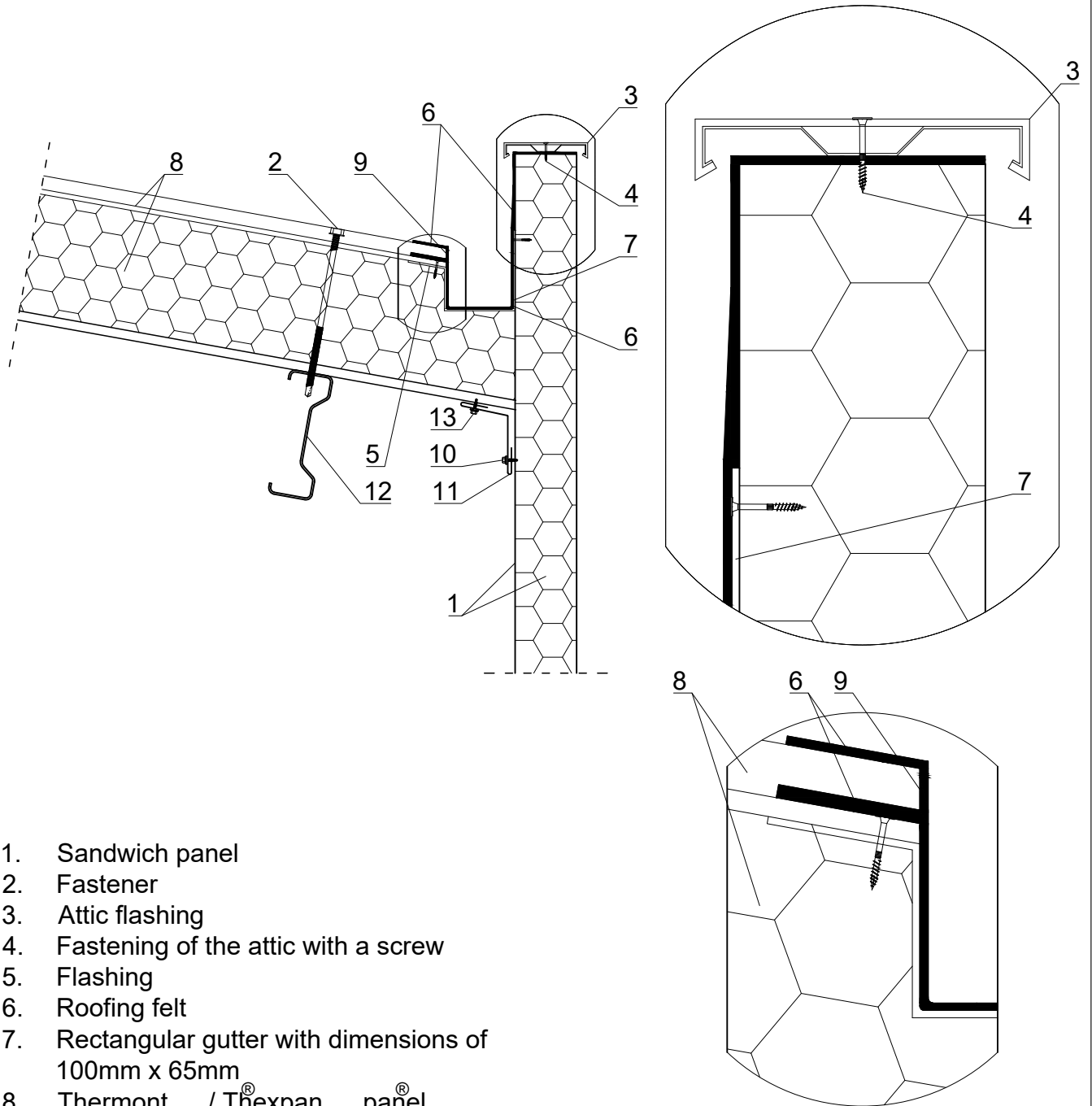
7.2.

Drainage trough in the Thermont[®] / Thexpan[®] roof panel with an attic



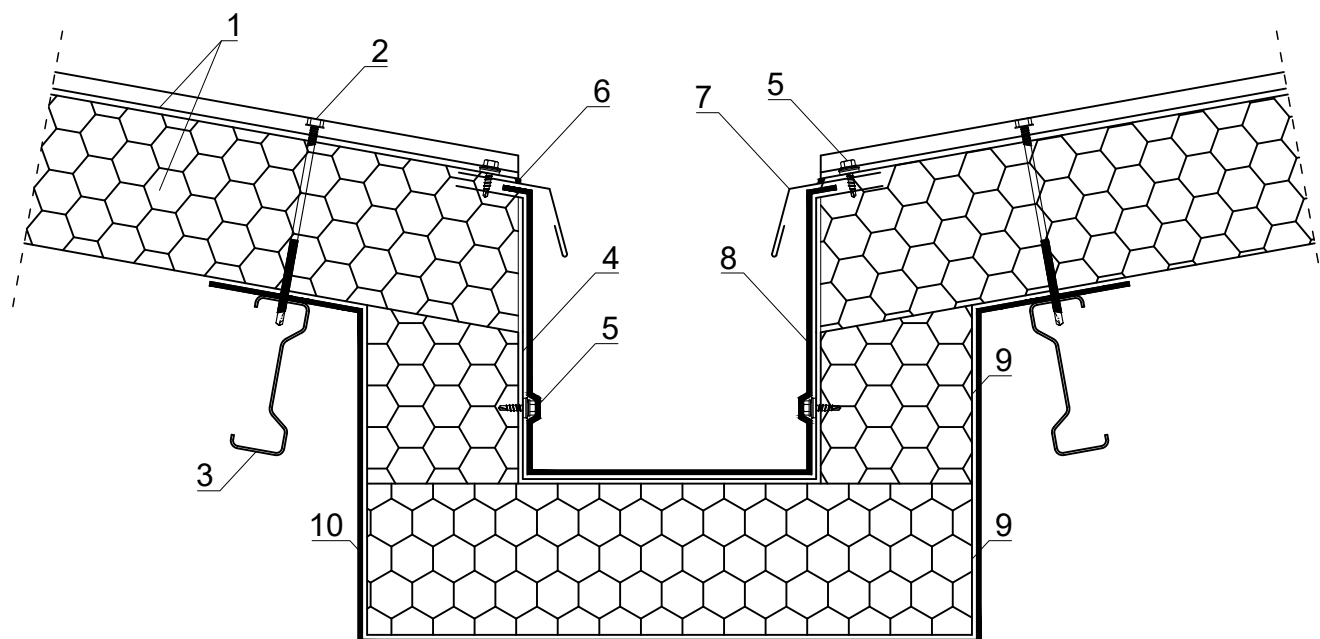
1. Sandwich panel
2. Fastener
3. Attic flashing
4. Fastening of the attic with a screw
5. Flashing
6. Roofing felt
7. Rectangular gutter with dimensions of 100mm x 65mm
8. Thermont[®] / Thexpan[®] panel
9. End of the roof clip according to drawing 2.1.
10. Sheet metal screws
11. Flashing
12. Steel structure

Drainage trough in the Thermont[®] / Thexpan[®] plus roof panel with an attic



1. Sandwich panel
2. Fastener
3. Attic flashing
4. Fastening of the attic with a screw
5. Flashing
6. Roofing felt
7. Rectangular gutter with dimensions of 100mm x 65mm
8. Thermont[®] / Thexpan[®] plus panel
9. End of the roof clip according to drawing 2.1.
10. Sheet metal screw
11. Flashing
12. Steel structure
13. Screw for joining sheet metal with wood

Drainage trough in the Thermont[®] / Thexpan[®] roof panel



1. Thermont[®] / Thexpan[®] panel
2. Fastener
3. Steel structure
4. Flashing
5. Sheet metal screws
6. Roofing putty
7. Flashing
8. Roofing felt
9. Filling with insulating material
10. Gutter made of galvanized sheet



Solcraft Sp. z o.o.

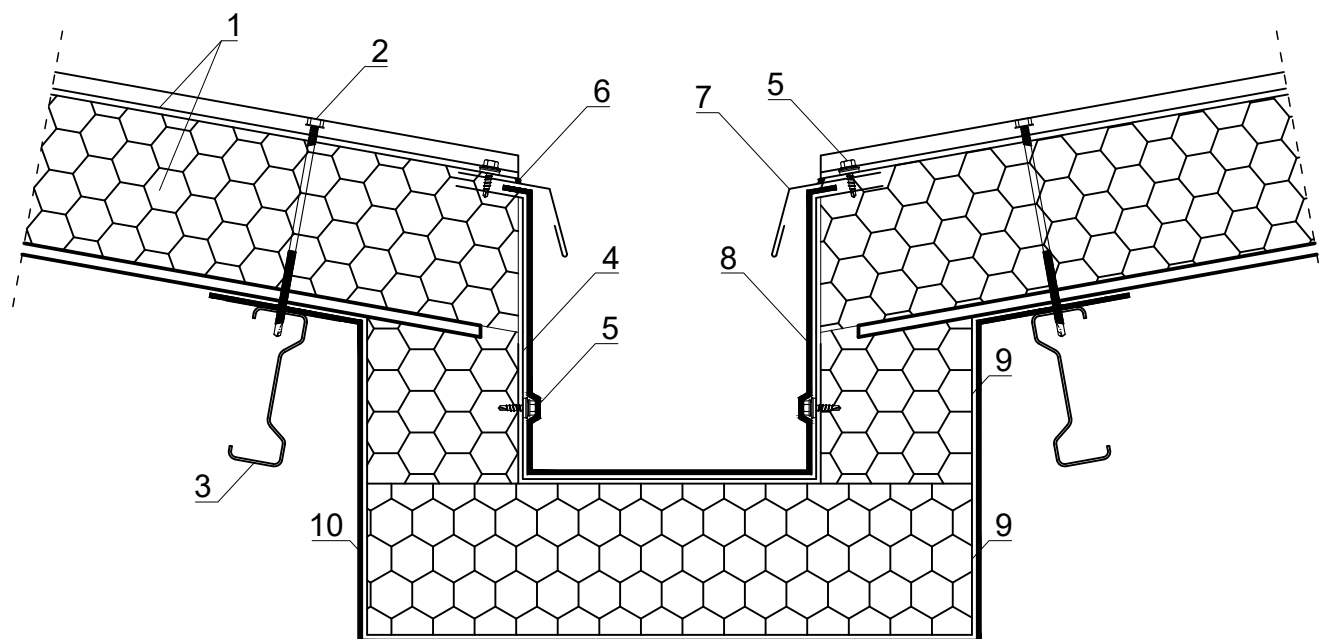
Bogdanka 7f biuro@solcraft.pl
95-060 Brzeziny www.solcraft.pl
tel. +48 22 723 83 27

H-Block[®], Thexpan[®], Thermont[®], Frigothex[®] Drawing number:

Energy-saving building systems

7.5.

Drainage trough in the Thermont[®] / Thexpan[®] plus roof panel



1. Thermont[®] / Thexpan[®] plus panel
2. Fastener
3. Steel structure
4. Flashing
5. Sheet metal screws
6. Roofing putty
7. Flashing
8. Roofing felt
9. Filling with insulating material
10. Gutter made of galvanized sheet



Solcraft Sp. z o.o.

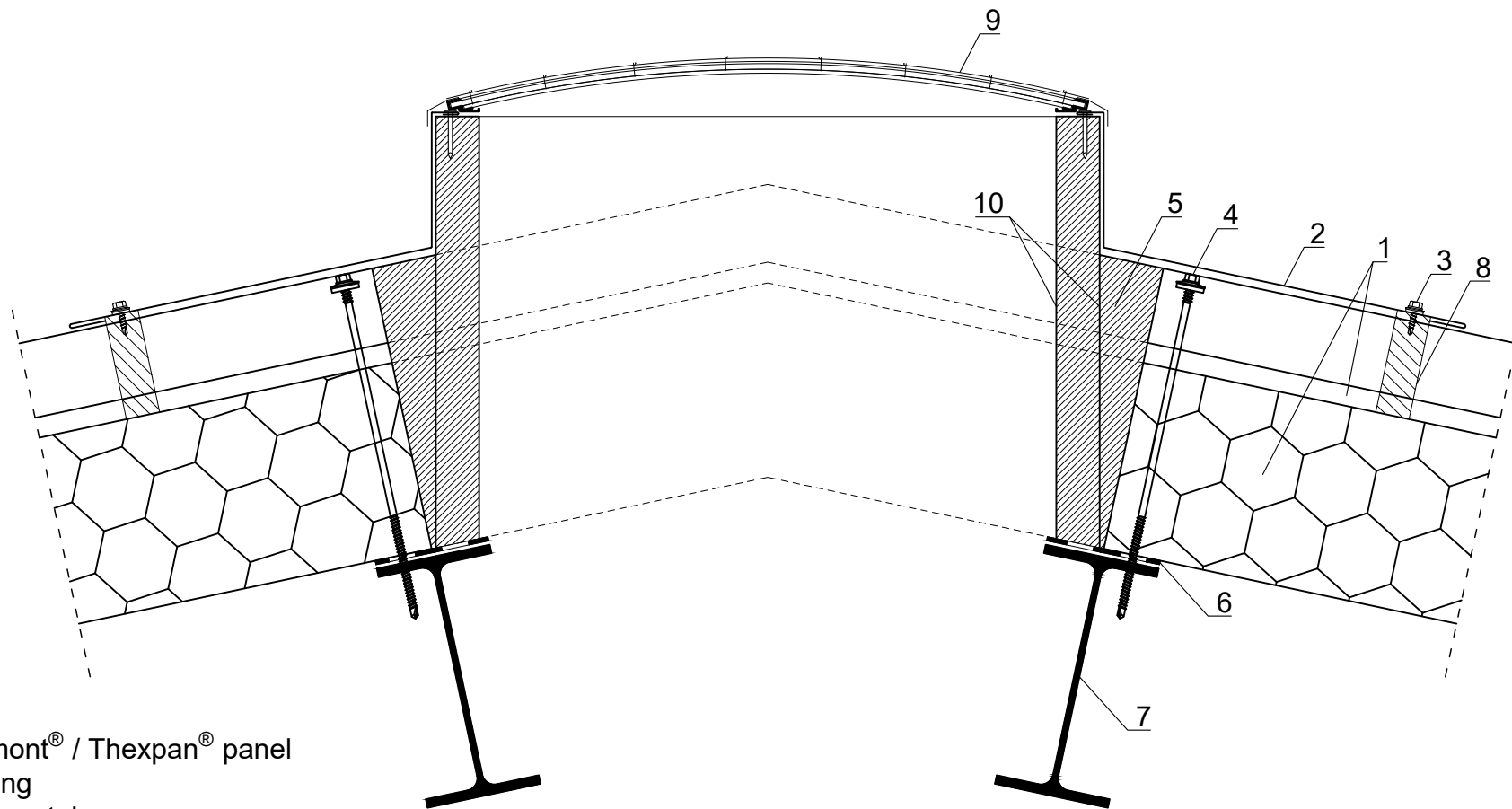
Bogdanka 7f biuro@solcraft.pl
95-060 Brzeziny www.solcraft.pl
tel. +48 22 723 83 27

H-Block[®], Thexpan[®], Thermont[®], Frigothex[®] Drawing number:

Energy-saving building systems

7.6.

Construction of the base for lighting in Thermont[®] / Thexpan[®] roof plate



1. Thermont[®] / Thexpan[®] panel
2. Flashing
3. Sheet metal screws
4. Fastener
5. Filling with insulating material
6. Tape of the vapor barrier foil
7. Steel structure
8. PVC tape gasket
9. Roof skylight
10. Base for lighting



Solcraft Sp. z o.o.

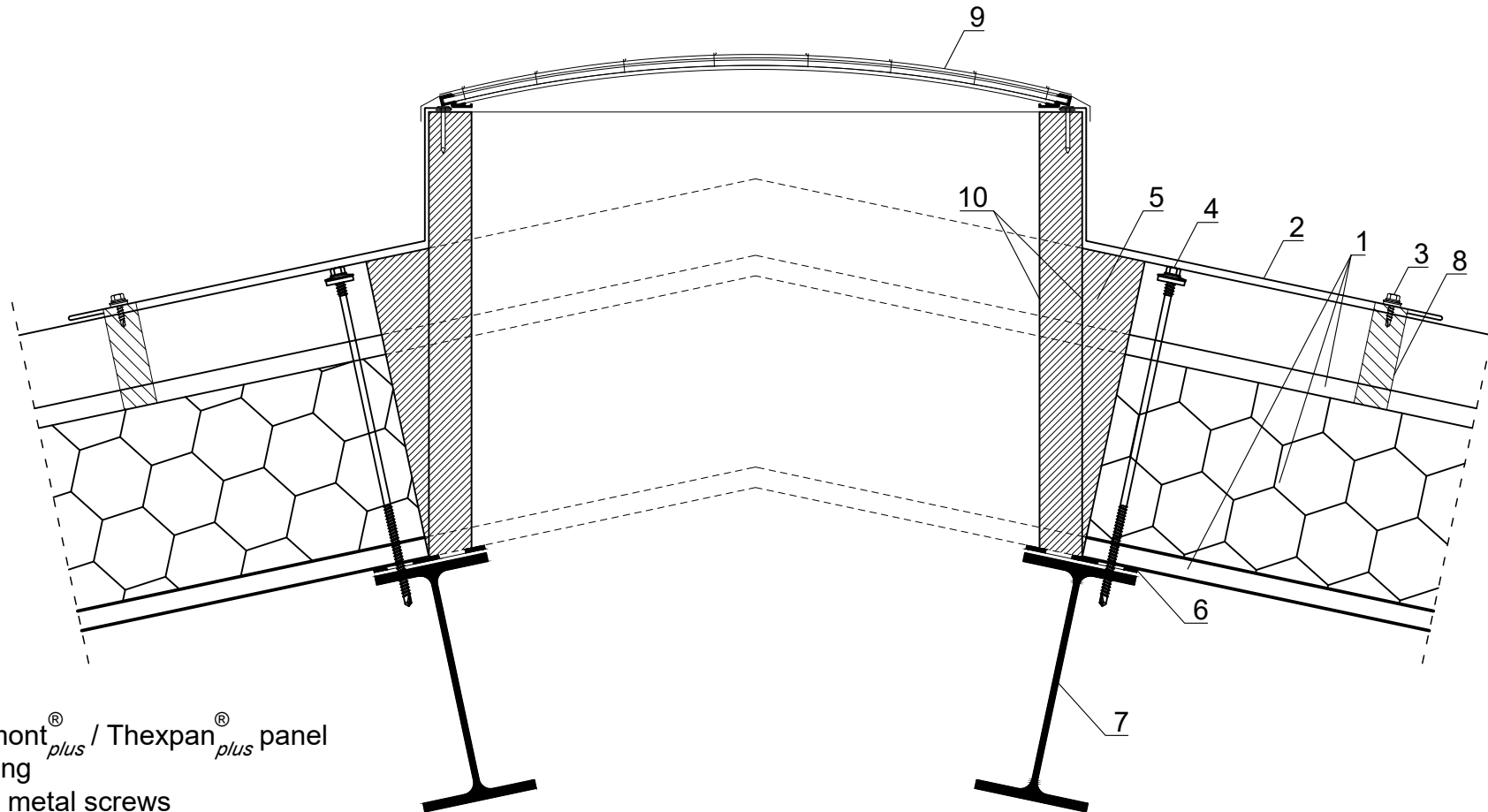
Bogdanka 7f biuro@solcraft.pl
 95-060 Brzeziny www.solcraft.pl
 tel. +48 22 723 83 27

H-Block[®], Thexpan[®], Thermont[®], Frigothex[®] Drawing number:

Energy-saving building systems

8.1.

Construction of the base for lighting in Thermont[®]_{plus} / Thexpan[®]_{plus} roof plate



1. Thermont[®]_{plus} / Thexpan[®]_{plus} panel
2. Flashing
3. Sheet metal screws
4. Fastener
5. Filling with insulating material
6. Tape of the vapor barrier foil
7. Steel structure
8. PVC tape gasket
9. Roof skylight
10. Base for lighting



Solcraft Sp. z o.o.

Bogdanka 7f biuro@solcraft.pl
 95-060 Brzeziny www.solcraft.pl
 tel. +48 22 723 83 27

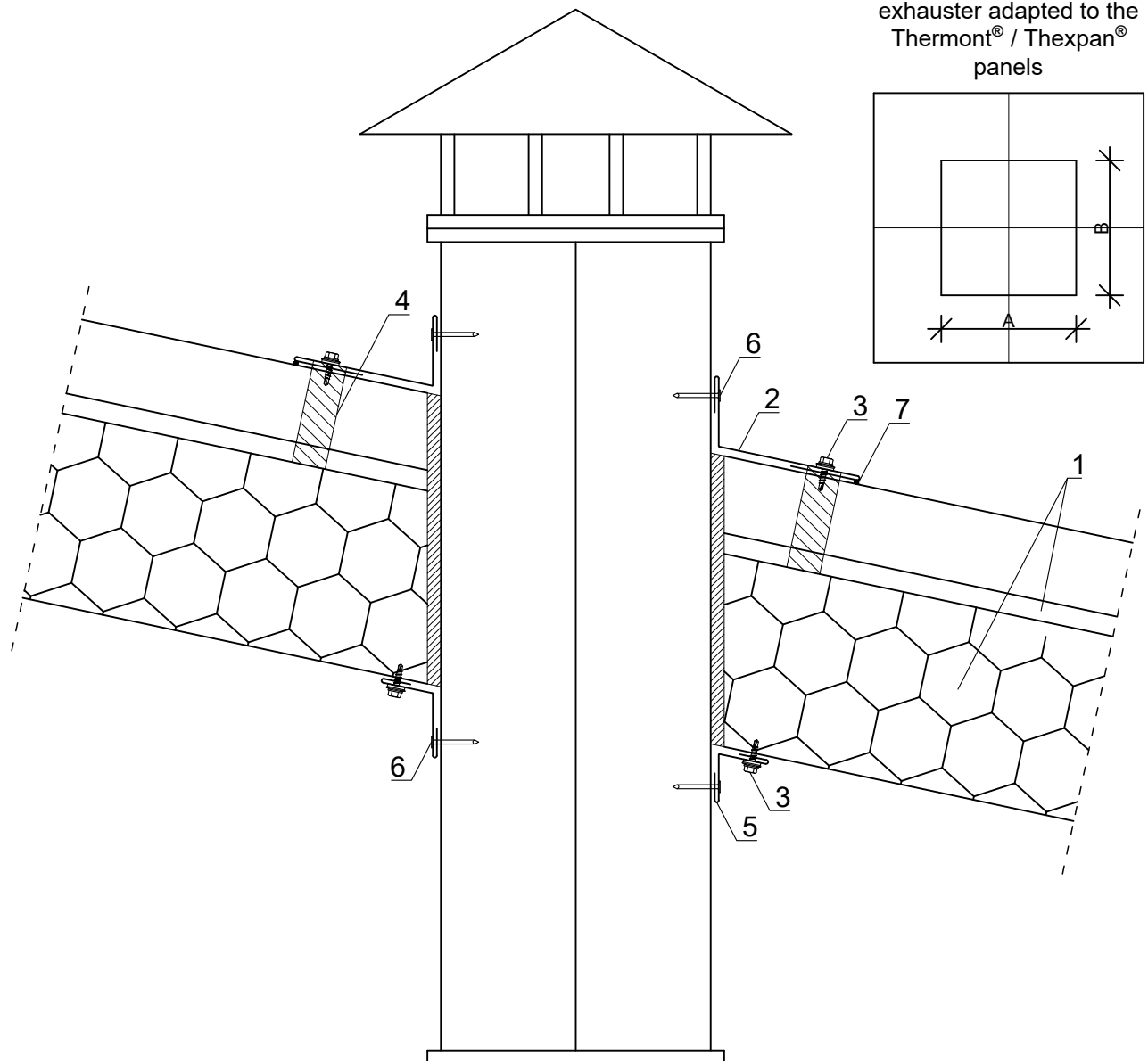
H-Block[®], Thexpan[®], Thermont[®], Frigothex[®] Drawing number:

Energy-saving building systems

8.2.

Pass of ventilation ducts through Thermont® / Thexpan® roof plate

Roof base of the AxB
exhauster adapted to the
Thermont® / Thexpan®
panels



1. Thermont® / Thexpan® panel
2. Flashing
3. Sheet metal screws
4. Rubber gasket
5. Flashing
6. Brick connector
7. Roofing putty



Solcraft Sp. z o.o.

Bogdanka 7f biuro@solcraft.pl
95-060 Brzeziny www.solcraft.pl
tel. +48 22 723 83 27

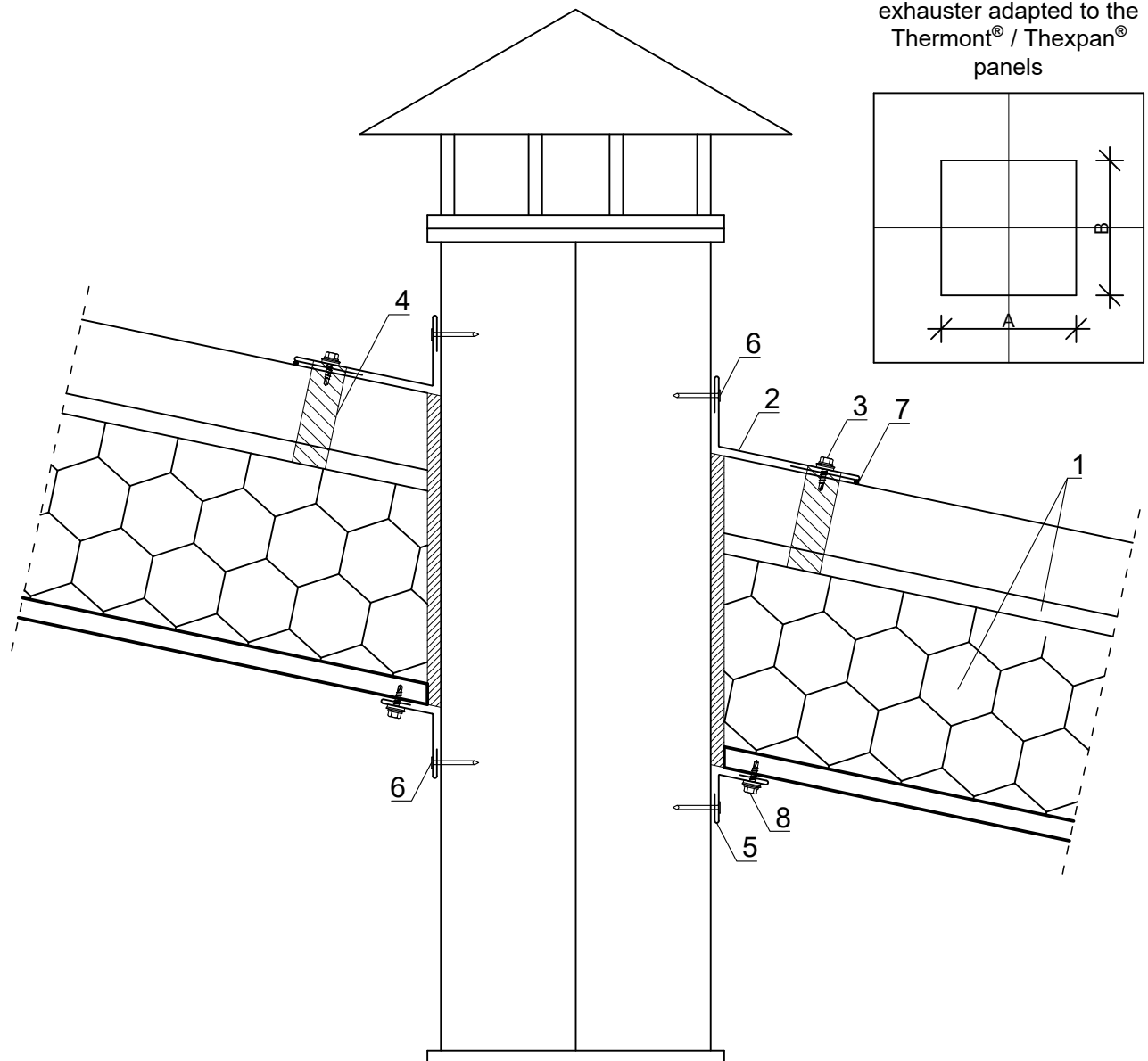
H-Block®, Thexpan®, Thermont®, Frigothex® Drawing number:

Energy-saving building systems

9.1.

Pass of ventilation ducts through Thermont[®]_{plus} / Thexpan[®]_{plus} roof plate

Roof base of the AxB air
exhauster adapted to the
Thermont[®] / Thexpan[®]
panels



1. Thermont[®]_{plus} / Thexpan[®]_{plus} panel
2. Flashing
3. Sheet metal screws
4. Rubber gasket
5. Flashing
6. Brick connector
7. Roofing putty
8. Screw for joining sheet metal with wood



Solcraft Sp. z o.o.

Bogdanka 7f biuro@solcraft.pl
95-060 Brzeziny www.solcraft.pl
tel. +48 22 723 83 27

H-Block[®], Thexpan[®], Thermont[®], Frigothex[®] Drawing number:

Energy-saving building systems

9.2.