



solcraft[®]
even better!

ROOF PANELS – DETAIL CATALOG



TABLE OF CONTENTS:

1. Roof panels connections:

- 1.1. Thermont[®] - connection of insulating roof panels with a hidden connector
- 1.2. Thermont[®] - diagram of joining insulating roof panels with a hidden connector
- 1.3. Thermont_{plus}[®] - connection of insulating roof panels with a hidden connector
- 1.4. Thermont_{plus}[®] - diagram of joining insulating roof panels with a hidden connector
- 1.5. Thexpan[®] - connection of insulating roof panels with a hidden connector
- 1.6. Thexpan[®] - diagram of joining insulating roof panels with a hidden connector
- 1.7. Thexpan_{plus}[®] - connection of insulating roof panels with a hidden connector
- 1.8. Thexpan_{plus}[®] - diagram of joining insulating roof panels with a hidden connector
- 1.9. Connection of Thermont[®] / Thexpan[®] roof panels on the length
- 1.10. Connection of Thermont_{plus}[®] / Thexpan_{plus}[®] roof panels on the length

2. Roof clip:

- 2.1. End of the roof clip

3. Connections of the roof panels with the H-Block wall:

- 3.1. Connection of Thermont[®] / Thexpan[®] roof panels with wall plate
- 3.2. Connection of Thermont_{plus}[®] / Thexpan_{plus}[®] roof panels with wall plate

4. Connection of the roof panels with ridge beam:

- 4.1. Standard connection of Thermont[®] / Thexpan[®] roof panels with ridge beam - option 1
- 4.2. Standard connection of Thermont_{plus}[®] / Thexpan_{plus}[®] roof panels with ridge beam - option 1
- 4.3. Standard connection of Thermont[®] / Thexpan[®] roof panels with ridge beam - option 2
- 4.4. Standard connection of Thermont_{plus}[®] / Thexpan_{plus}[®] roof panels with ridge beam - option 2
- 4.5. Standard connection of Thermont[®] / Thexpan[®] roof panels with steel ridge beam - option 1
- 4.6. Standard connection of Thermont_{plus}[®] / Thexpan_{plus}[®] roof panels with steel ridge beam - option 1
- 4.7. Standard connection of Thermont[®] / Thexpan[®] roof panels with steel ridge beam - option 2
- 4.8. Standard connection of Thermont_{plus}[®] / Thexpan_{plus}[®] roof panels with steel ridge beam - option 2
- 4.9. Ridge finish made of Thermont[®] / Thexpan[®] – option 1
- 4.10. Ridge finish made of Thermont_{plus}[®] / Thexpan_{plus}[®] – option 1
- 4.11. Ridge finish made of Thermont[®] / Thexpan[®] – option 2
- 4.12. Ridge finish made of Thermont_{plus}[®] / Thexpan_{plus}[®] – option 2

5. The end of the roof panels:

- 5.1. Thermont[®] / Thexpan[®] - end of the roof plate in the wind brace
- 5.2. Thermont_{plus}[®] / Thexpan_{plus}[®] - end of the roof plate in the wind brace
- 5.3. Ending of the wind brace in roof with Thermont[®] / Thexpan[®] panels
- 5.4. Ending of the wind brace in roof with Thermont_{plus}[®] / Thexpan_{plus}[®] panels
- 5.5. Ending of the Thermont[®] / Thexpan[®] panel in a shed roof at the top of the building
- 5.6. Ending of the Thermont_{plus}[®] / Thexpan_{plus}[®] panel in a shed roof at the top of the building

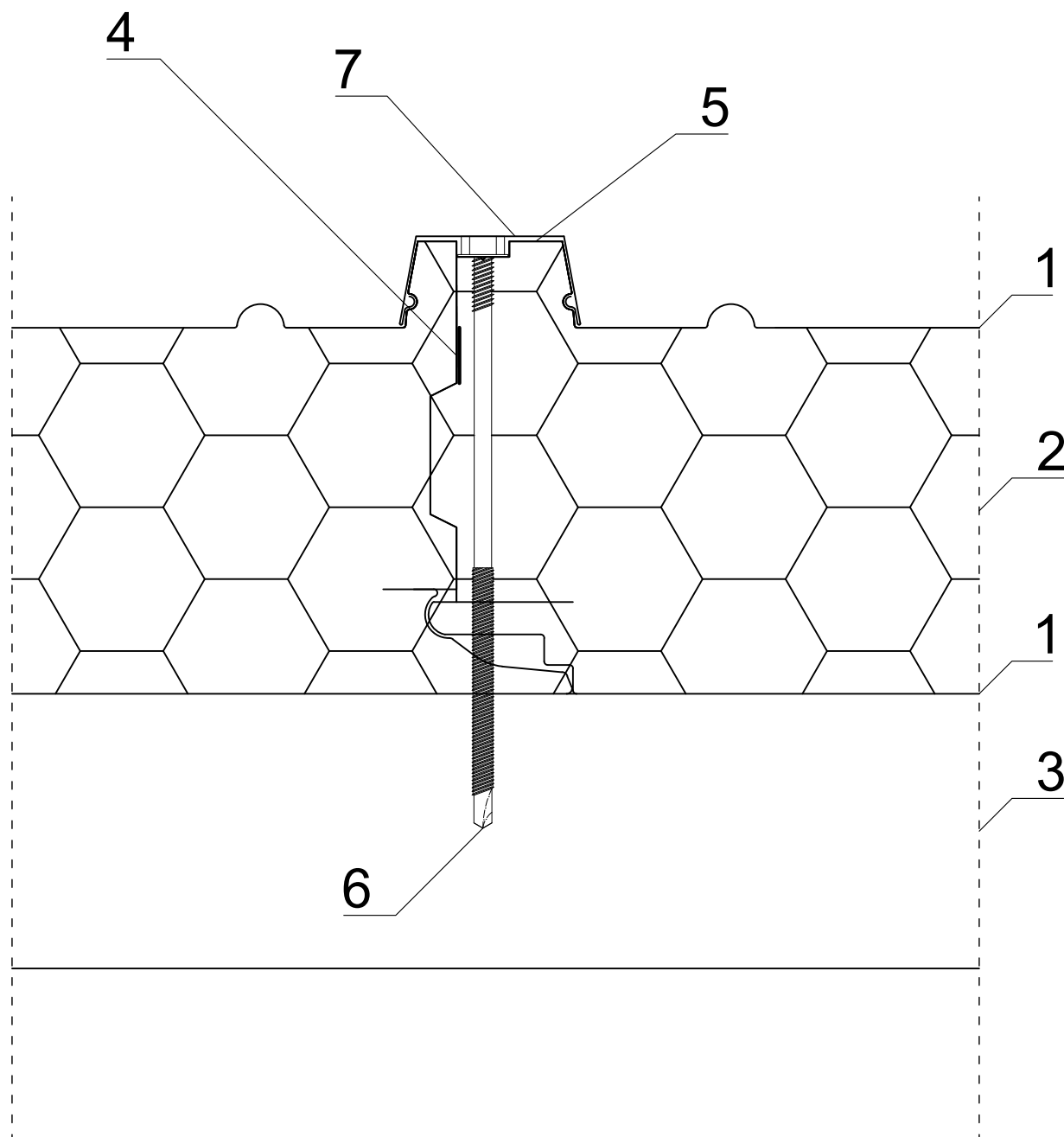
6. Gutter fixing to roof panels:

- 6.1. Gutter fixing in roof with Thermont[®] / Thexpan[®] panels - option 1
- 6.2. Gutter fixing in roof with Thermont_{plus}[®] / Thexpan_{plus}[®] - option 1
- 6.3. Gutter fixing in roof with Thermont[®] / Thexpan[®] panels - option 2
- 6.4. Gutter fixing in roof with Thermont_{plus}[®] / Thexpan_{plus}[®] - option 2
- 6.5. Gutter fixing in roof with Thermont[®] / Thexpan[®] panels - option 3
- 6.6. Gutter fixing in roof with Thermont_{plus}[®] / Thexpan_{plus}[®] - option 3
- 6.7. Gutter fixing in roof with Thermont[®] / Thexpan[®] panels - option 4
- 6.8. Gutter fixing in roof with Thermont_{plus}[®] / Thexpan_{plus}[®] - option 4
- 6.9. Gutter fixing in roof with Thermont[®] / Thexpan[®] panels - option 5
- 6.10. Gutter fixing in roof with Thermont[®] / Thexpan[®] panels - option 5 – section A-A
- 6.11. Gutter fixing in roof with Thermont_{plus}[®] / Thexpan_{plus}[®] - option 4
- 6.12. Gutter fixing in roof with Thermont_{plus}[®] / Thexpan_{plus}[®] - option 5 – section A-A
- 6.13. Gutter fixing in roof with Thermont[®] / Thexpan[®] panels - option 6
- 6.14. Gutter fixing in roof with Thermont_{plus}[®] / Thexpan_{plus}[®] - option 6
- 6.15. Gutter fixing in roof with Thermont[®] / Thexpan[®] panels - option 7
- 6.16. Gutter fixing in roof with Thermont_{plus}[®] / Thexpan_{plus}[®] - option 7

7. Attics and drainage troughs:

- 7.1. Drainage trough in the Thermont[®] / Thexpan[®] roof panel with an attic
- 7.2. Drainage trough in the Thermont_{plus}[®] / Thexpan_{plus}[®] panel with an attic
- 7.3. Drainage trough in the Thermont[®] / Thexpan[®] roof panel
- 7.4. Drainage trough in the Thermont_{plus}[®] / Thexpan_{plus}[®] roof panel

Thermont[®] - connection of insulating roof panels with a hidden connector



1. Galvanized and coated steel sheet
2. Polyurethane foam
3. Purlin
4. Foam tape

5. Sealing tape
6. Fastener
7. Roof clips



Solcraft Sp. z o.o.

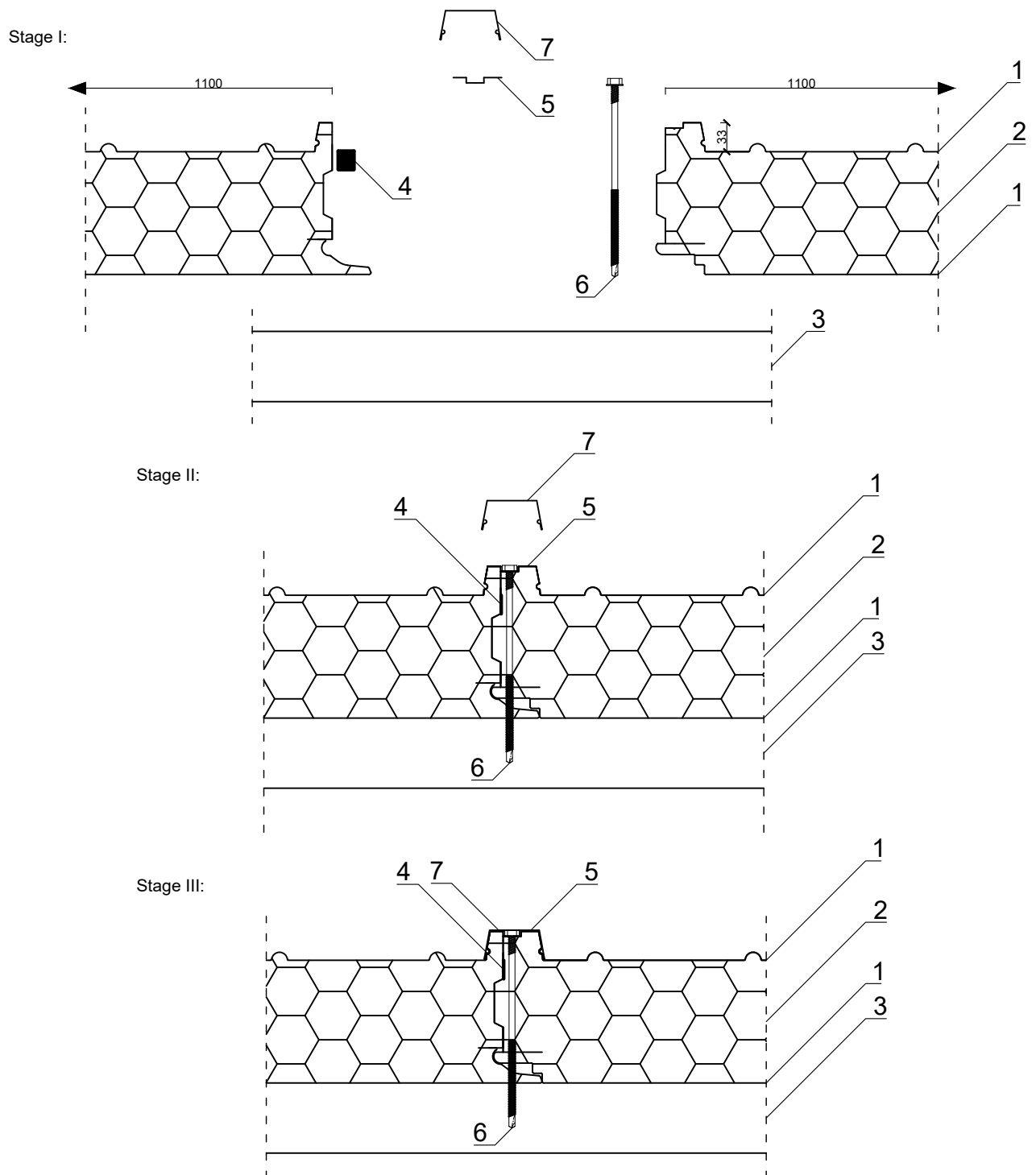
Bogdanka 7f biuro@solcraft.pl
95-060 Brzeziny www.solcraft.pl
tel. +48 22 723 83 27

H-Block[®], Thexpan[®], Thermont[®], Frigothex[®] Drawing number:

Energy-saving building systems

1.1.

Thermont[®] - diagram of joining insulating roof panels with a hidden connector



1. Galvanized and coated steel sheet
2. Polyurethane foam
3. Purlin
4. Foam tape

5. Sealing tape
6. Fastener
7. Roof clips



Solcraft Sp. z o.o.

Bogdanka 7f biuro@solcraft.pl
 95-060 Brzeziny www.solcraft.pl
 tel. +48 22 723 83 27

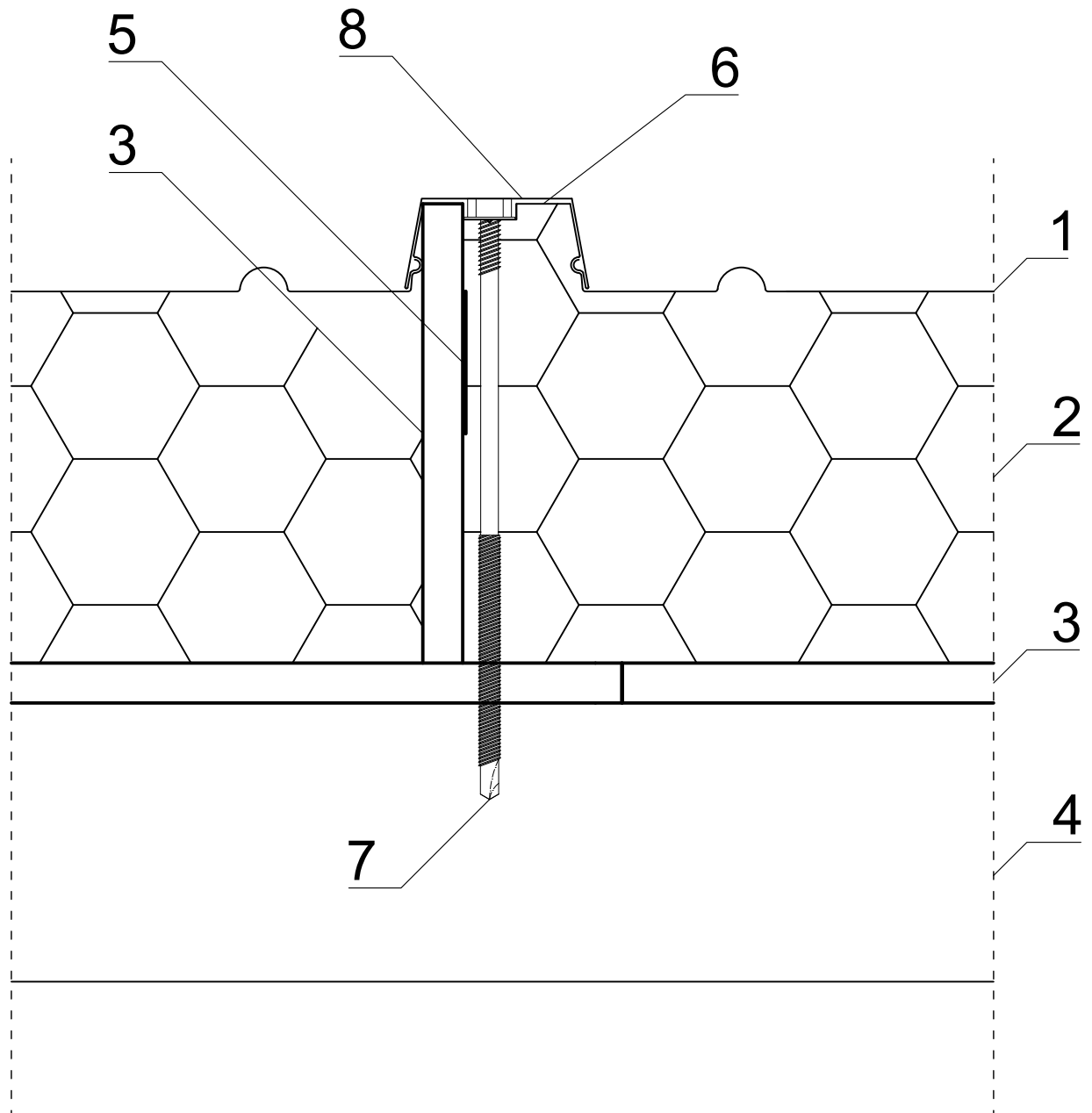
H-Block[®], Thexpan[®], Thermont[®], Frigothex[®]

Energy-saving building systems

Drawing number:

1.2.

Thermont[®]_{plus} - connection of insulating roof panels with a hidden connector



1. Galvanized and coated steel sheet
2. Polyurethane foam
3. OSB
4. Purlin

5. Foam tape
6. Sealing tape
7. Fastener
8. Roof clips



Solcraft Sp. z o.o.

Bogdanka 7f biuro@solcraft.pl
 95-060 Brzeziny www.solcraft.pl
 tel. +48 22 723 83 27

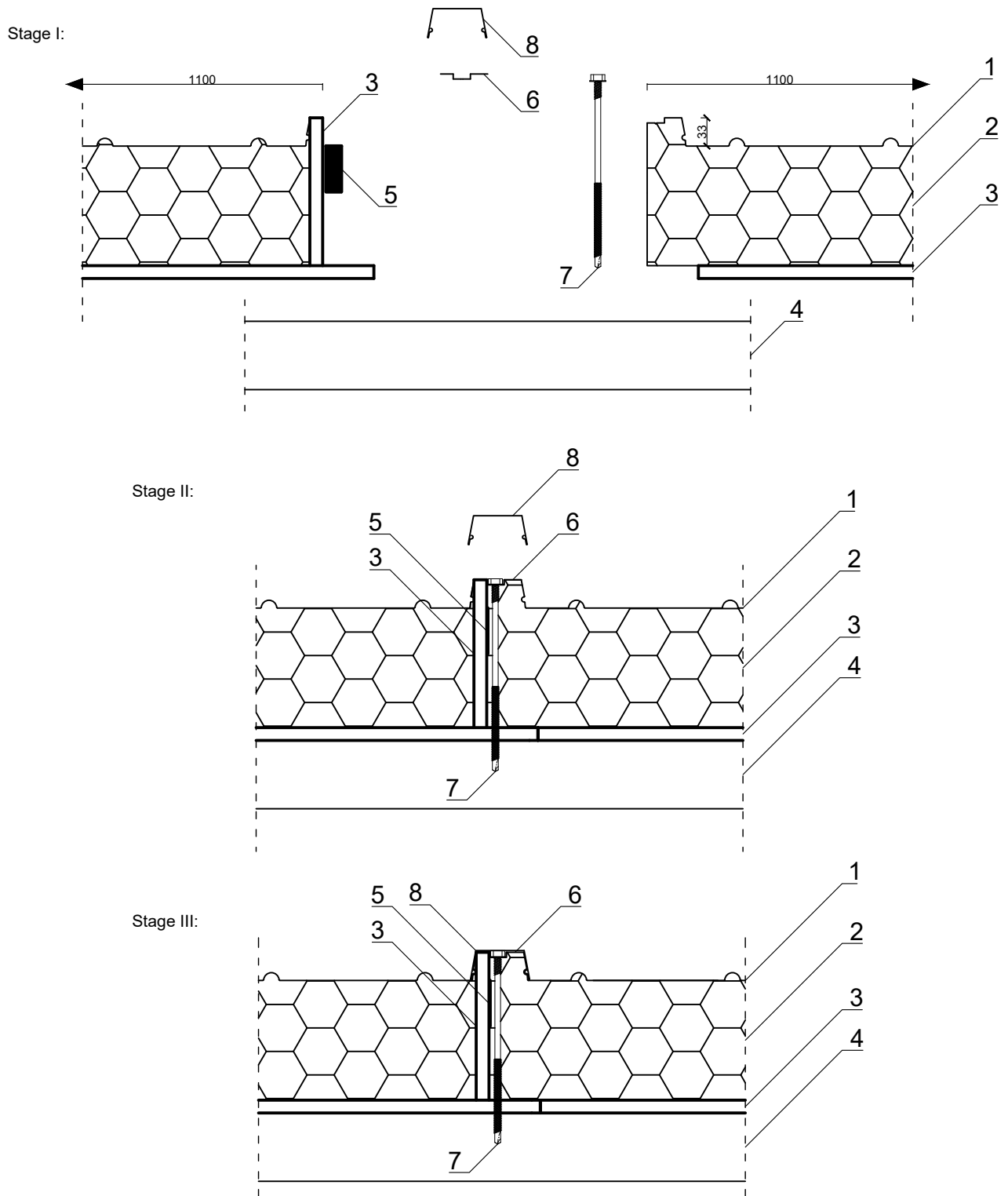
H-Block[®], Thexpan[®], Thermont[®], Frigothex[®]

Energy-saving building systems

Drawing number:

1.3.

Thermont[®]_{plus} - diagram of joining insulating roof panels with a hidden connector



1. Galvanized and coated steel sheet
2. Polyurethane foam
3. OSB
4. Purlin

5. Foam tape
6. Sealing tape
7. Fastener
8. Roof clips



Solcraft Sp. z o.o.

Bogdanka 7f biuro@solcraft.pl
 95-060 Brzeziny www.solcraft.pl
 tel. +48 22 723 83 27

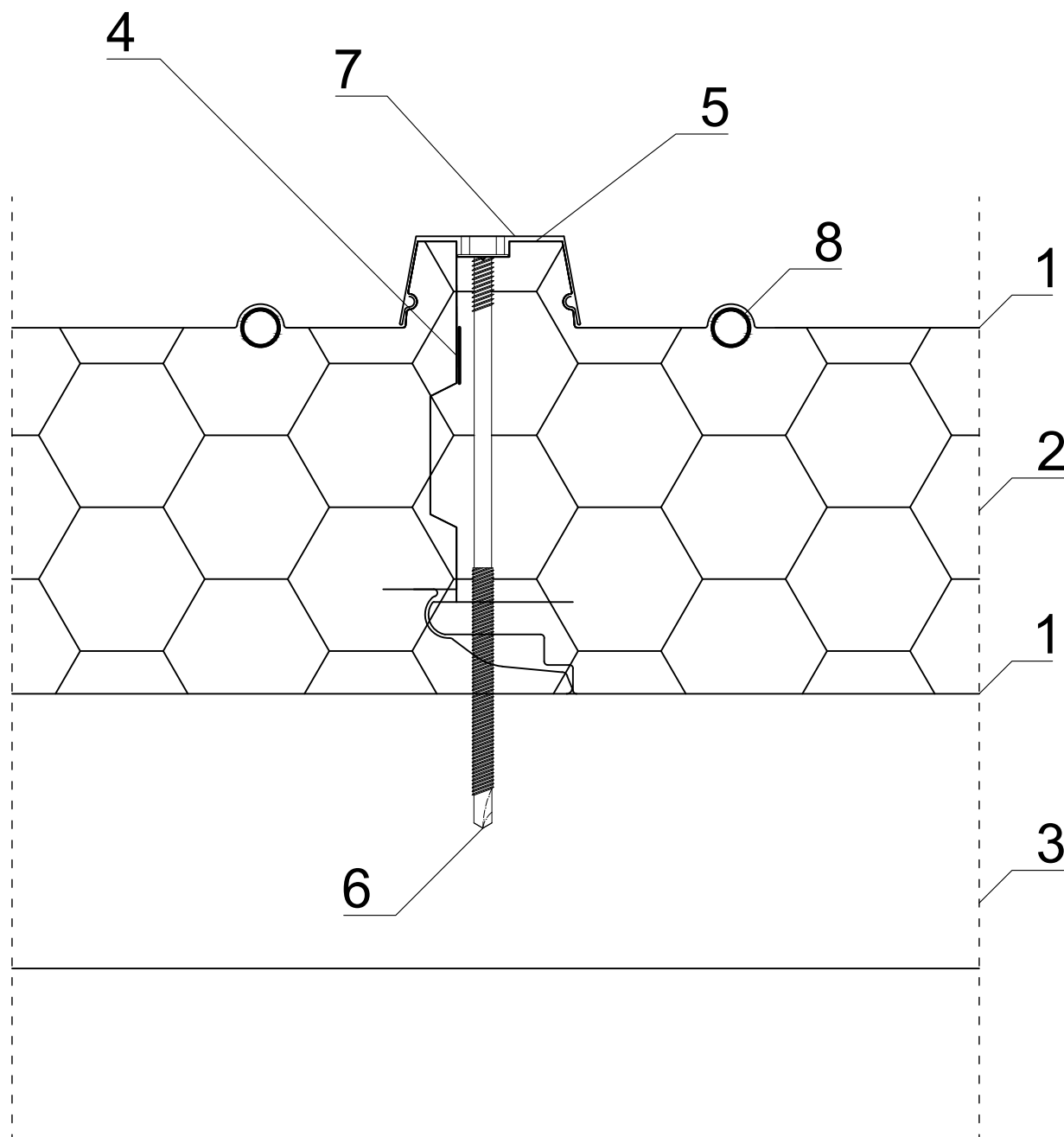
H-Block[®], Thexpan[®], Thermont[®], Frigothex[®]

Energy-saving building systems

Drawing number:

1.4.

Thexpan[®] - connection of insulating roof panels with a hidden connector



- | | |
|--------------------------------------|-------------------|
| 1. Galvanized and coated steel sheet | 5. Sealing tape |
| 2. Polyurethane foam | 6. Fastener |
| 3. Purlin | 7. Roof clips |
| 4. Foam tape | 8. Heat exchanger |



Solcraft Sp. z o.o.

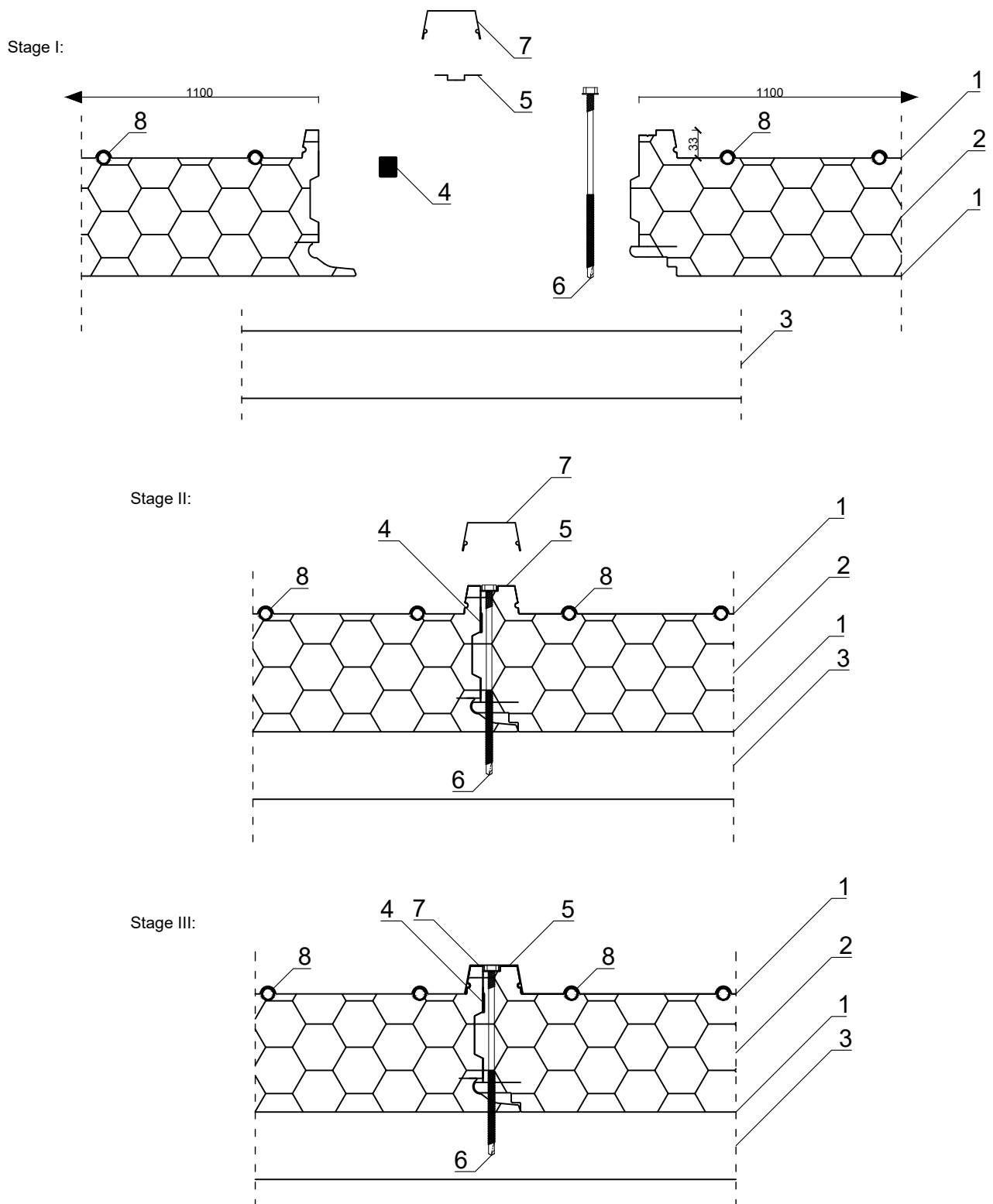
Bogdanka 7f biuro@solcraft.pl
 95-060 Brzeziny www.solcraft.pl
 tel. +48 22 723 83 27

H-Block[®], Thexpan[®], Thermont[®], Frigothex[®] Drawing number:

Energy-saving building systems

1.5.

Thexpan[®] - diagram of joining insulating roof panels with a hidden connector



1. Galvanized and coated steel sheet
2. Polyurethane foam
3. Purlin
4. Foam tape

5. Sealing tape
6. Fastener
7. Roof clips
8. Heat exchanger



Solcraft Sp. z o.o.

Bogdanka 7f biuro@solcraft.pl
 95-060 Brzeziny www.solcraft.pl
 tel. +48 22 723 83 27

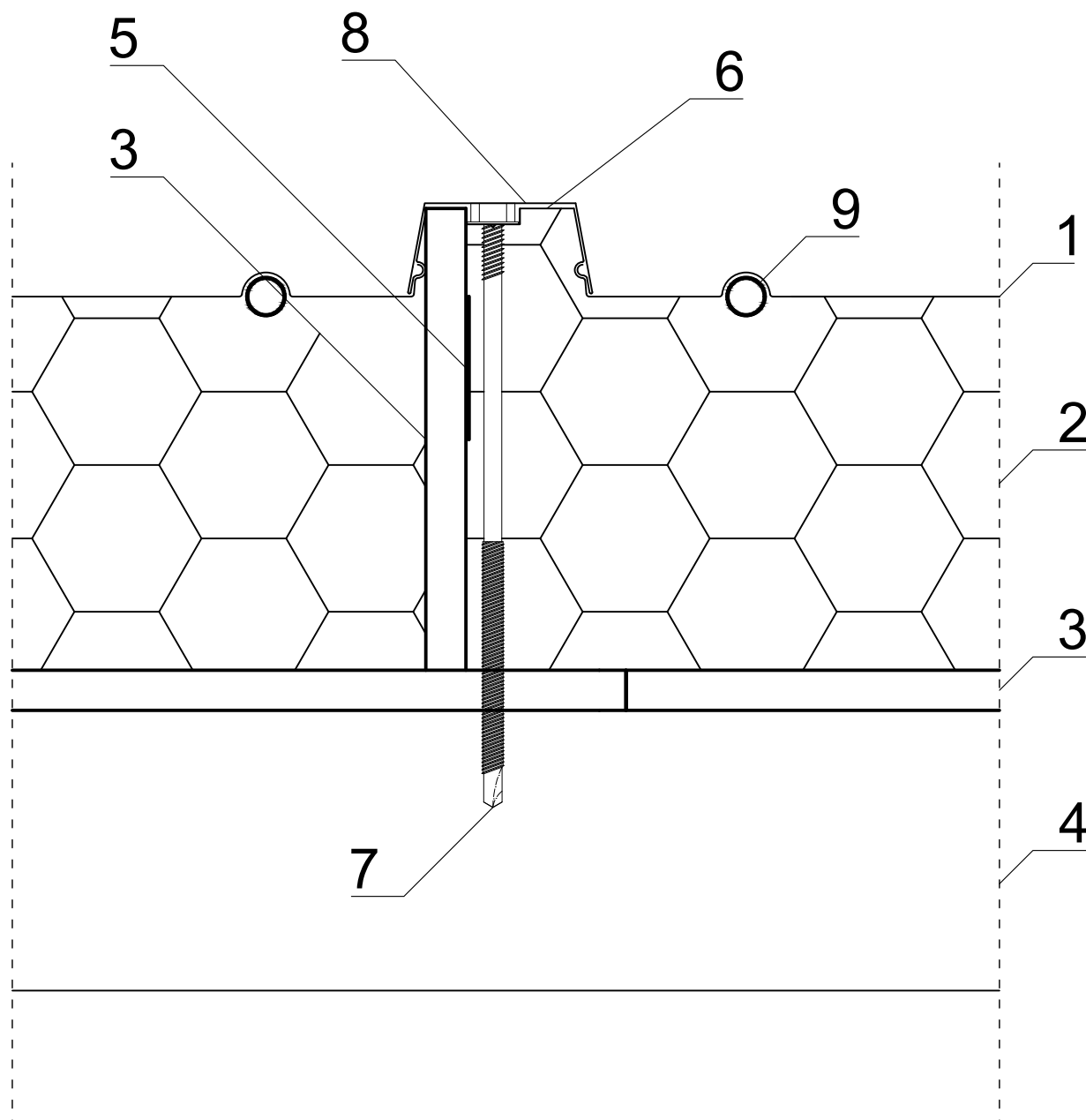
H-Block[®], Thexpan[®], Thermont[®], Frigothex[®]

Energy-saving building systems

Drawing number:

1.6.

Thexpan[®]_{plus} - connection of insulating roof panels with a hidden connector



- | | |
|--------------------------------------|-------------------|
| 1. Galvanized and coated steel sheet | 6. Sealing tape |
| 2. Polyurethane foam | 7. Fastener |
| 3. OSB | 8. Roof clips |
| 4. Purlin | 9. Heat exchanger |
| 5. Foam tape | |



Solcraft Sp. z o.o.

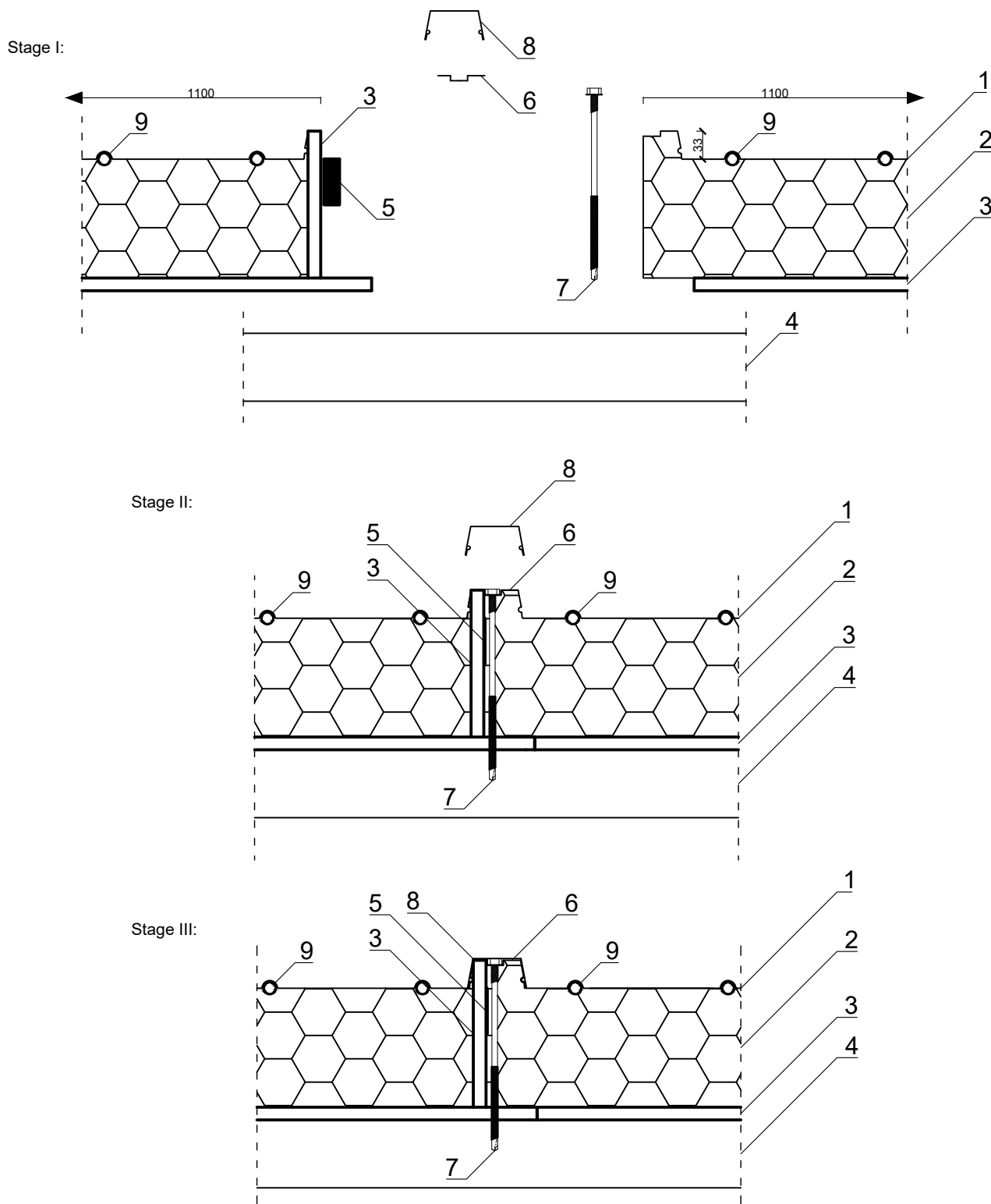
Bogdanka 7f biuro@solcraft.pl
 95-060 Brzeziny www.solcraft.pl
 tel. +48 22 723 83 27

H-Block[®], Thexpan[®], Thermont[®], Frigothex[®] Drawing number:

Energy-saving building systems

1.7.

Thexpan[®]_{plus} - diagram of joining insulating roof panels with a hidden connector



- | | |
|--------------------------------------|-------------------|
| 1. Galvanized and coated steel sheet | 6. Sealing tape |
| 2. Polyurethane foam | 7. Fastener |
| 3. OSB | 8. Roof clips |
| 4. Purlin | 9. Heat exchanger |
| 5. Foam tape | |



Solcraft Sp. z o.o.

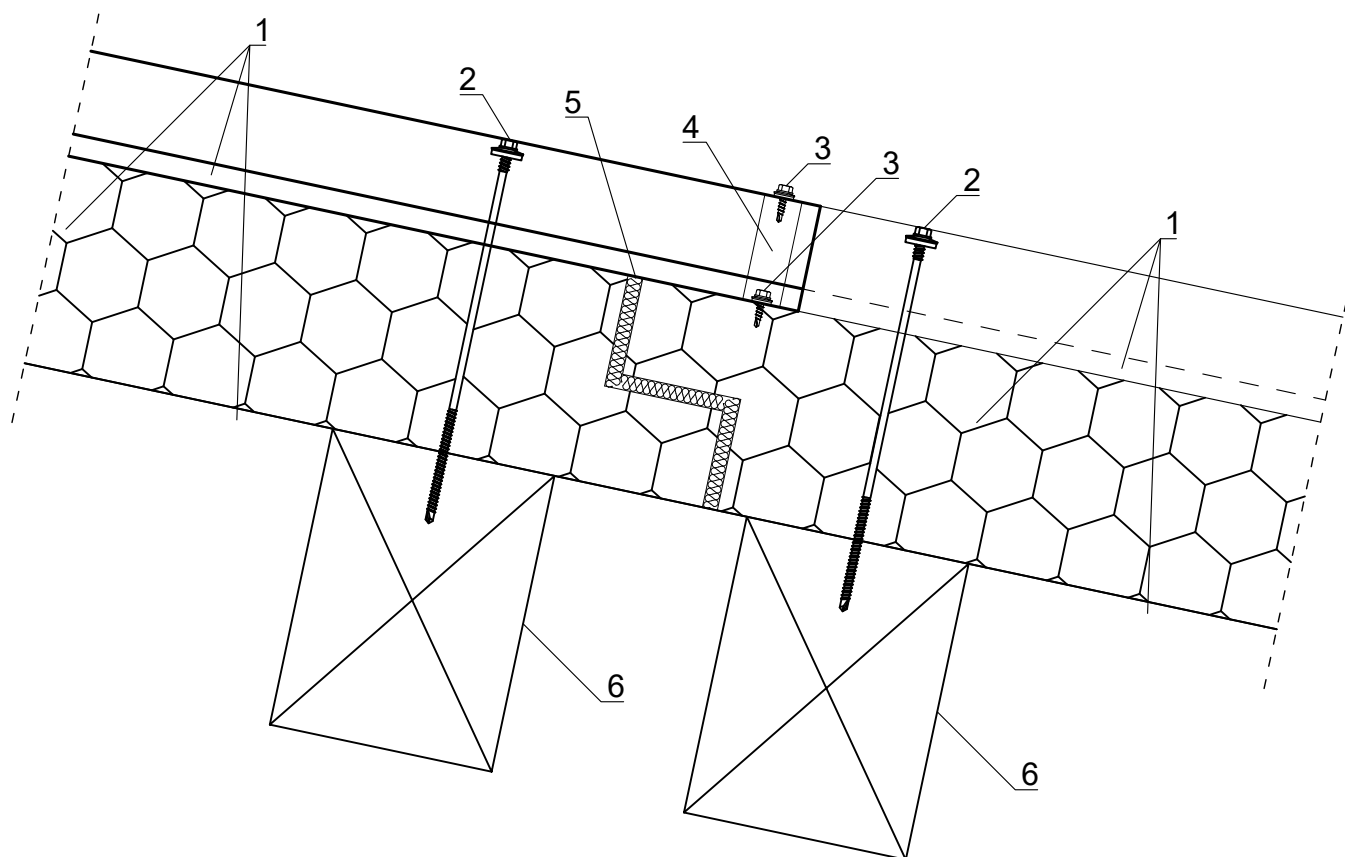
Bogdanka 7f biuro@solcraft.pl
 95-060 Brzeziny www.solcraft.pl
 tel. +48 22 723 83 27

H-Block[®], Thexpan[®], Thermont[®], Frigothex[®] Drawing number:

Energy-saving building systems

1.8.

Connection of Thermont[®] / Thexpan[®] roof panels on the length



1. Thermont[®] / Thexpan[®] panel
2. Fastener
3. Sheet metal screws

4. Butyl gasket
5. Filling with insulating material
6. Wooden beam



Solcraft Sp. z o.o.

Bogdanka 7f biuro@solcraft.pl
95-060 Brzeziny www.solcraft.pl
tel. +48 22 723 83 27

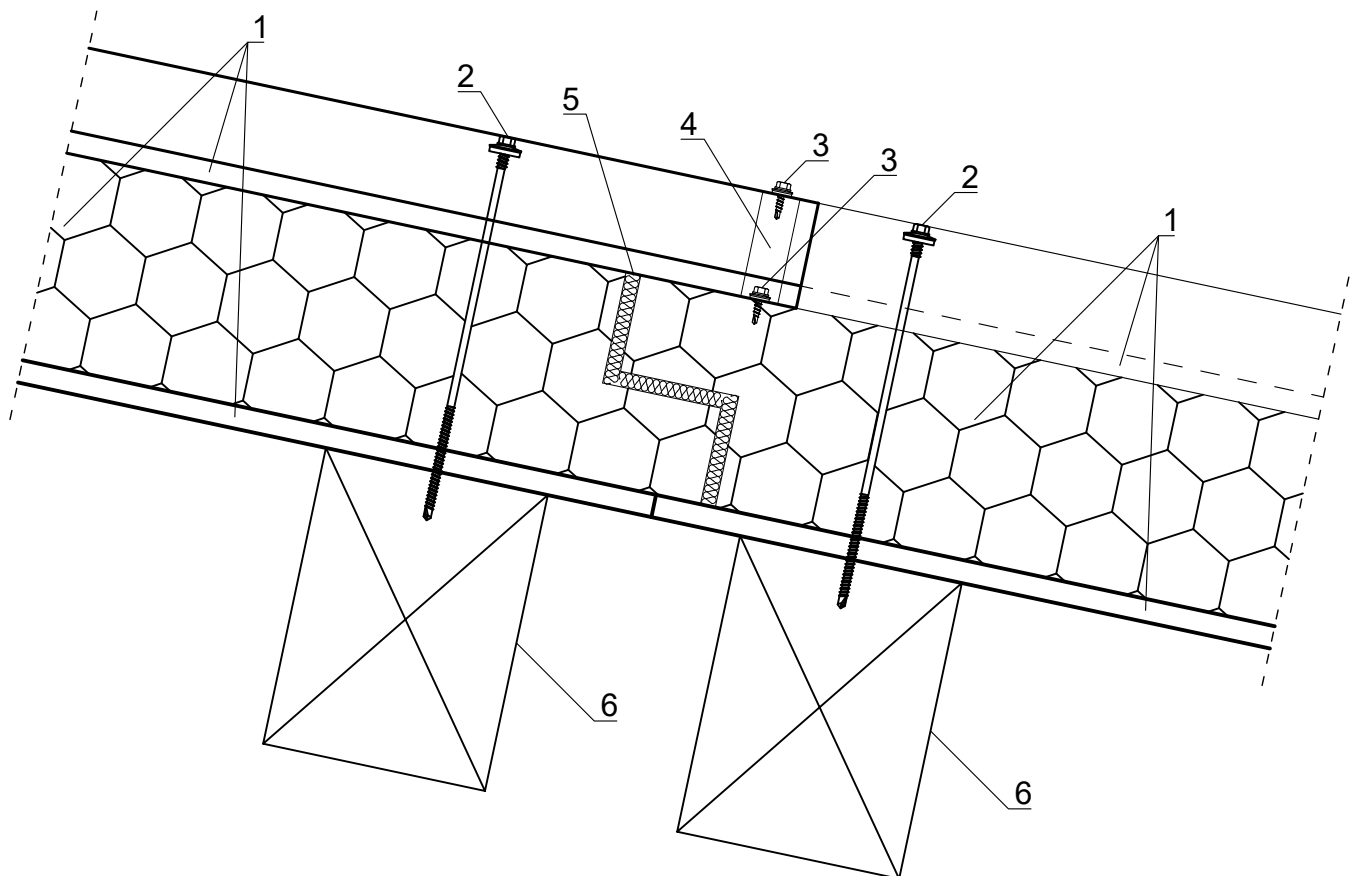
H-Block[®], Thexpan[®], Thermont[®], Frigothex[®]

Energy-saving building systems

Drawing number:

1.9.

Connection of Thermont[®] / Thexpan[®] roof panels on the length



- | | |
|---|-------------------------------------|
| 1. Thermont [®] / Thexpan [®] panel | 4. Butyl gasket |
| 2. Fastener | 5. Filling with insulating material |
| 3. Sheet metal screws | 6. Wooden beam |



Solcraft Sp. z o.o.

Bogdanka 7f biuro@solcraft.pl
95-060 Brzeziny www.solcraft.pl
tel. +48 22 723 83 27

H-Block[®], Thexpan[®], Thermont[®], Frigothex[®]

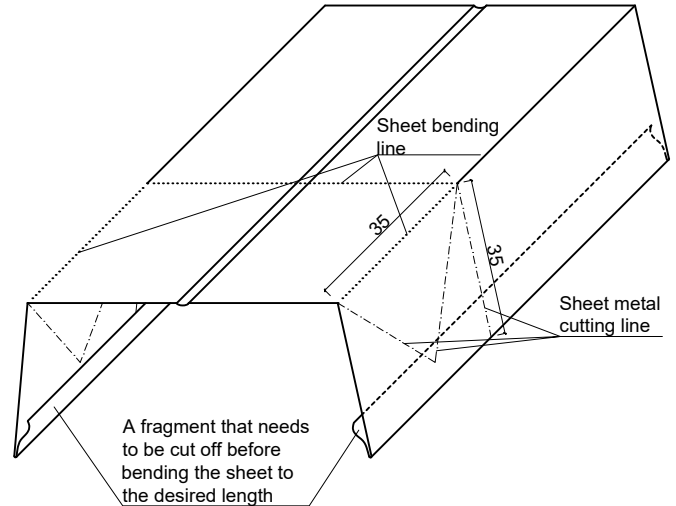
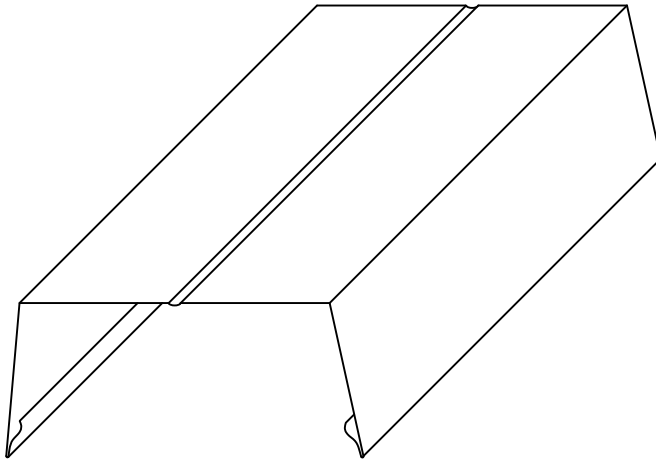
Energy-saving building systems

Drawing number:

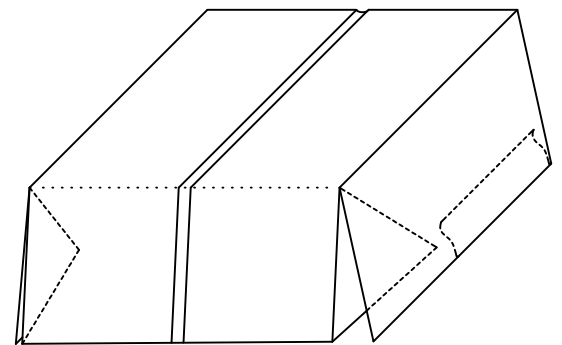
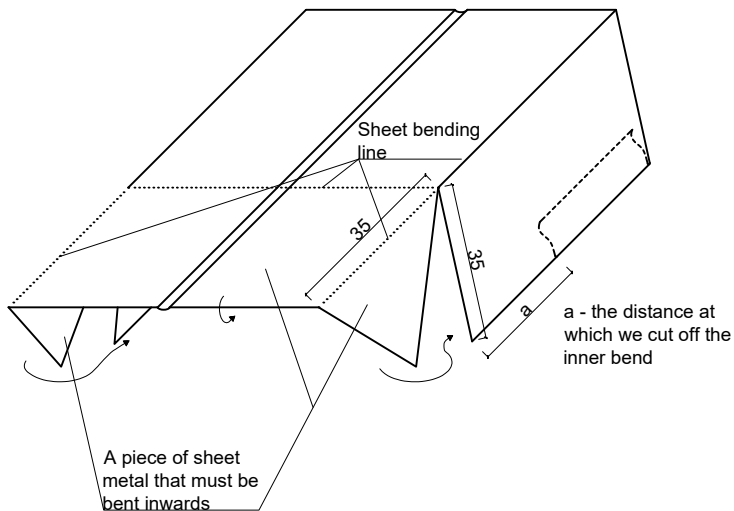
1.10.

End of the roof clip

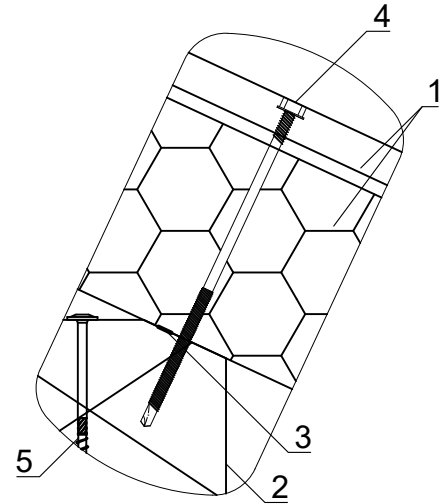
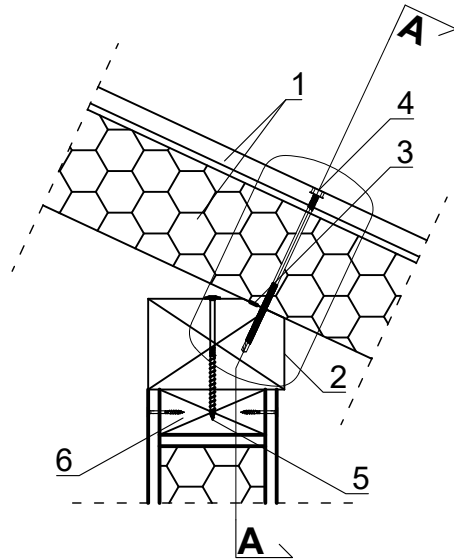
The appearance of the sheet before it is bent inwards



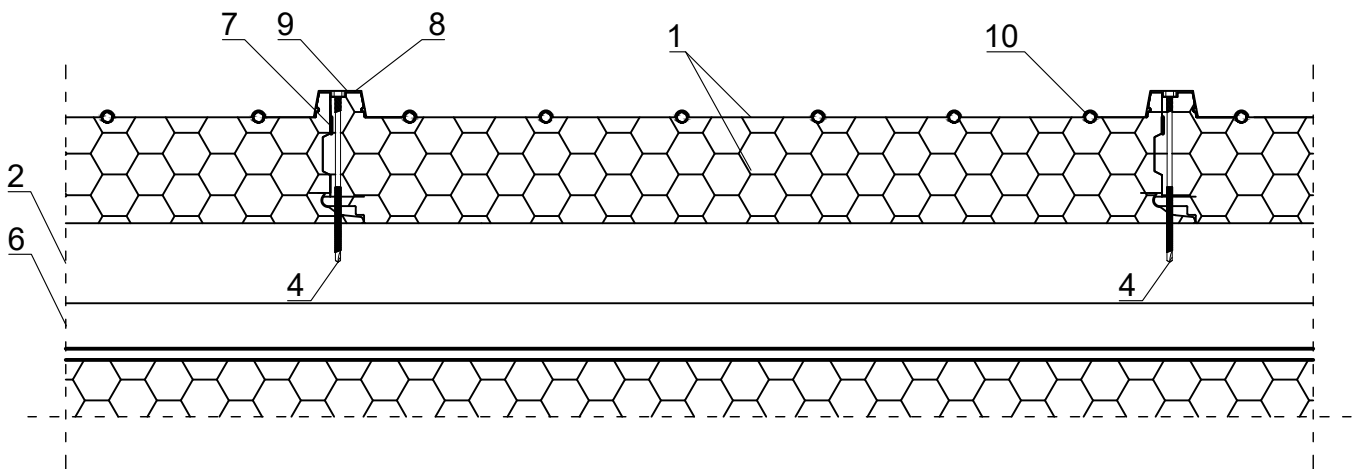
The appearance of the sheet after it is bent to the inside



Connection of Thermont® /Thexpan® roof panels with wall plate

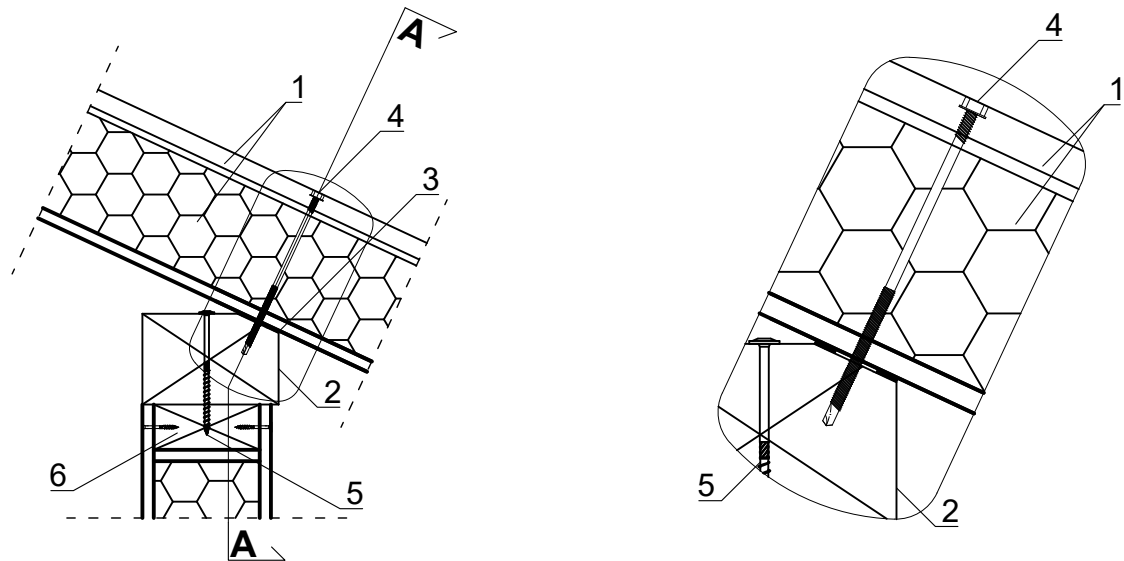


Section A-A

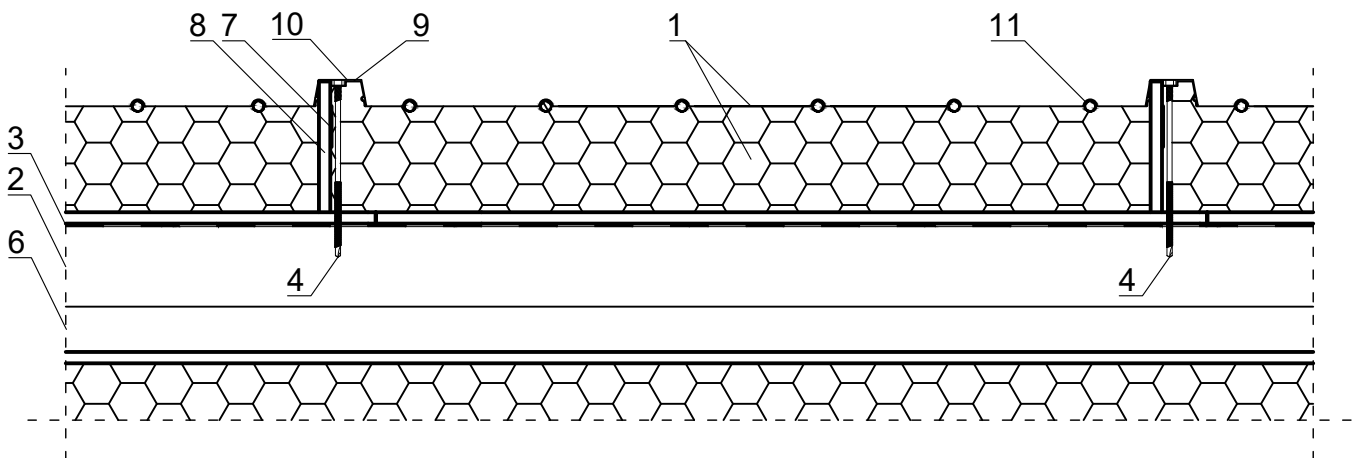


- | | |
|-------------------------------|------------------------------|
| 1. Thermont® / Thexpan® panel | 7. Foam tape |
| 2. Wall plate | 8. Sealing tape |
| 3. Sheet cutting | 9. Roof clips |
| 4. Fastener | 10. Heat exchanger |
| 5. Disc head screw 8x160 | (in case of Thexpan® panels) |
| 6. Headplate (KVH/C24) | |

Connection of Thermont[®]_{plus} / Thexpan[®]_{plus} roof panels with wall plate

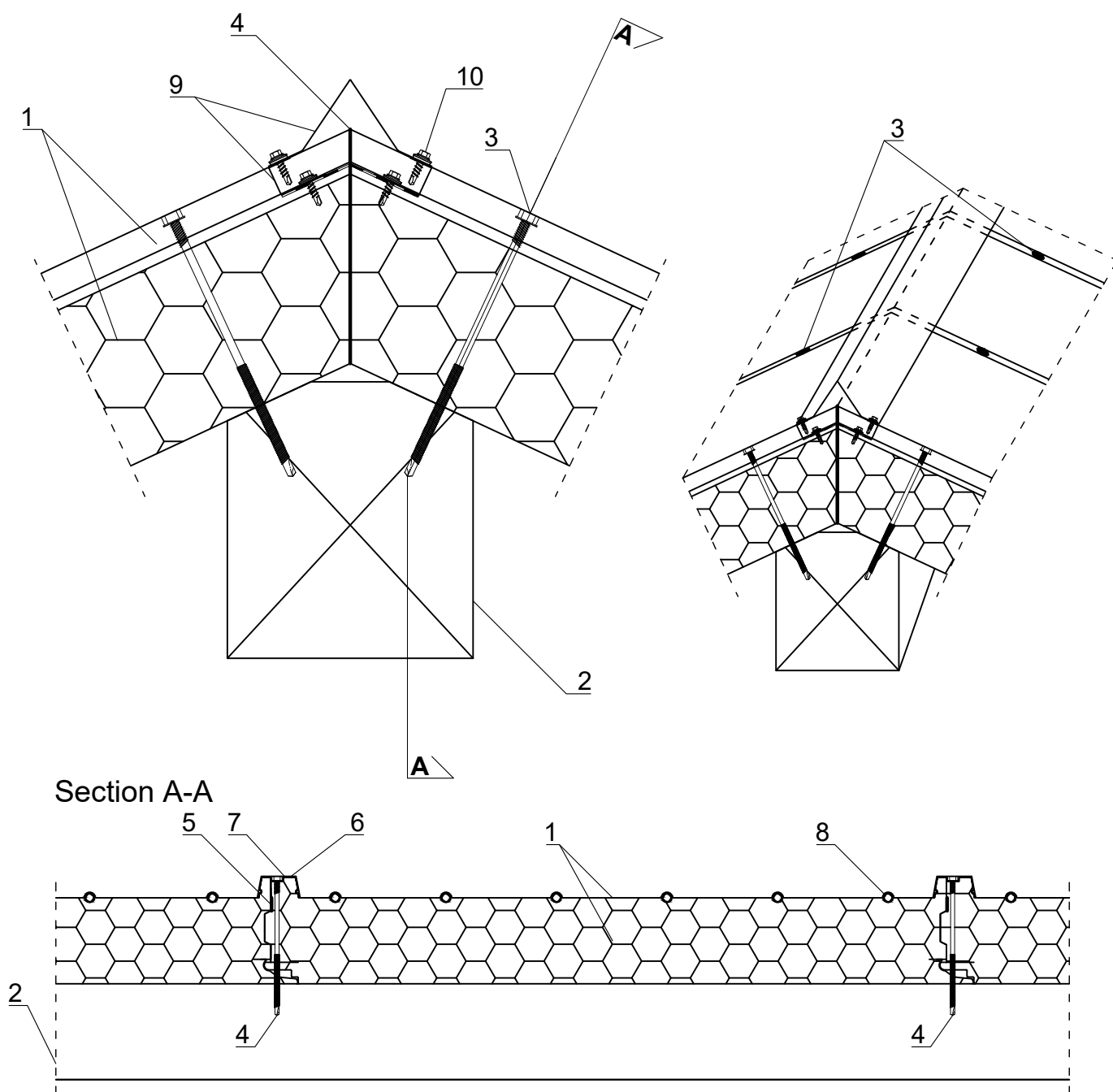


Section A-A



- | | |
|---|--|
| 1. Thermont [®] _{plus} / Thexpan [®] _{plus} panel | 7. Foam tape |
| 2. Wall plate | 8. OSB plate |
| 3. Expanding tape | 9. Sealing tape |
| 4. Fastener | 10. Roof clips |
| 5. Disc head crew 8x160 | 11. Heat exchanger |
| 6. Headplate (KVH/C24) | (in case of Thexpan [®] _{plus} panels) |

Standard connection of Thermont[®] / Thexpan[®] roof panels with ridge beam - option 1



- | | |
|---|---|
| 1. Thermont [®] / Thexpan [®] panel | 7. Roof clips |
| 2. Wooden ridge beam | 8. Heat exchanger
(in case of Thexpan [®] panels) |
| 3. Fastener | 9. Flashing
(according to figure 4.9.) |
| 4. Sealing | 10. Sheet metal screws |
| 5. Foam tape | |
| 6. Sealing tape | |



Solcraft Sp. z o.o.

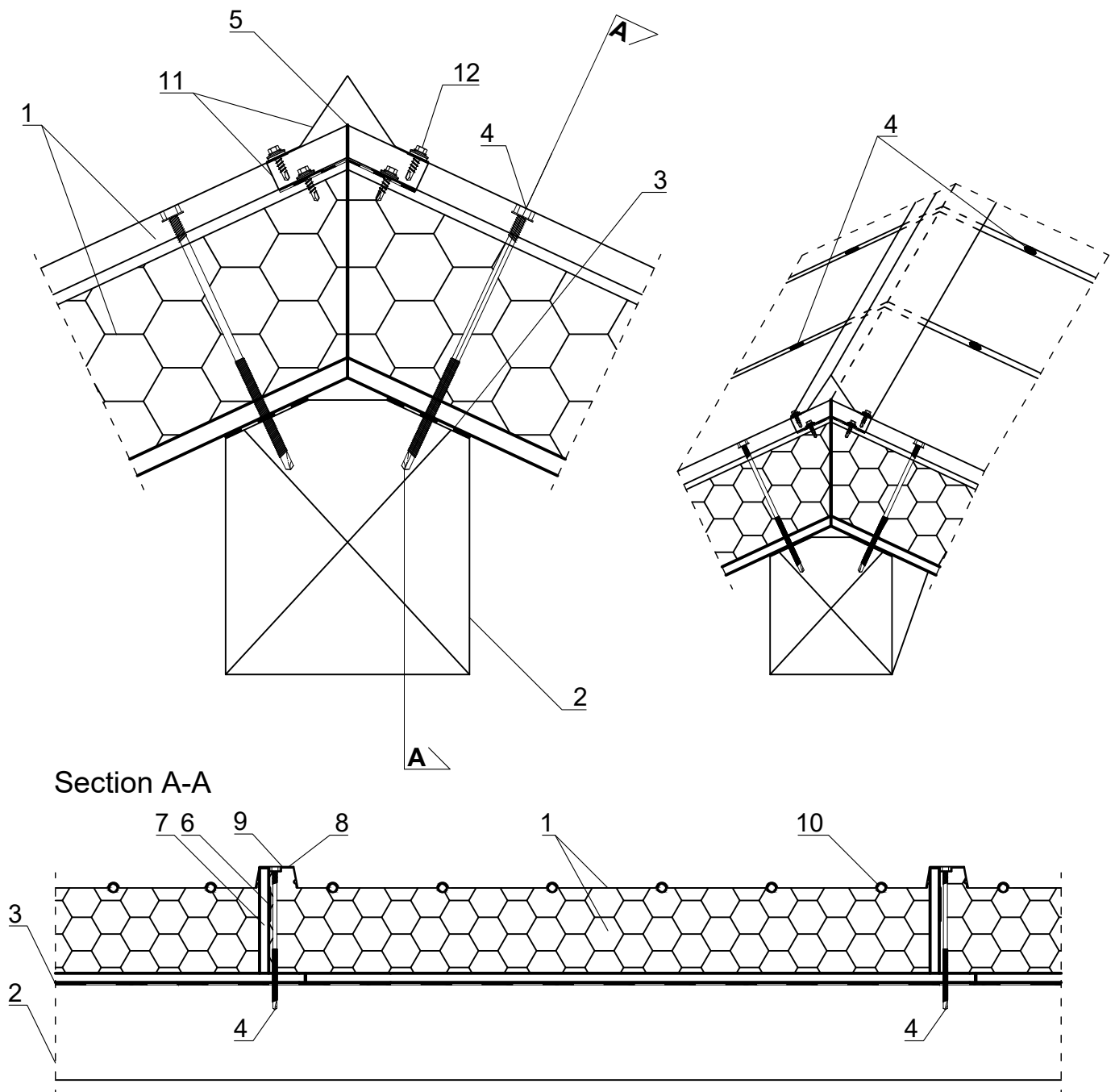
Bogdanka 7f biuro@solcraft.pl
95-060 Brzeziny www.solcraft.pl
tel. +48 22 723 83 27

H-Block[®], Thexpan[®], Thermont[®], Frigothex[®] Drawing number:

Energy-saving building systems

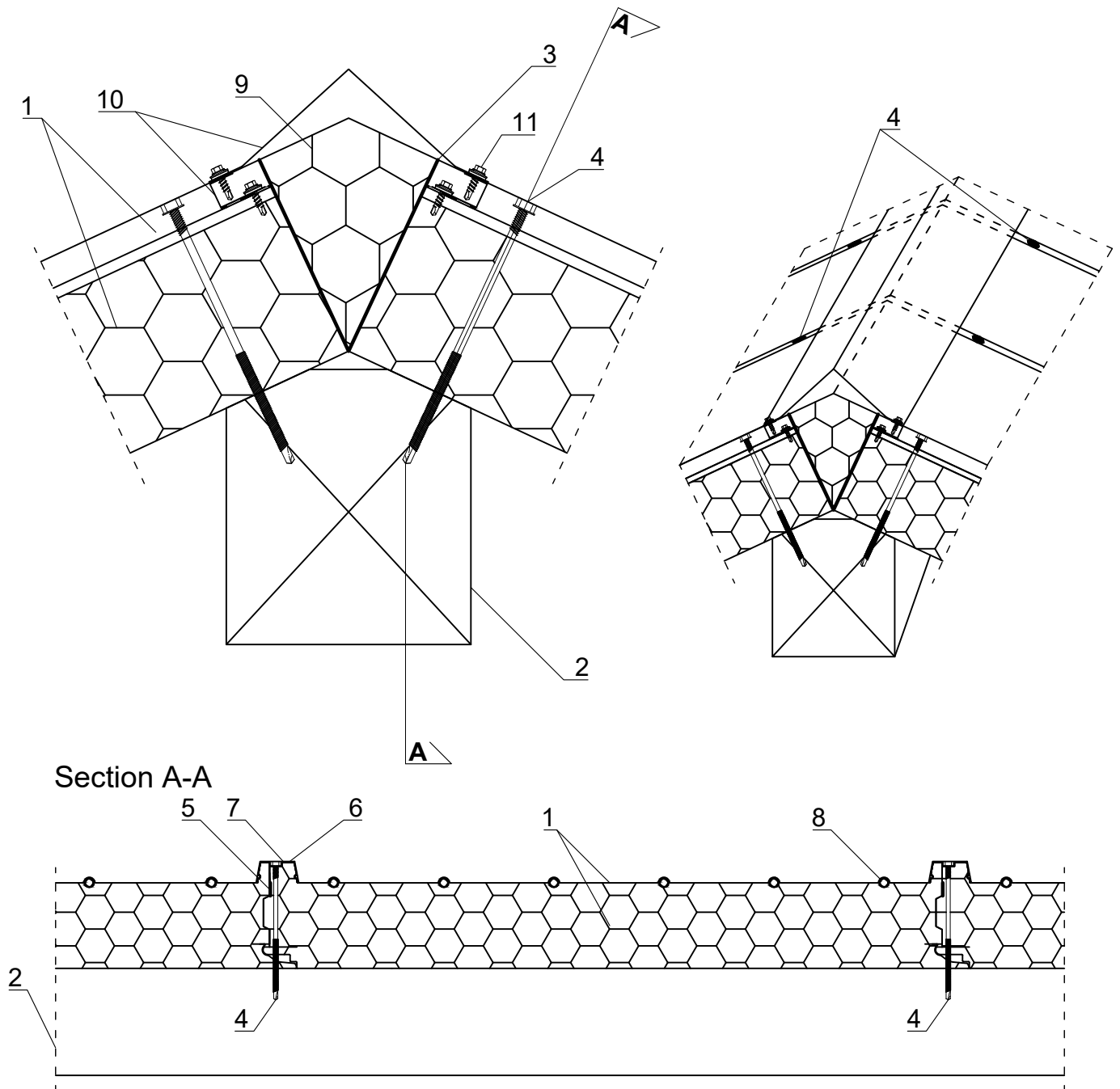
4.1.

Standard connection of Thermont[®] / Thexpan[®] plus roof panels with ridge beam - option 1



- | | |
|--|---|
| 1. Thermont [®] / Thexpan [®] plus panel | 8. Sealing tape |
| 2. Wooden ridge beam | 9. Roof clips |
| 3. Expanding tape | 10. Heat exchanger
(in case of Thexpan [®] plus panels) |
| 4. Fastener | 11. Flashing
(according to figure 4.10.) |
| 5. Sealing | 12. Sheet metal screws |
| 6. Foam tape | |
| 7. OSB plate | |

Standard connection of Thermont[®] / Thexpan[®] with ridge beam - option 2



- | | |
|---|---|
| 1. Thermont [®] / Thexpan [®] panel | 8. Heat exchanger
(in case of Thexpan [®] panels) |
| 2. Wooden ridge beam | 9. Polyurethane wedge |
| 3. Sealing | 10. Flashing
(according to figure 4.11.) |
| 4. Fastener | 11. Sheet metal screws |
| 5. Foam tape | |
| 6. Sealing tape | |
| 7. Roof clips | |



Solcraft Sp. z o.o.

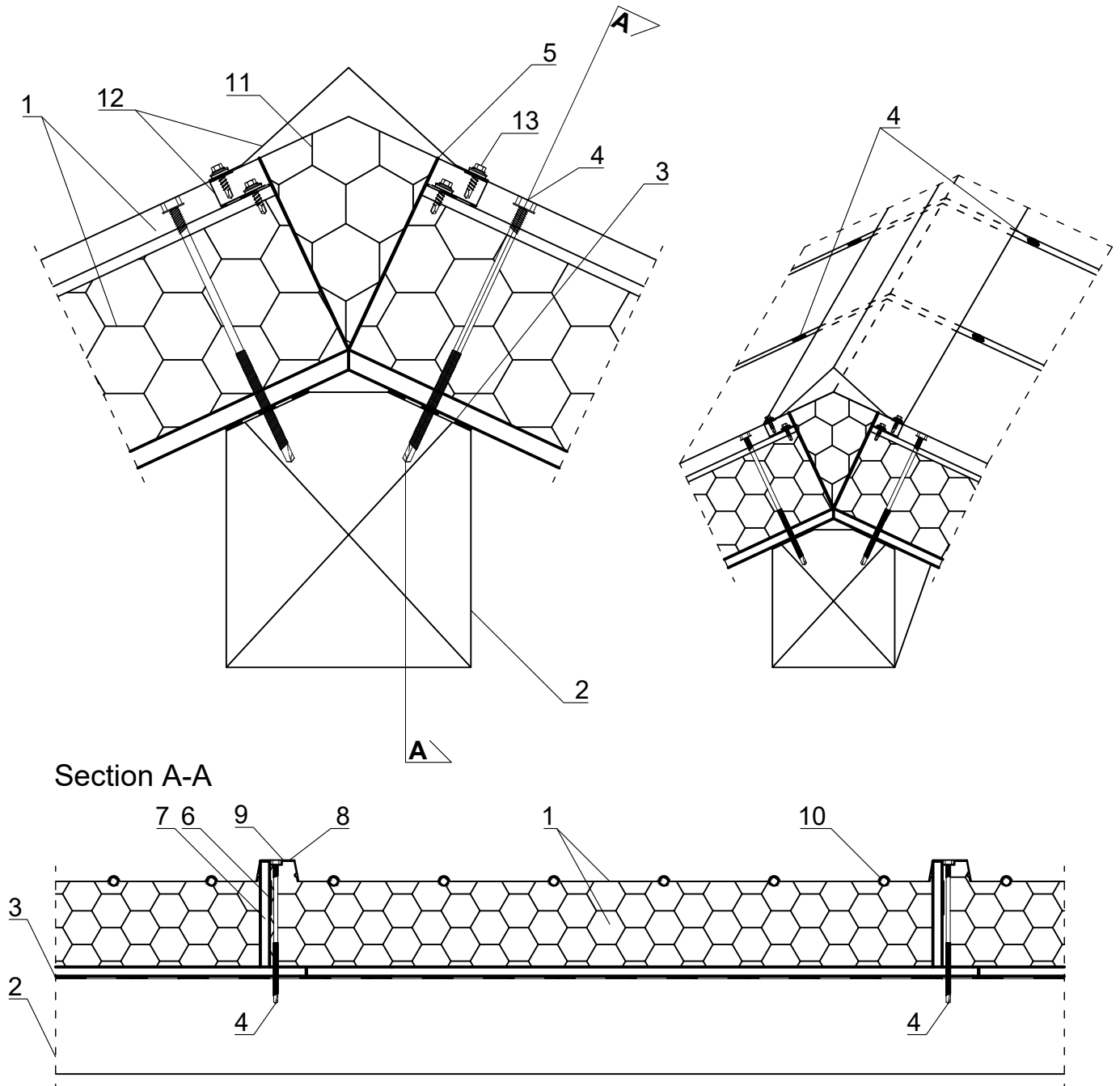
Bogdanka 7f biuro@solcraft.pl
95-060 Brzeziny www.solcraft.pl
tel. +48 22 723 83 27

H-Block[®], Thexpan[®], Thermont[®], Frigothex[®] Drawing number:

Energy-saving building systems

4.3.

Standard connection of Thermont[®] / Thexpan[®] plus roof panels with ridge beam - option 2



1. Thermont[®] / Thexpan[®] plus panel
2. Wooden ridge beam
3. Expanding tape
4. Fastener
5. Sealing
6. Foam tape
7. OSB plate
8. Sealing tape

9. Roof clips
10. Heat exchanger
(in case of Thexpan[®] plus panels[®])
11. Polyurethane wedge
12. Flashing
(according to figure 4.12.)
13. Sheet metal screws



Solcraft Sp. z o.o.

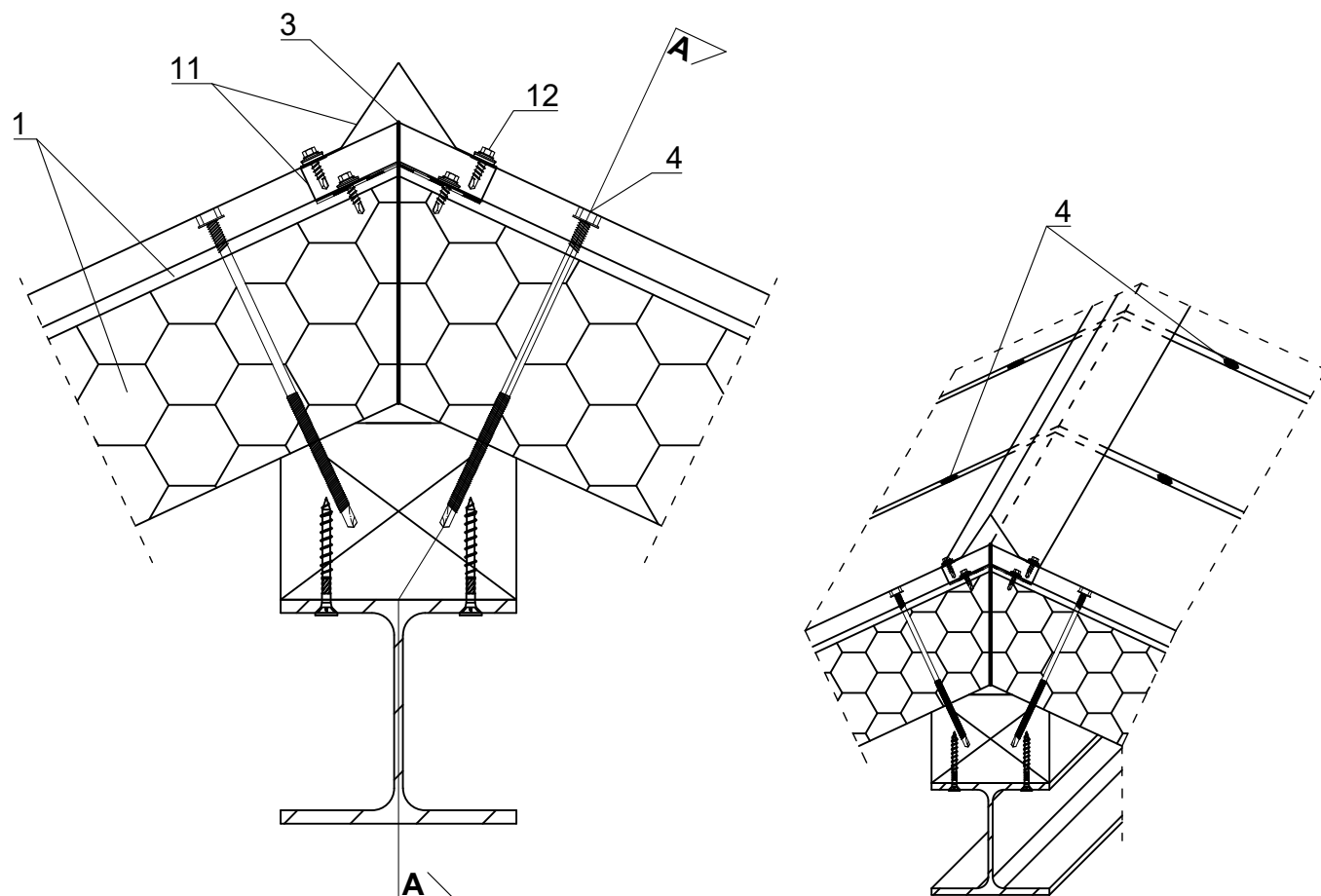
Bogdanka 7f biuro@solcraft.pl
95-060 Brzeziny www.solcraft.pl
tel. +48 22 723 83 27

H-Block[®], Thexpan[®], Thermont[®], Frigothex[®] Drawing number:

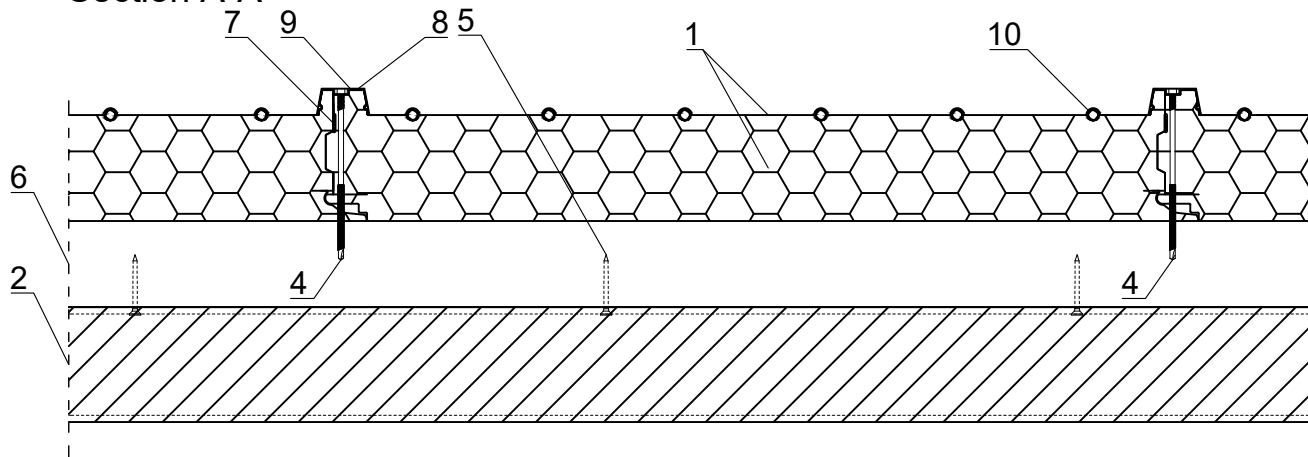
Energy-saving building systems

4.4.

Standard connection of Thermont[®] / Thexpan[®] roof panels with steel ridge beam - option 1



Section A-A



- | | |
|--|--|
| 1. Thermont [®] / Thexpan [®] panel | 7. Foam tape |
| 2. Steel ridge beam | 8. Sealing tape |
| 3. Sealing | 9. Roof clips |
| 4. Fastener | 10. Heat exchanger
(in case of Thexpan [®] panels) |
| 5. Screw with alternating spacing
at intervals of not greater than 40cm | 11. Flashing
(according to figure 4.9.) |
| 6. Wooden beam (KVH/C24) | 12. Sheet metal screws |



Solcraft Sp. z o.o.

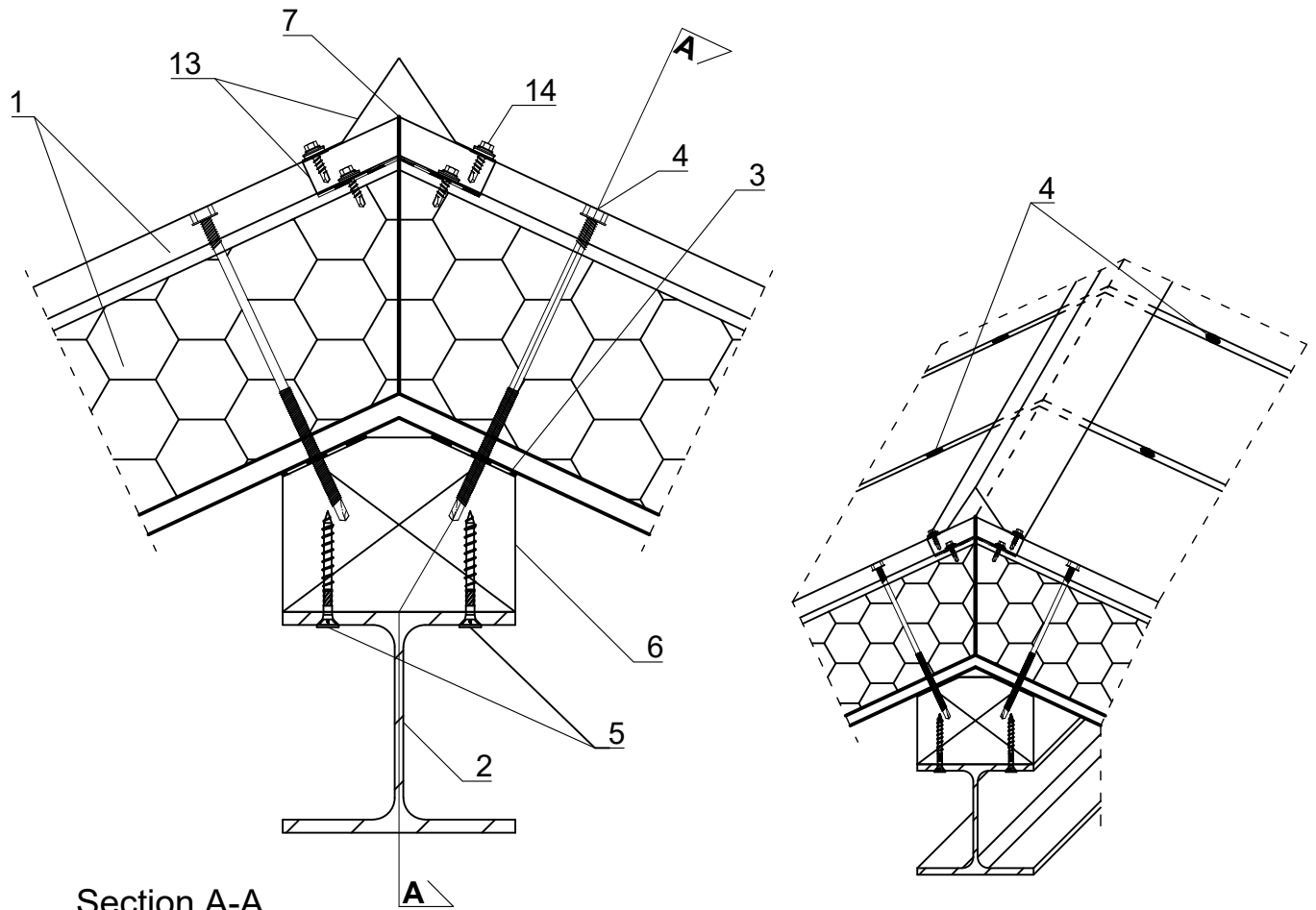
Bogdanka 7f biuro@solcraft.pl
95-060 Brzeziny www.solcraft.pl
tel. +48 22 723 83 27

H-Block[®], Thexpan[®], Thermont[®], Frigothex[®] Drawing number:

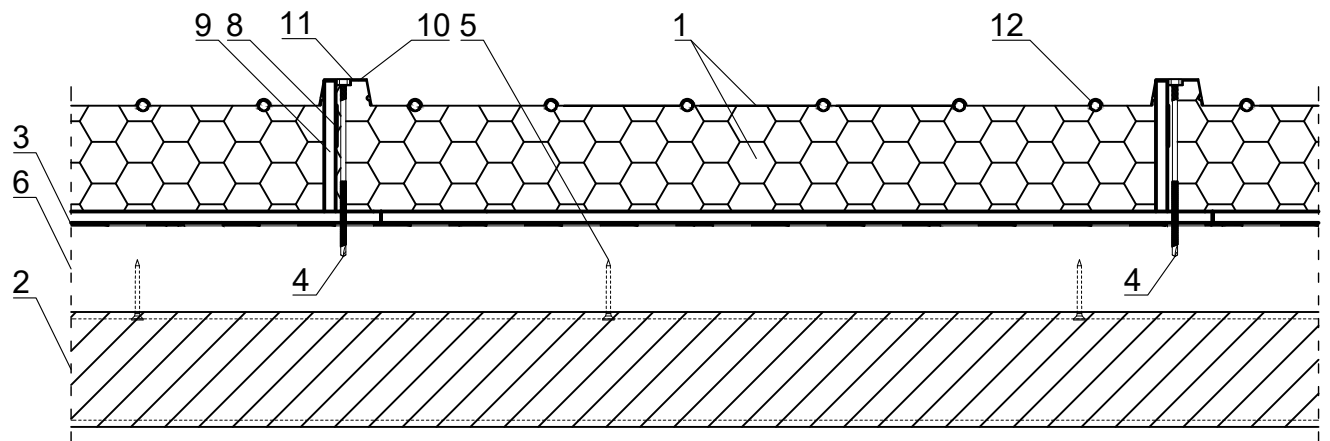
Energy-saving building systems

4.5.

Standard connection of Thermont[®] / Thexpan[®] plus roof panels with steel ridge beam - option 1

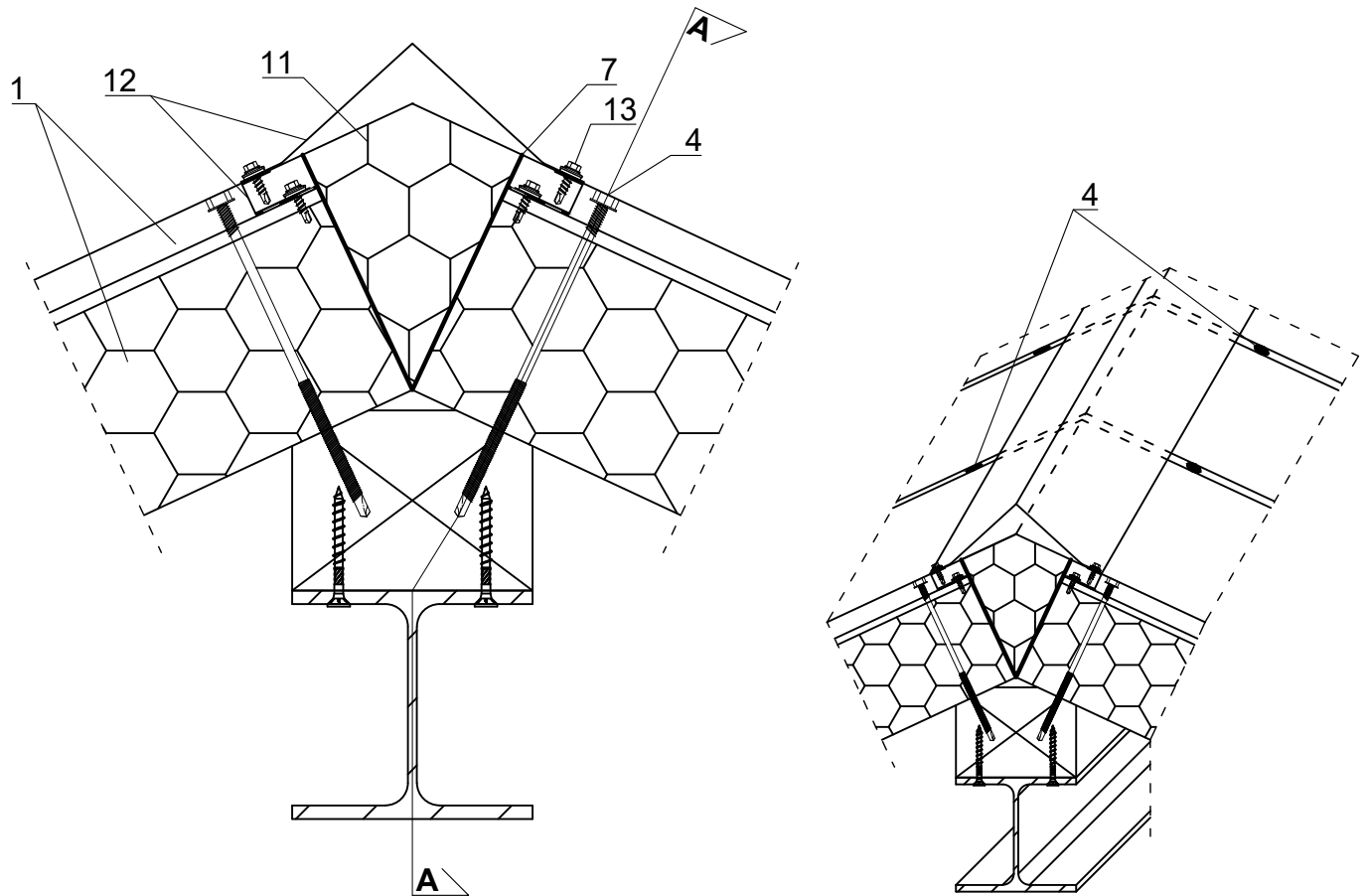


Section A-A

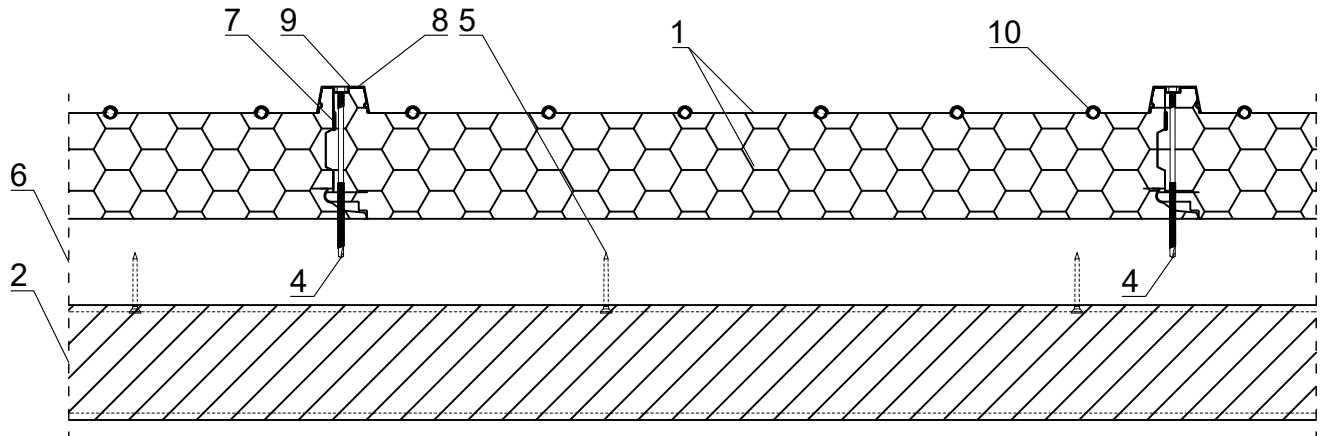


- | | |
|---|---|
| 1. Thermont [®] / Thexpan [®] plus panel | 8. Foam tape |
| 2. Wooden ridge beam | 9. OSB plate |
| 3. Expanding tape | 10. Sealing tape |
| 4. Fastener | 11. Roof clips |
| 5. Screw with alternating spacing at intervals of not greater than 40cm | 12. Heat exchanger (in case Thexpan [®] plus panels) |
| 6. Wooden beam (KVH/C24) | 13. Flashing (according to figure 4.10.) |
| 7. Sealing | 14. Sheet metal screws |

Standard connection of Thermont[®] / Thexpan[®] roof panels with steel ridge beam - option 2



Section A-A



- | | |
|--|--|
| 1. Thermont [®] / Thexpan [®] panel | 8. Sealing tape |
| 2. Steel ridge beam | 9. Roof clips |
| 3. Sealing | 10. Heat exchanger
(in case of Thexpan [®] panels) |
| 4. Fastener | 11. Polyurethane wedge |
| 5. Screw with alternating spacing
at intervals of not greater than 40cm | 12. Flashing
(according to figure. 4.11.) |
| 6. Wooden beam (KVH/C24) | 13. Sheet metal screws |
| 7. Foam tape | |



Solcraft Sp. z o.o.

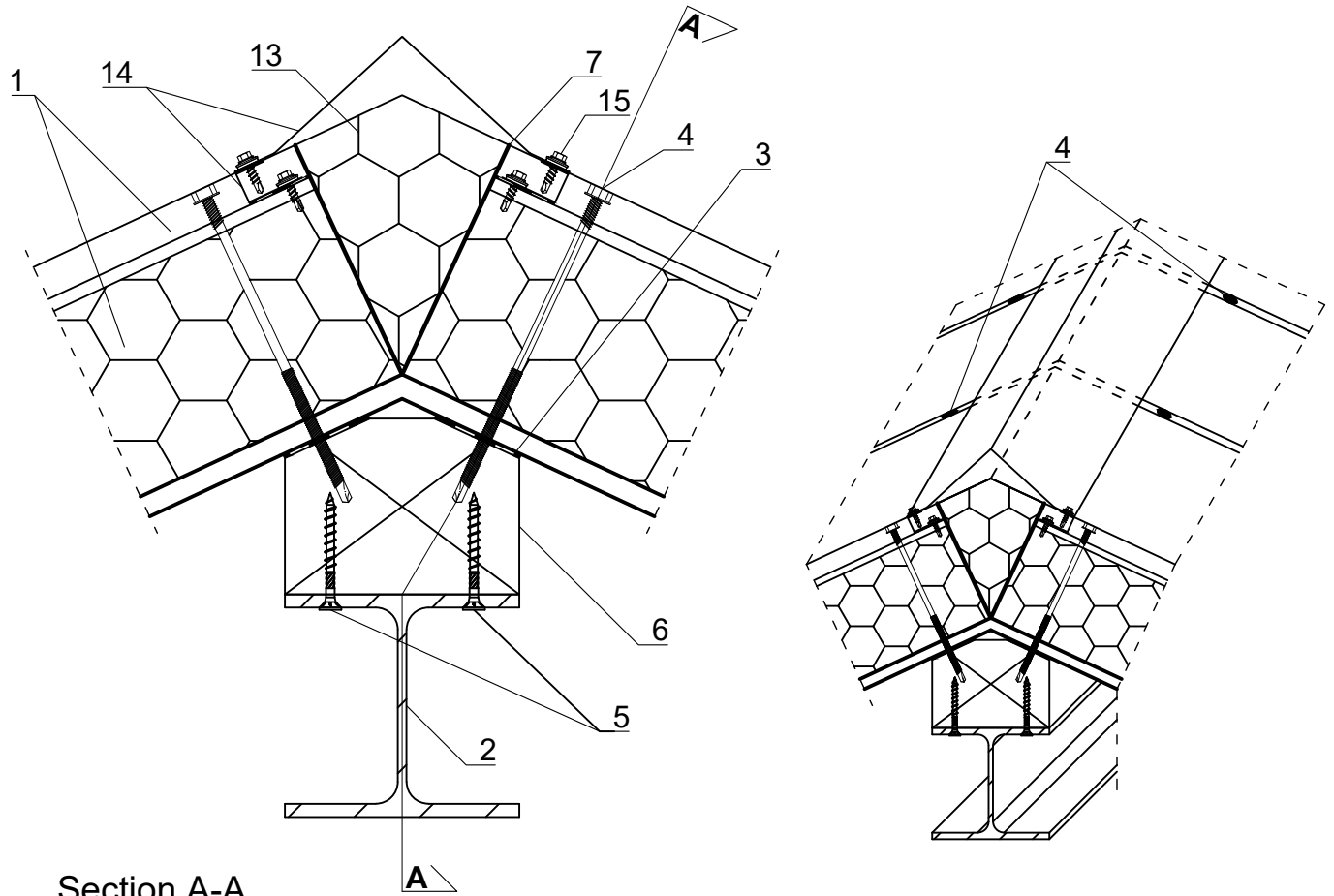
Bogdanka 7f biuro@solcraft.pl
95-060 Brzeziny www.solcraft.pl
tel. +48 22 723 83 27

H-Block[®], Thexpan[®], Thermont[®], Frigothex[®] Drawing number:

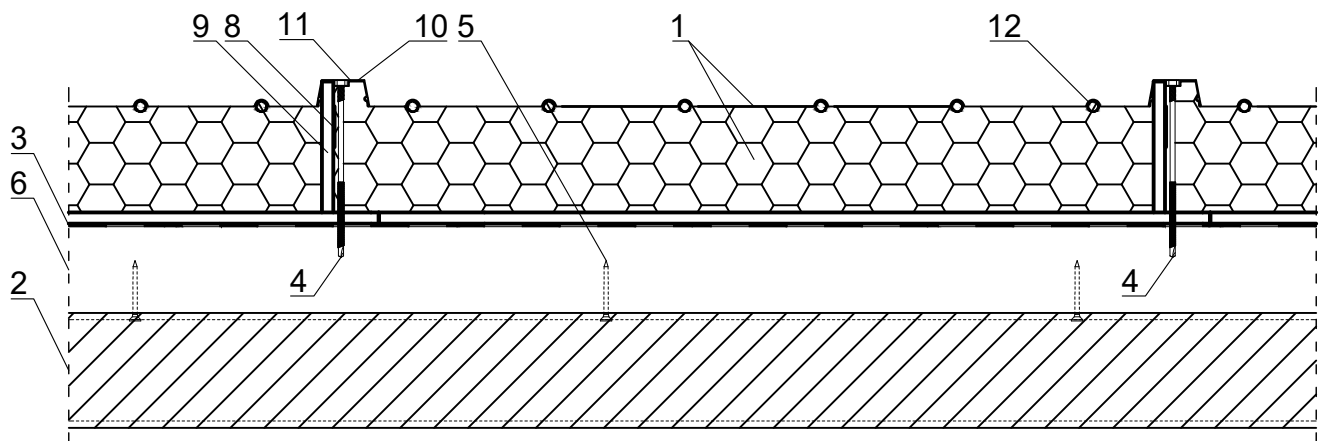
Energy-saving building systems

4.7.

Standard connection of Thermont[®] / Thexpan[®] plus roof panels with steel ridge beam - option 2



Section A-A



- | | |
|---|---|
| 1. Thermont [®] / Thexpan [®] plus panel | 8. Foam tape |
| 2. Wooden ridge beam | 9. OSB plate |
| 3. Expanding tape | 10. Sealing tape |
| 4. Fastner | 11. Roof clips |
| 5. Screw with alternating spacing
at intervals of not greather than 40cm | 12. Heat exchanger
(in case of Thexpan [®] plus panels) |
| 6. Wooden beam (KVH/C24) | 13. Polyutethane wedge |
| 7. Sealing | 14. Flashing (acording to figure 4.12.) |
| | 15. Sheet metal screws |



Solcraft Sp. z o.o.

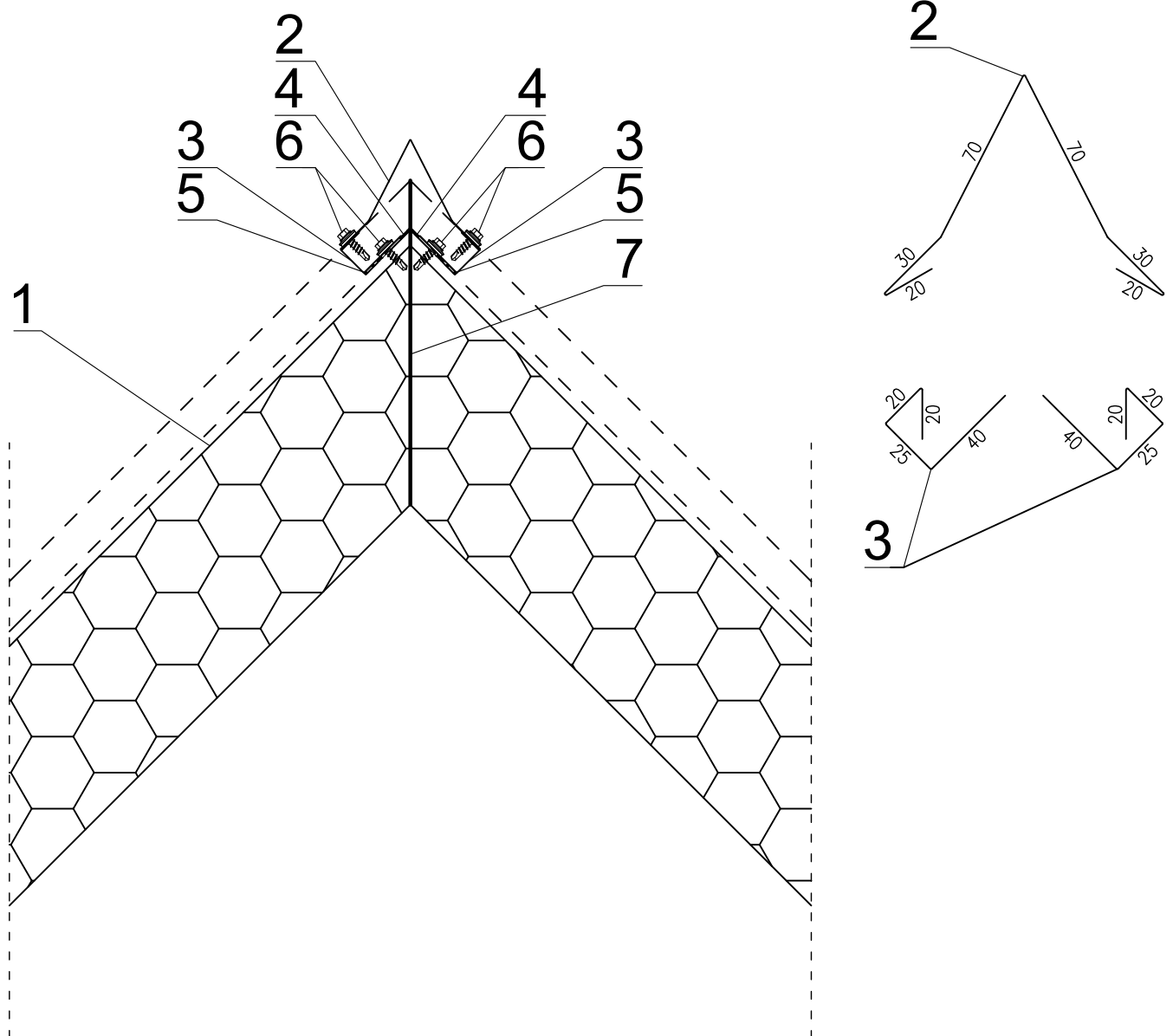
Bogdanka 7f biuro@solcraft.pl
95-060 Brzeziny www.solcraft.pl
tel. +48 22 723 83 27

H-Block[®], Thexpan[®], Thermont[®], Frigothex[®] Drawing number:

Energy-saving building systems

4.8.

Ridge finish made of Thexpan[®] / Thermont[®] panels - option 1



1. Thexpan[®] / Thermont[®] panels
2. Flashing
3. Profile filling the space between the clips
4. Waterproofing
5. Expanding tape
6. Sheet metal screws
7. Sealing



Solcraft Sp. z o.o.

Bogdanka 7f biuro@solcraft.pl
 95-060 Brzeziny www.solcraft.pl
 tel. +48 22 723 83 27

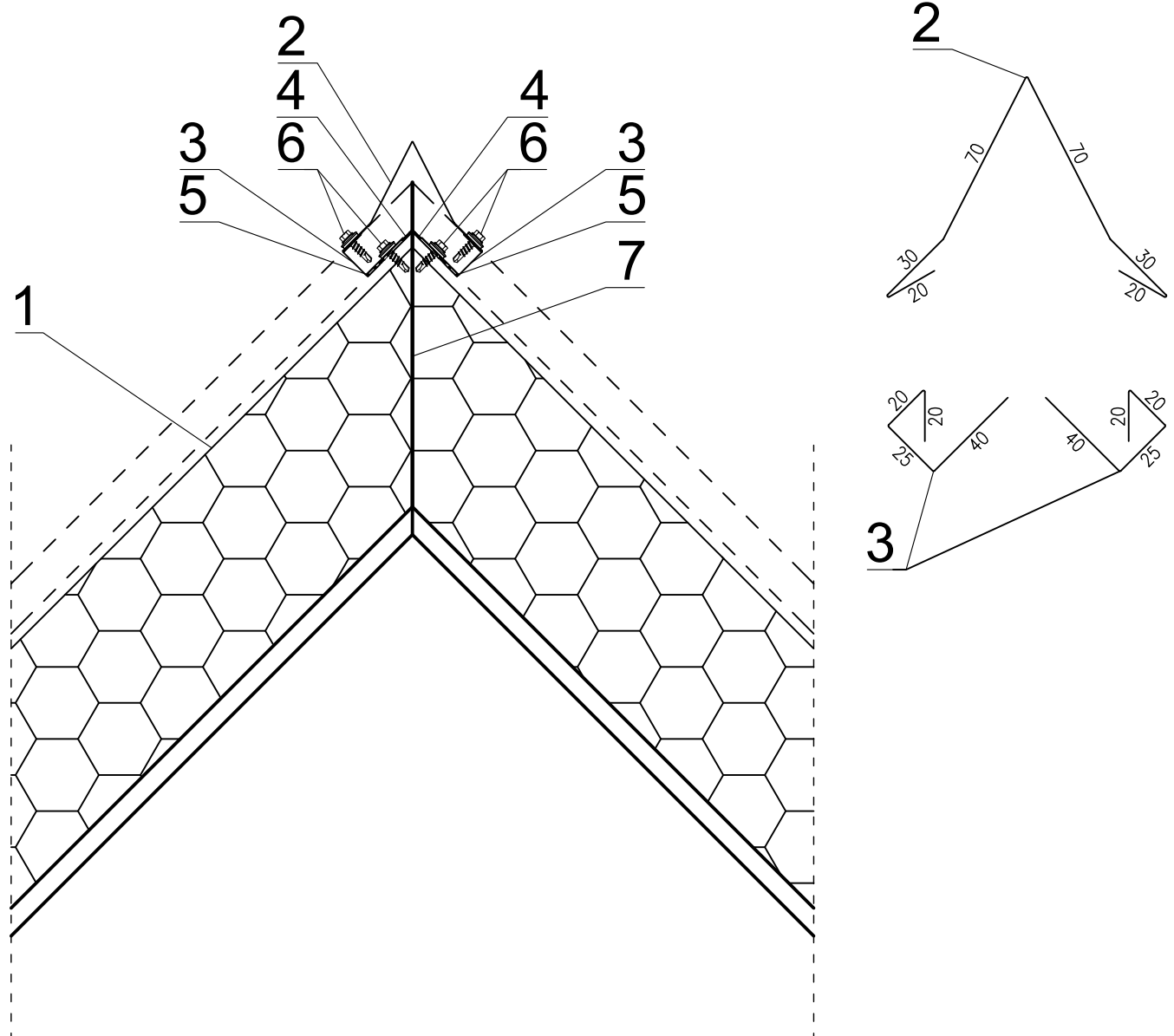
H-Block[®], Thexpan[®], Thermont[®], Frigothex[®]

Energy-saving building systems

Drawing number:

4.9.

Ridge finish made of Thexpan[®]_{plus} / Thermont[®]_{plus} panels - option 1



1. Thexpan[®]_{plus} / Thermont[®]_{plus} panels
2. Flashing
3. Profile filling the space between the clips
4. Waterproofing
5. Expanding tape
6. Sheet metal screws
7. Sealing



Solcraft Sp. z o.o.

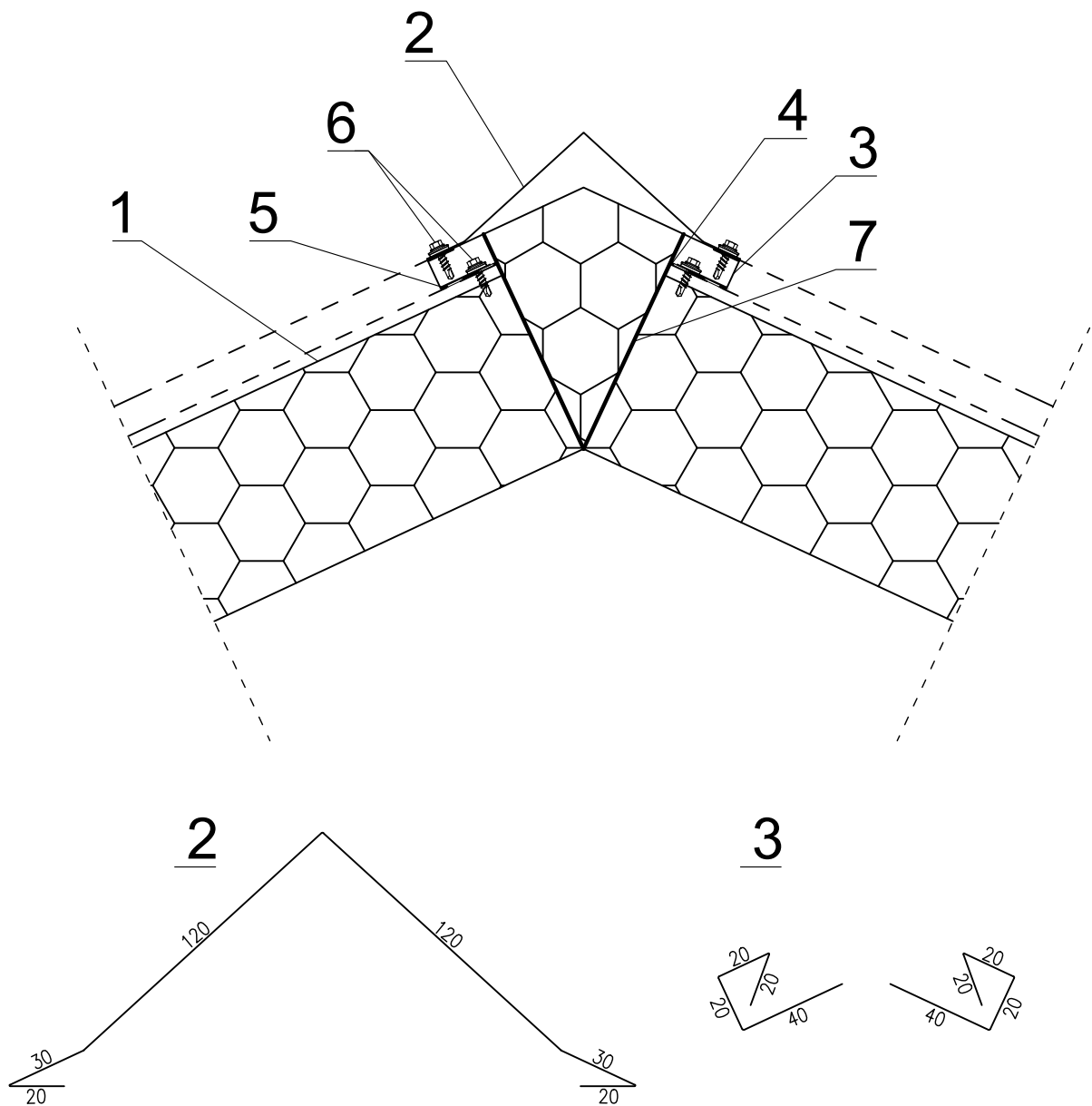
Bogdanka 7f biuro@solcraft.pl
 95-060 Brzeziny www.solcraft.pl
 tel. +48 22 723 83 27

H-Block[®], Thexpan[®], Thermont[®], Frigothex[®] Drawing number:

Energy-saving building systems

4.10.

Ridge finish made of Thexpan[®] / Thermont[®] panels - option 2



1. Thexpan[®] / Thermont[®] panels
2. Flashing
3. Profile filling the space between the clips
4. Waterproofing
5. Expanding tape
6. Sheet metal screws
7. Sealing



Solcraft Sp. z o.o.

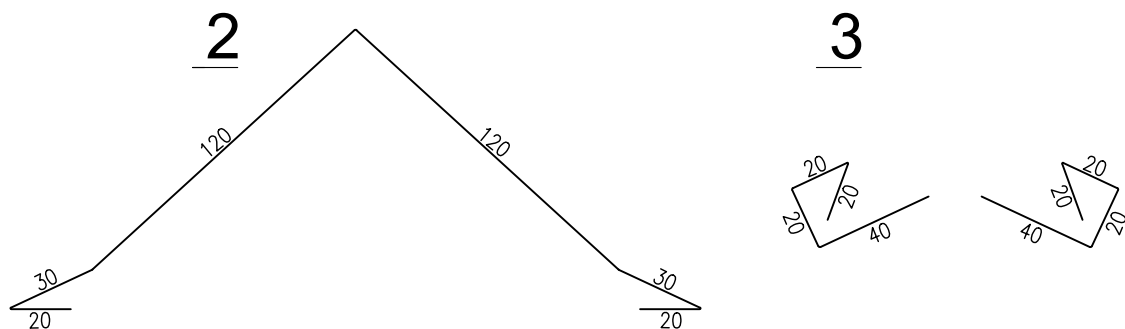
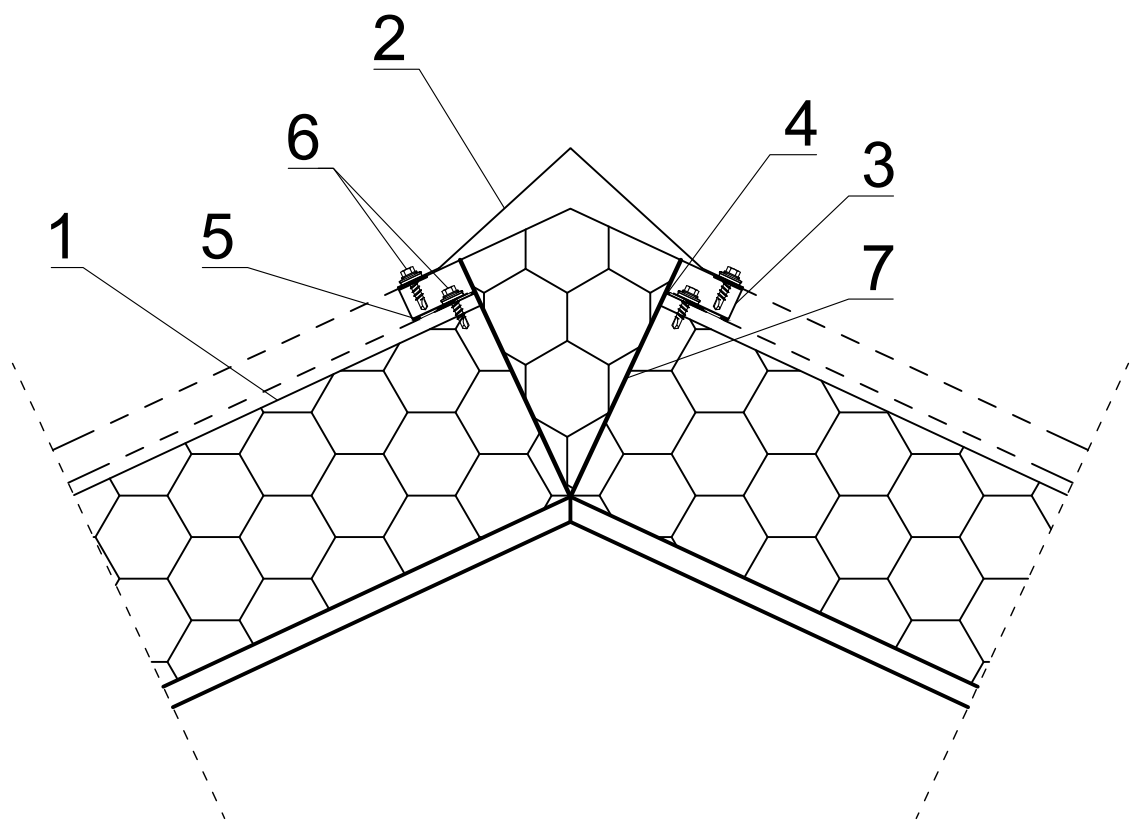
Bogdanka 7f biuro@solcraft.pl
 95-060 Brzeziny www.solcraft.pl
 tel. +48 22 723 83 27

H-Block[®], Thexpan[®], Thermont[®], Frigothex[®] Drawing number:

Energy-saving building systems

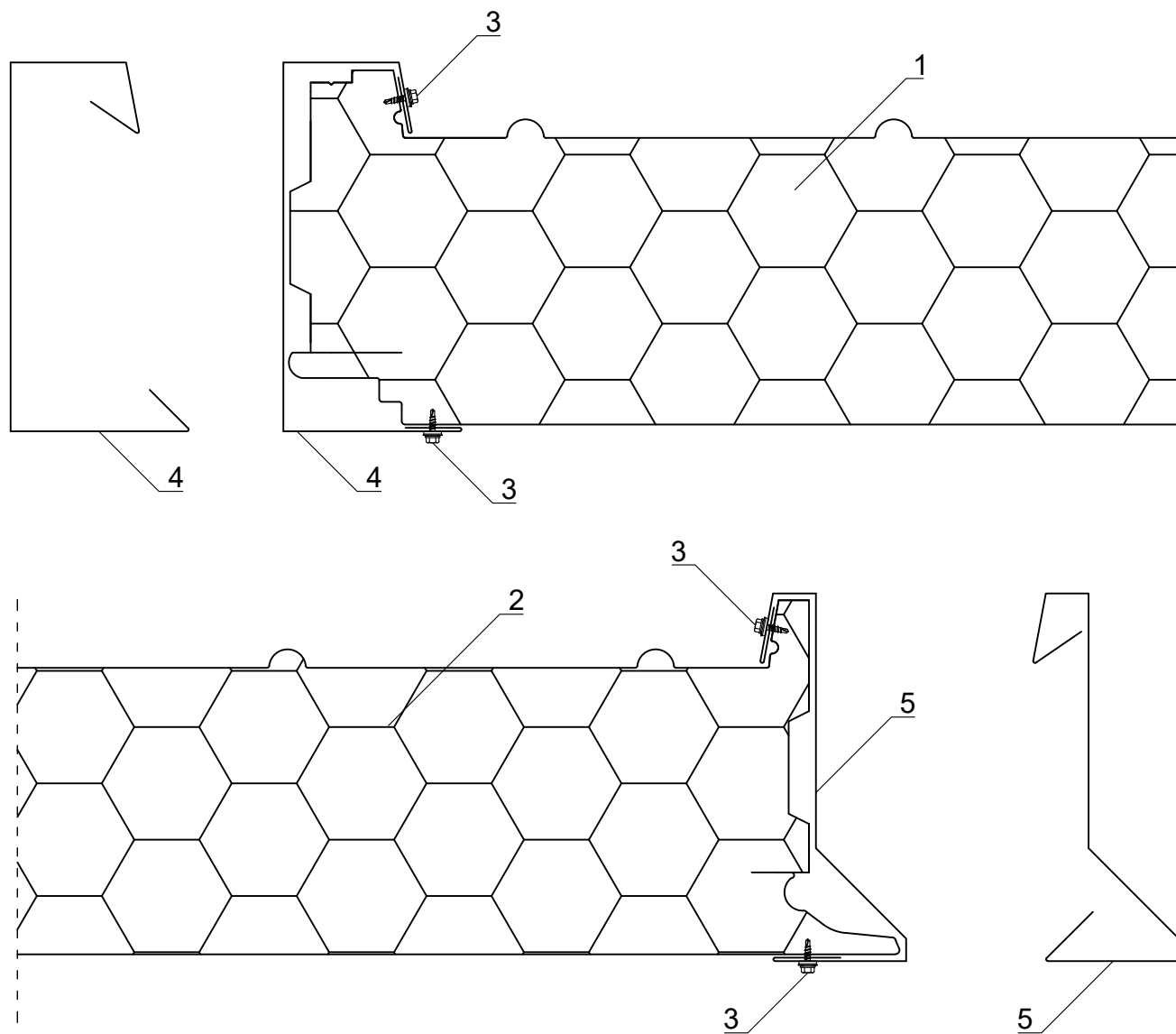
4.11.

Ridge finish made of Thexpan[®]_{plus} / Thermont[®]_{plus} panels - option 2



1. Thexpan[®]_{plus} / Thermont[®]_{plus} panels
2. Flashings
3. Profile filling the space between the clips
4. Waterproofing
5. Expanding tape
6. Sheet metal screws
7. Sealing

Thermont[®] / Thexpan[®] - end of the roof plate in the wind brace



- 1. Right roof plate
- 2. Left roof plate
- 3. Sheet metal screws

- 4. Wind brace flashing (right)
- 5. Wind brace flashing (left)



Solcraft Sp. z o.o.

Bogdanka 7f biuro@solcraft.pl
 95-060 Brzeziny www.solcraft.pl
 tel. +48 22 723 83 27

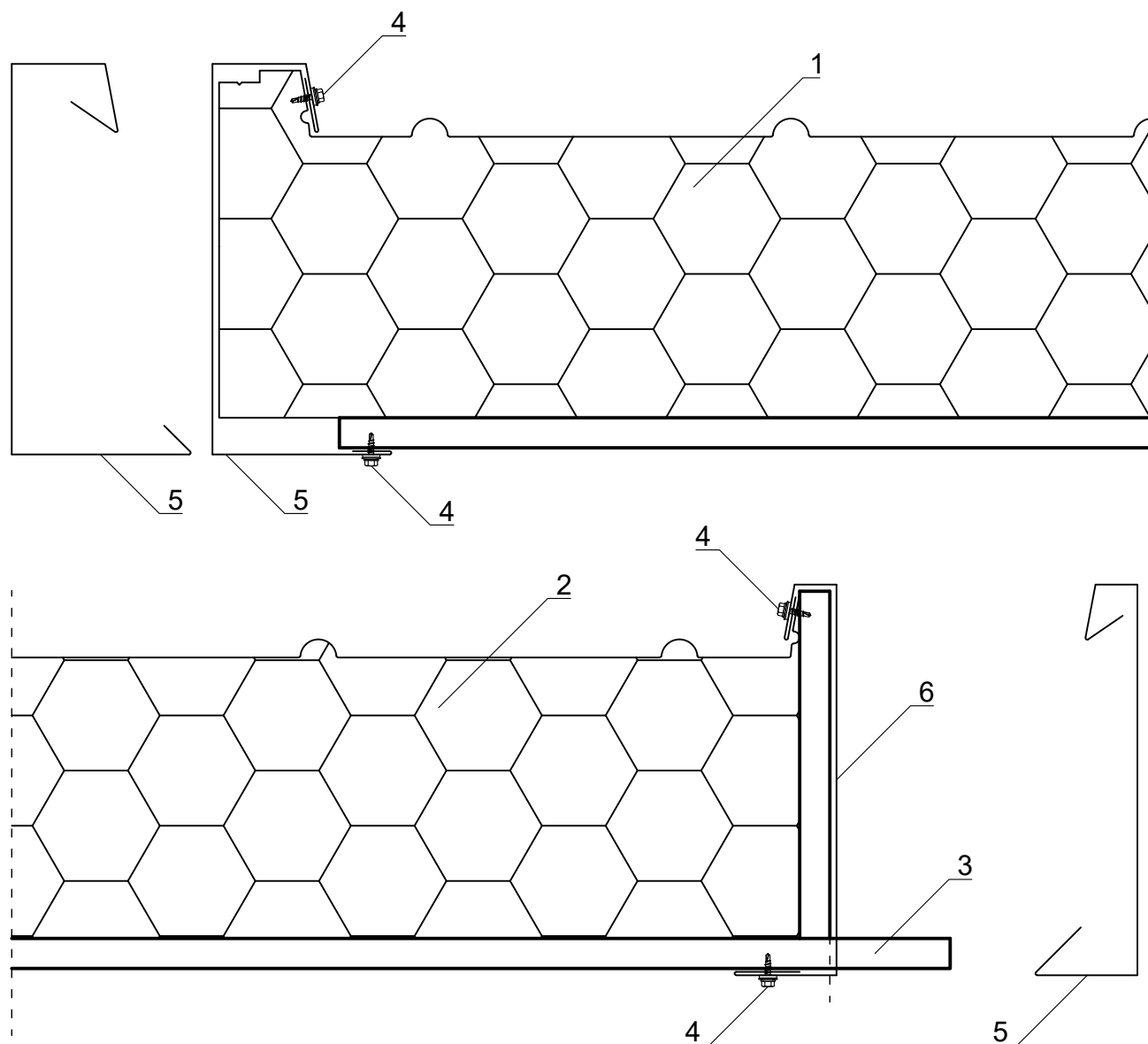
H-Block[®], Thexpan[®], Thermont[®], Frigothex[®]

Energy-saving building systems

Drawing number:

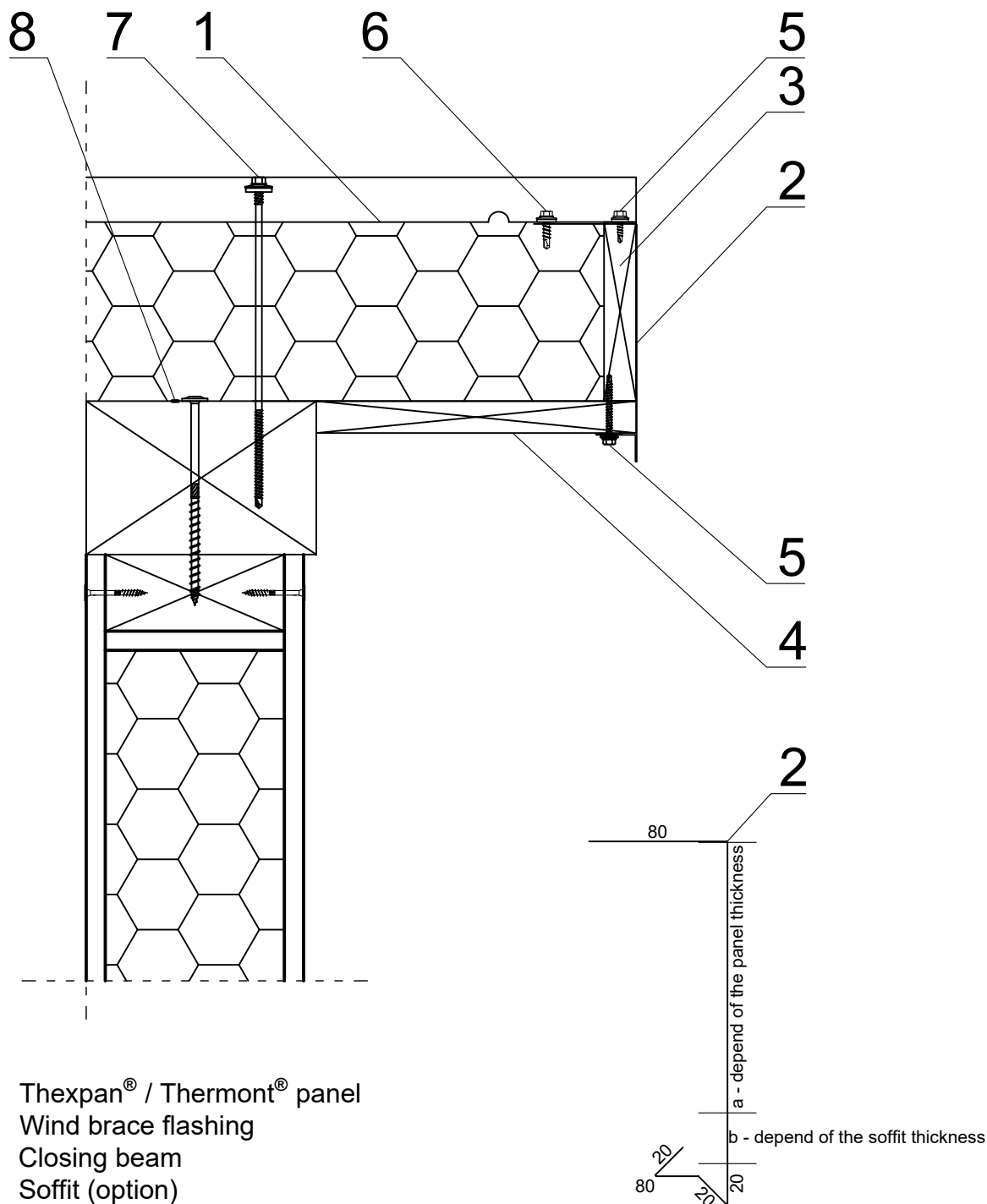
5.1.

Thermont[®]_{plus} / Thexpan[®]_{plus} - end of the roof plate in the wind brace



- | | |
|------------------------------|--------------------------------|
| 1. Right roof plate | 4. Sheet metal screws |
| 2. Left roof plate | 5. Wind brace flashing (right) |
| 3. Part of the OSB to be cut | 6. Wind brace flashing (left) |

Ending of the wind brace in roof with Thermont[®] / Thexpan[®] panels



1. Thexpan[®] / Thermont[®] panel
2. Wind brace flashing
3. Closing beam
4. Soffit (option)
5. Screw for joining sheet metal with wood
6. Sheet metal screws
7. Fastener
8. Sheet cutting



Solcraft Sp. z o.o.

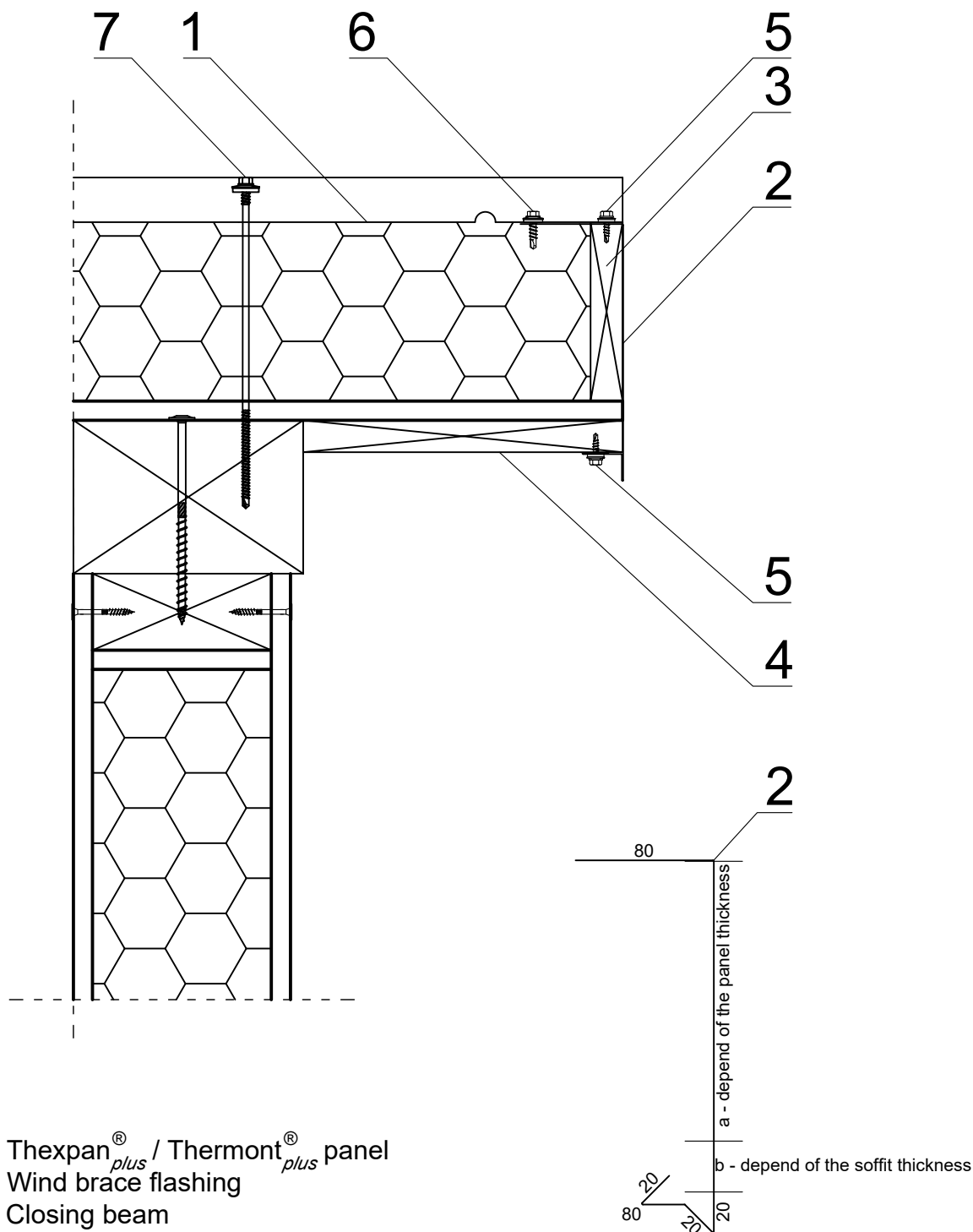
Bogdanka 7f biuro@solcraft.pl
 95-060 Brzeziny www.solcraft.pl
 tel. +48 22 723 83 27

H-Block[®], Thexpan[®], Thermont[®], Frigothex[®] Drawing number:

Energy-saving building systems

5.3.

Ending of the wind brace in roof with Thermon[®]_{plus} / Thexpan[®]_{plus} panels



1. Thexpan[®]_{plus} / Thermon[®]_{plus} panel
2. Wind brace flashing
3. Closing beam
4. Soffit (option)
5. Screw for joining sheet metal with wood
6. Sheet metal screws
7. Fastener



Solcraft Sp. z o.o.

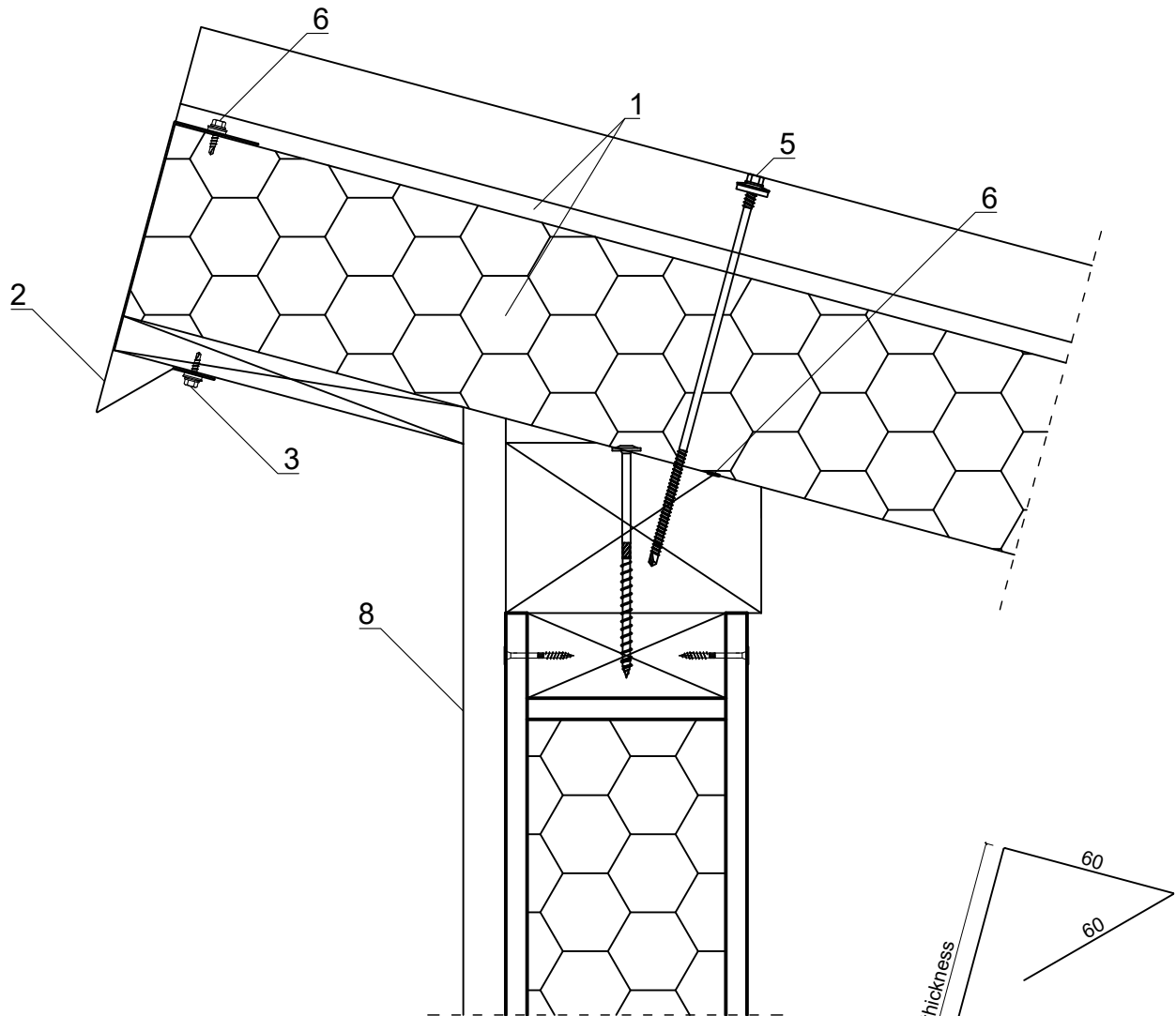
Bogdanka 7f biuro@solcraft.pl
95-060 Brzeziny www.solcraft.pl
tel. +48 22 723 83 27

H-Block[®], Thexpan[®], Thermon[®], Frigothex[®] Drawing number:

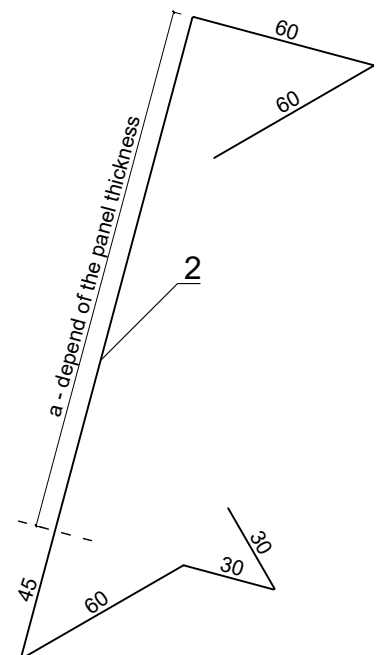
Energy-saving building systems

5.4.

Ending of the Thermont[®] / Thexpan[®] panel in a shed roof at the top of the building



1. Thermont[®] / Thexpan[®] panel
2. Top flashing
3. Screw for joining sheet metal with wood
4. Sheet metal screws
5. Fastener
6. Sheet cutting
7. Soffit
8. External finishes



Solcraft Sp. z o.o.

Bogdanka 7f biuro@solcraft.pl
 95-060 Brzeziny www.solcraft.pl
 tel. +48 22 723 83 27

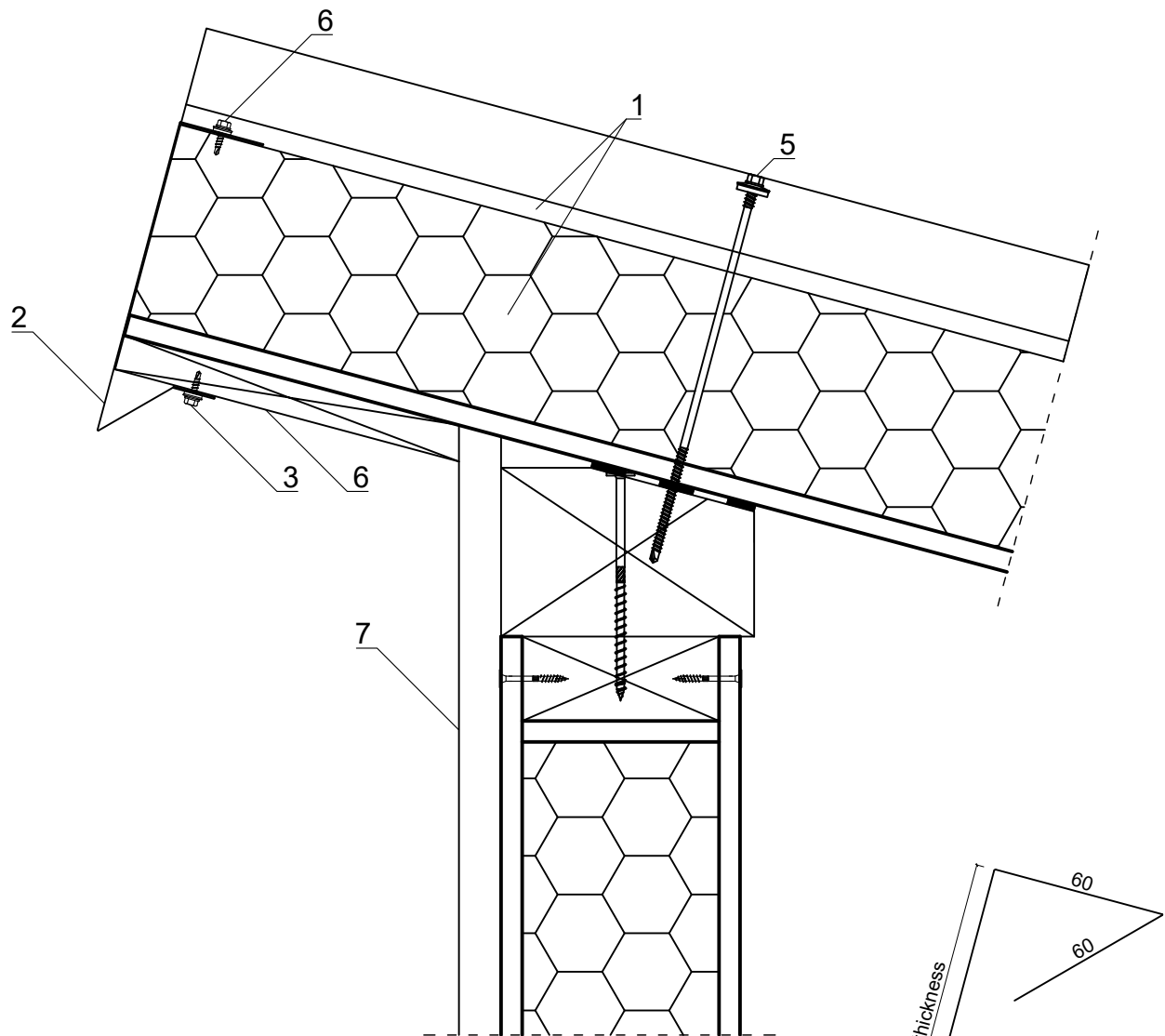
H-Block[®], Thexpan[®], Thermont[®], Frigothex[®]

Energy-saving building systems

Drawing number:

5.5.

Ending of the Thermont[®]_{plus} / Thexpan[®]_{plus} panel in a shed roof at the top of the building



1. Thermont[®]_{plus} / Thexpan[®]_{plus} panel
2. Top flashing
3. Screw for joining sheet metal with wood
4. Sheet metal screws
5. Fastener
6. Soffit
7. External finishes



Solcraft Sp. z o.o.

Bogdanka 7f biuro@solcraft.pl
 95-060 Brzeziny www.solcraft.pl
 tel. +48 22 723 83 27

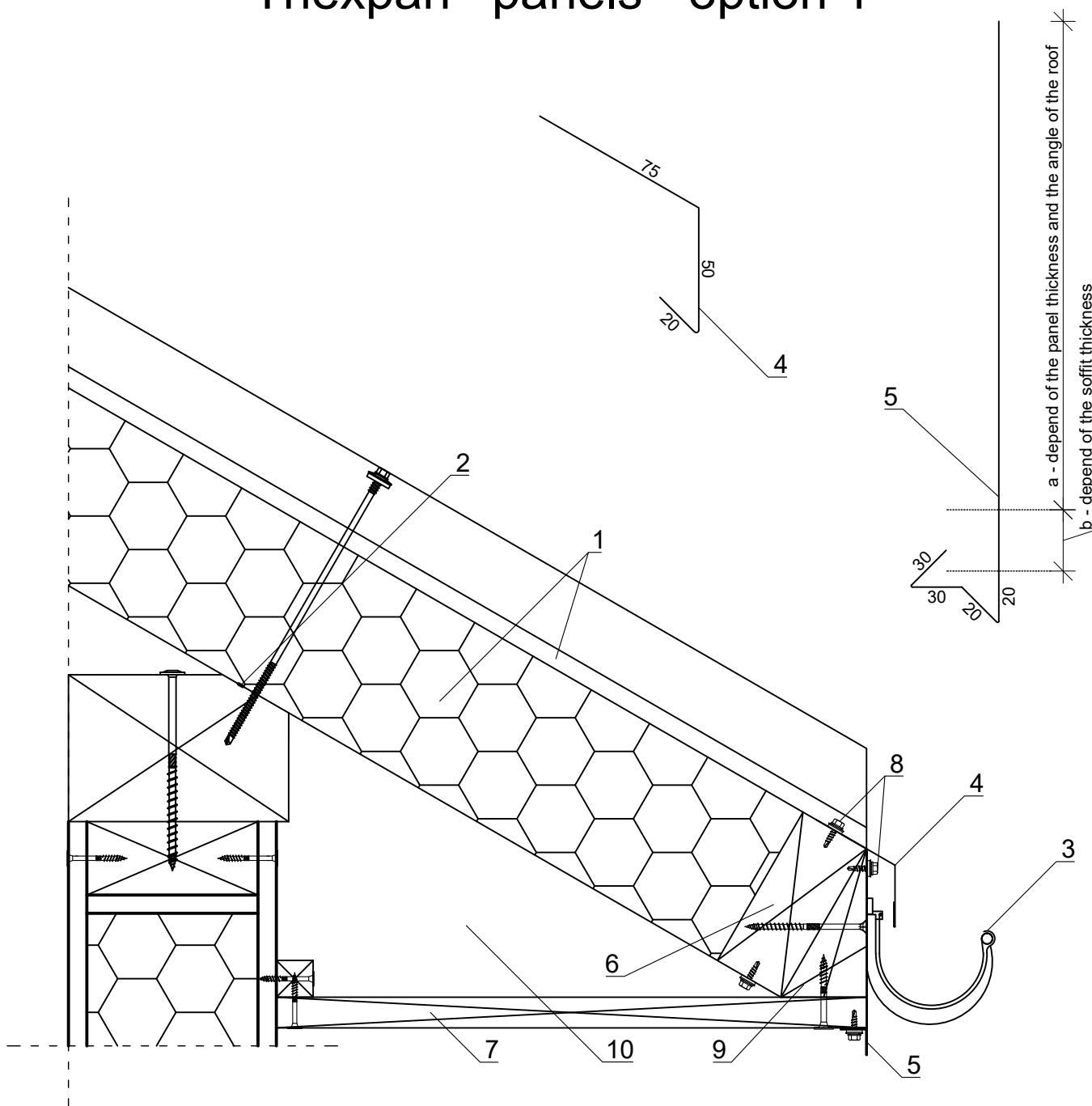
H-Block[®], Thexpan[®], Thermont[®], Frigothex[®]

Energy-saving building systems

Drawing number:

5.6.

Gutter fixing in roof with Thermont[®] / Thexpan[®] panels - option 1



1. Thermont[®] / Thexpan[®] panels
2. Sheet cutting
3. Guttering
4. Flashing over gutter
5. Flashing under gutter

6. Closing beam (KVH/C24)
7. Soffit
8. Screw for joining sheet metal with wood
9. Board regulating the angle for the gutter
10. Ventilated space



Solcraft Sp. z o.o.

Bogdanka 7f biuro@solcraft.pl
 95-060 Brzeziny www.solcraft.pl
 tel. +48 22 723 83 27

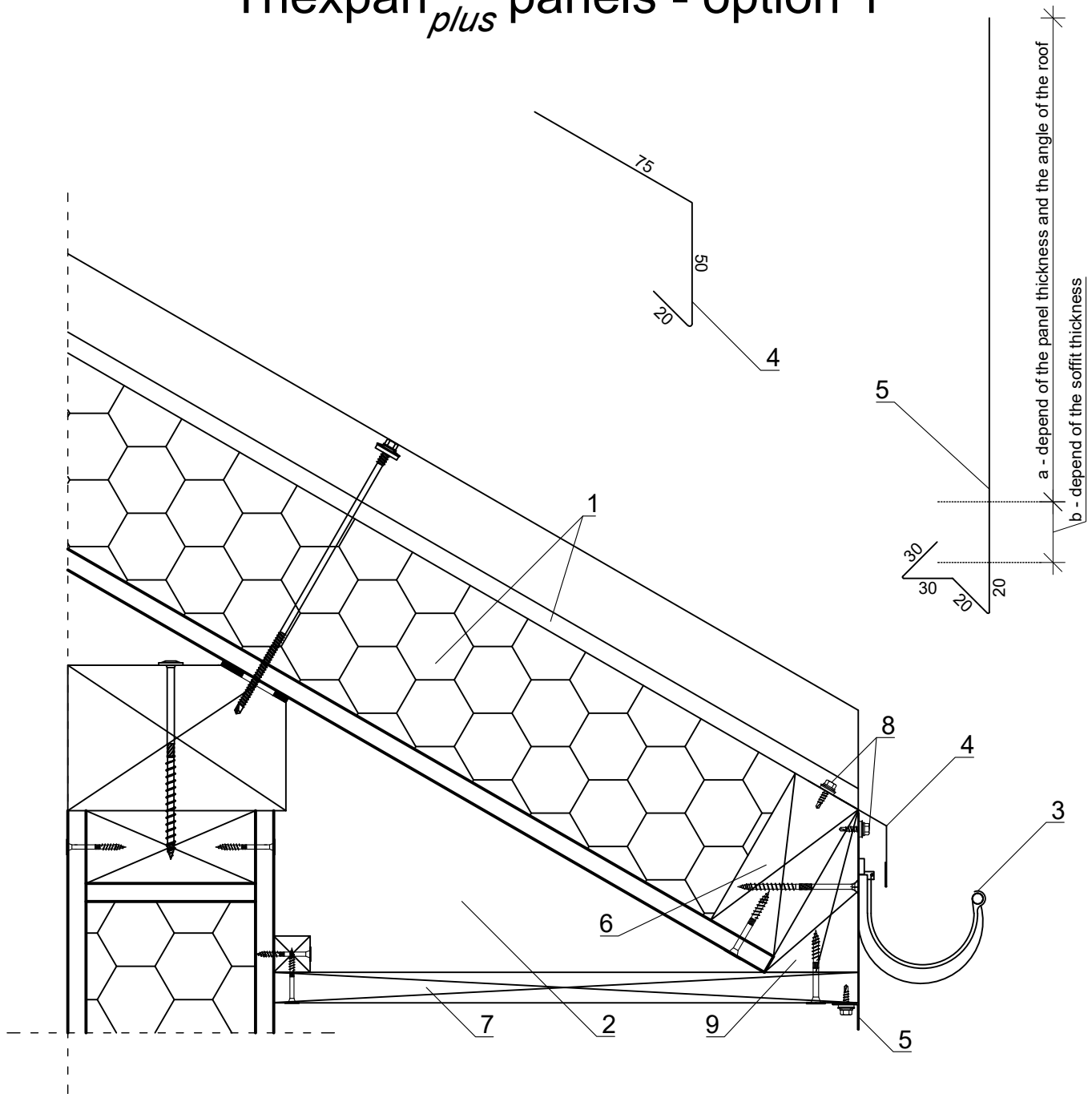
H-Block[®], Thexpan[®], Thermont[®], Frigothex[®]

Energy-saving building systems

Drawing number:

6.1.

Gutter fixing in roof with Thermont[®] / Thexpan[®] plus panels - option 1



1. Thermont[®] / Thexpan[®] plus panels
2. Ventilated space
3. Guttering
4. Flashing over gutter
5. Flashing under gutter

6. Closing beam (KVH/C24)
7. Soffit
8. Screw for joining sheet metal with wood
9. Board regulating the angle for the gutter



Solcraft Sp. z o.o.

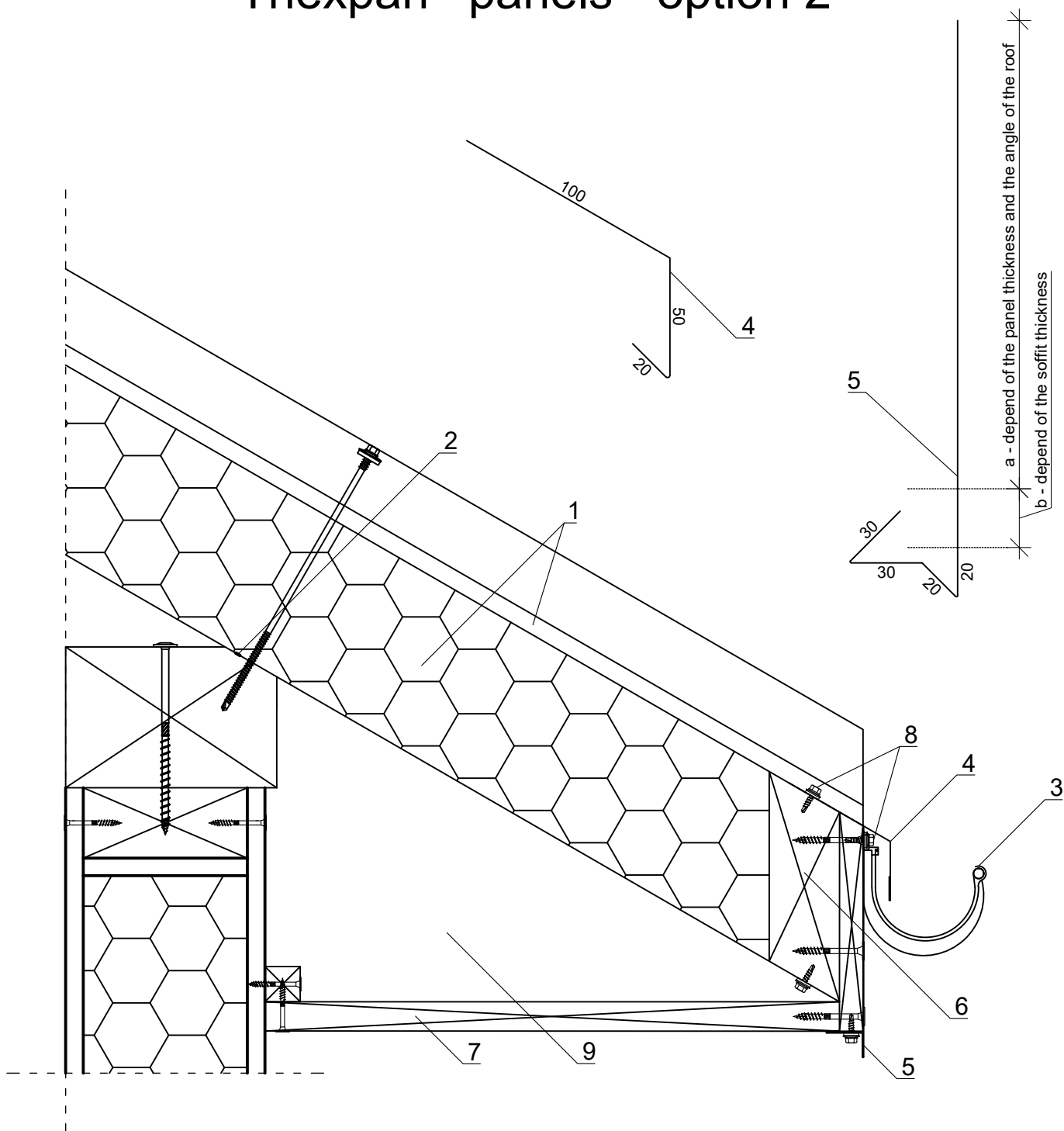
Bogdanka 7f biuro@solcraft.pl
95-060 Brzeziny www.solcraft.pl
tel. +48 22 723 83 27

H-Block[®], Thexpan[®], Thermont[®], Frigothex[®] Drawing number:

Energy-saving building systems

6.2.

Gutter fixing in roof with Thermont[®] / Thexpan[®] panels - option 2



1. Thermont[®] / Thexpan[®] panels
2. Sheet cutting
3. Guttering
4. Flashing over gutter
5. Flashing under gutter

6. Closing beam (KVH/C24)
7. Soffit
8. Screw for joining sheet metal with wood
9. Ventilated space



Solcraft Sp. z o.o.

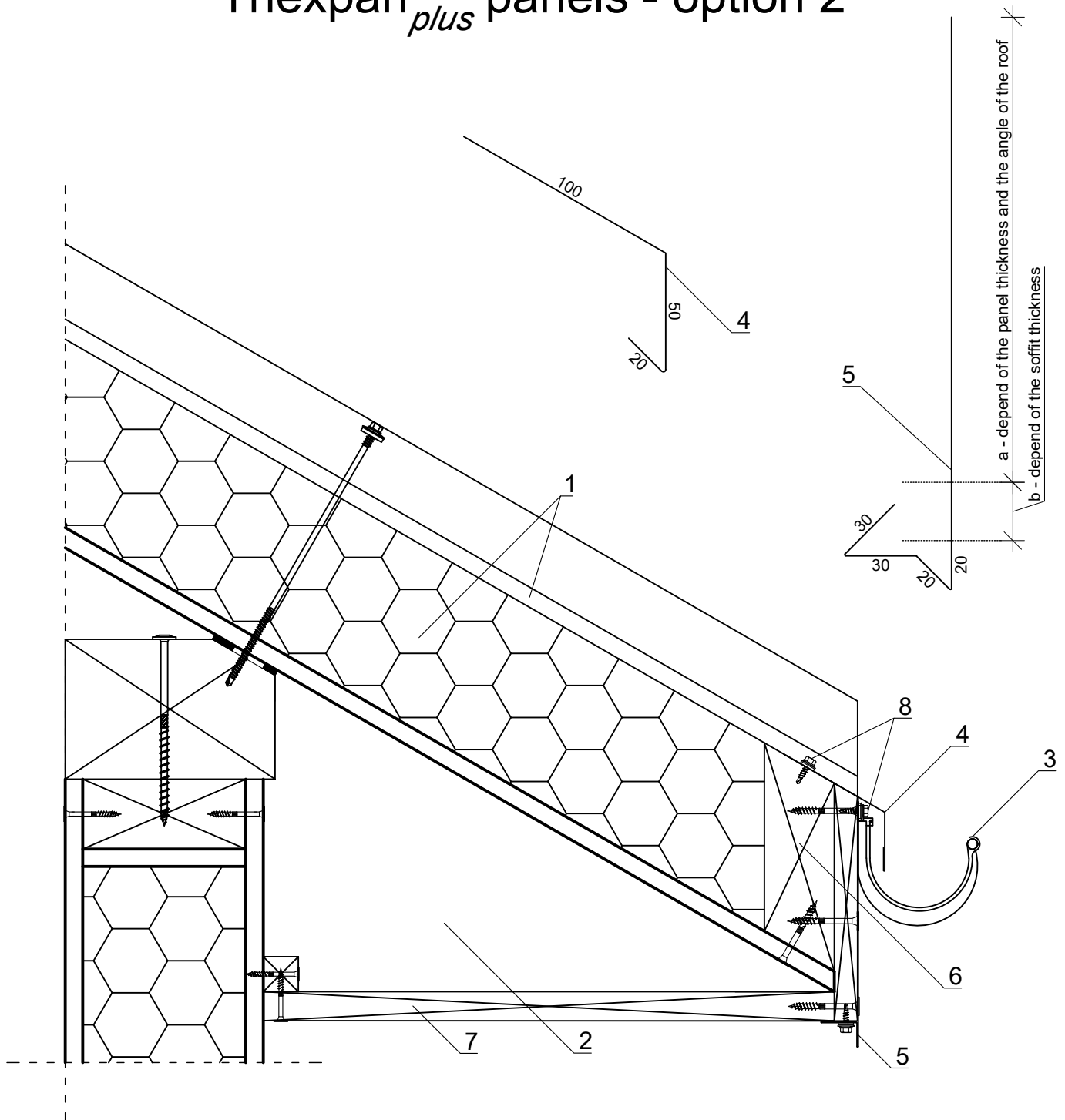
Bogdanka 7f biuro@solcraft.pl
 95-060 Brzeziny www.solcraft.pl
 tel. +48 22 723 83 27

H-Block[®], Thexpan[®], Thermont[®], Frigothex[®] Drawing number:

Energy-saving building systems

6.3.

Gutter fixing in roof with Thermont[®] / Thexpan[®] panels - option 2



1. Thermont[®] / Thexpan[®] panels
2. Ventilated space
3. Guttering
4. Flashing over gutter

5. Flashing under gutter
6. Closing beam (KVH/C24)
7. Soffit
8. Screw for joining sheet metal with wood



Solcraft Sp. z o.o.

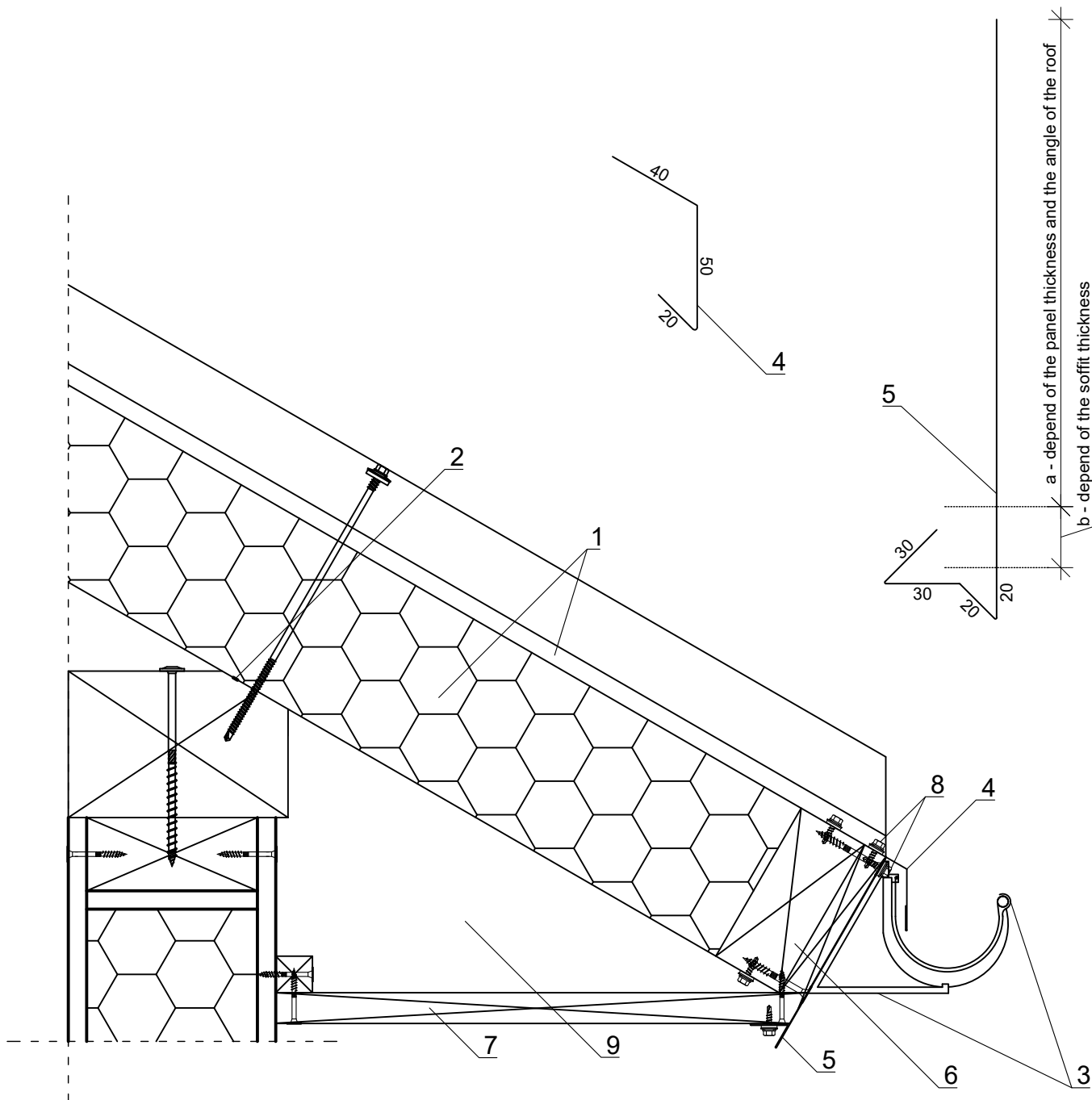
Bogdanka 7f biuro@solcraft.pl
 95-060 Brzeziny www.solcraft.pl
 tel. +48 22 723 83 27

H-Block[®], Thexpan[®], Thermont[®], Frigothex[®] Drawing number:

Energy-saving building systems

6.4.

Gutter fixing in roof with Thermont[®] / Thexpan[®] panels - option 3



- | | |
|--|--|
| 1. Thermont [®] / Thexpan [®] panels | 6. Closing beam (KVH/C24) |
| 2. Sheet cutting | 7. Soffit |
| 3. Adjustable gutter bracket | 8. Screw for joining sheet metal with wood |
| 4. Flashing over gutter | 9. Ventilated space |
| 5. Flashing under gutter | |



Solcraft Sp. z o.o.

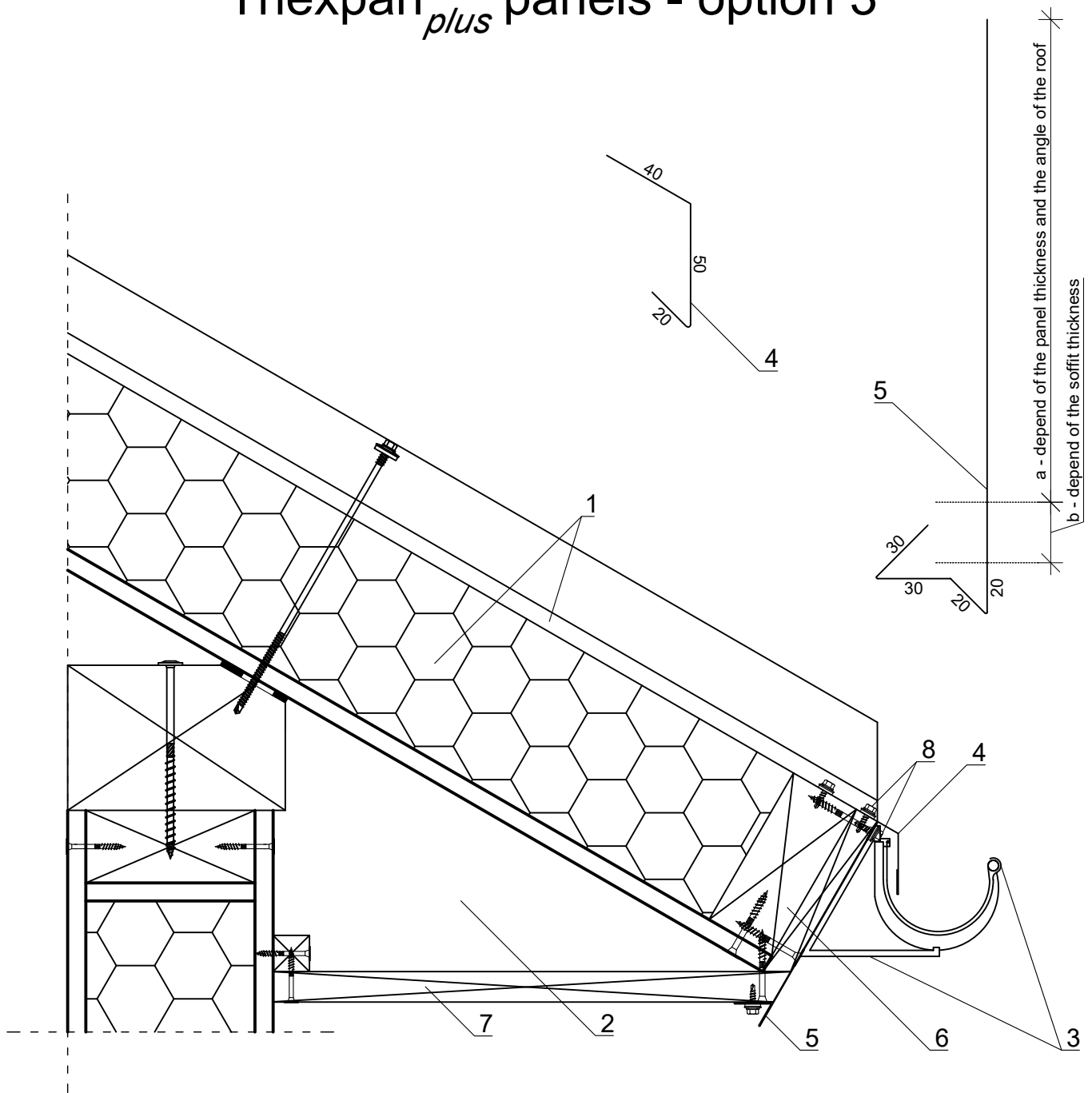
Bogdanka 7f biuro@solcraft.pl
95-060 Brzeziny www.solcraft.pl
tel. +48 22 723 83 27

H-Block[®], Thexpan[®], Thermont[®], Frigothex[®] Drawing number:

Energy-saving building systems

6.5.

Gutter fixing in roof with Thermont[®] / Thexpan[®] plus panels - option 3



1. Thermont[®] / Thexpan[®] plus panels
2. Ventilated space
3. Adjustable Gutter Bracket
4. Flashing over gutter

5. Flashing under gutter
6. Closing beam (KVH/C24)
7. Soffit
8. Screw for joining sheet metal with wood



Solcraft Sp. z o.o.

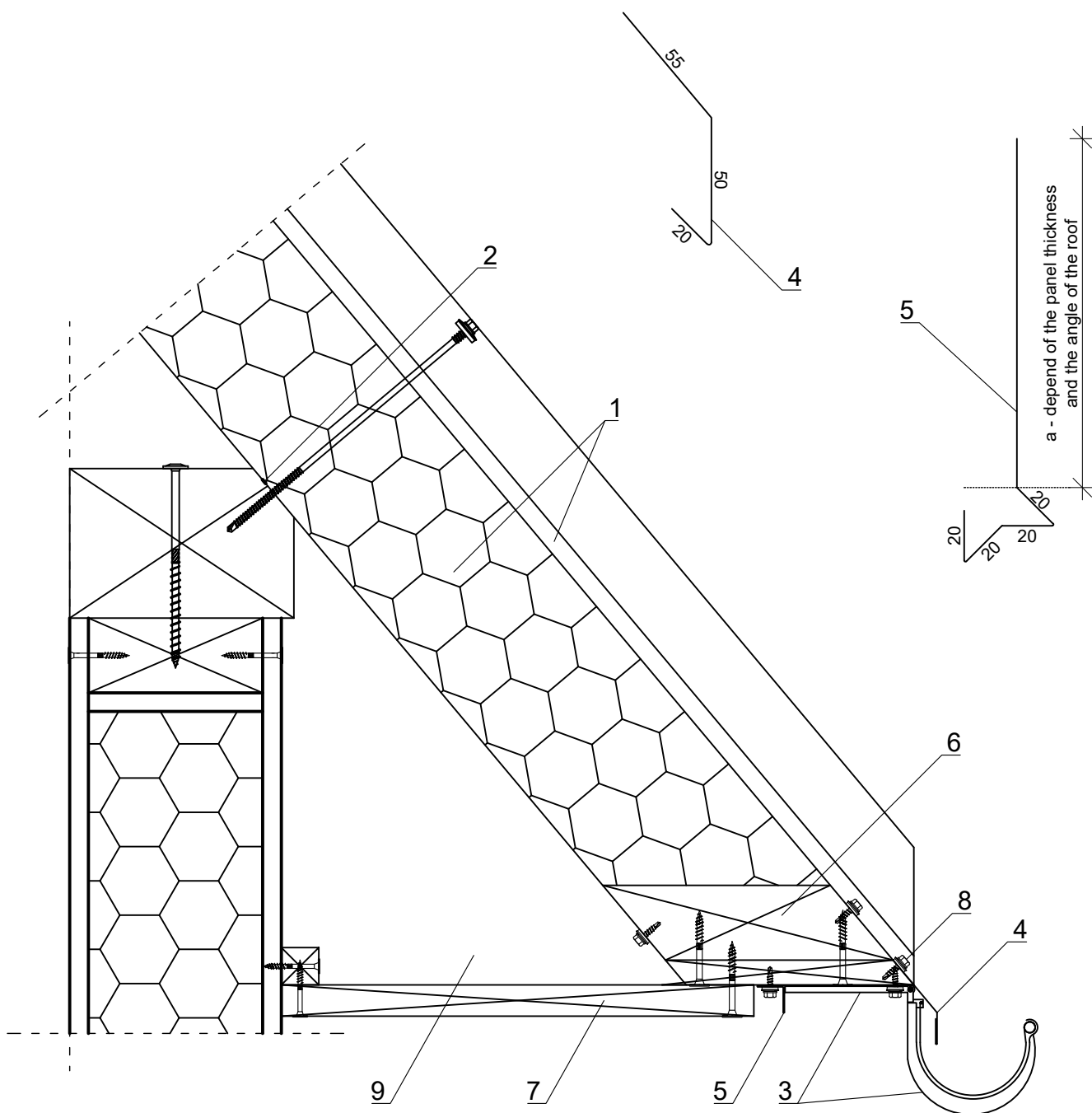
Bogdanka 7f biuro@solcraft.pl
95-060 Brzeziny www.solcraft.pl
tel. +48 22 723 83 27

H-Block[®], Thexpan[®], Thermont[®], Frigothex[®] Drawing number:

Energy-saving building systems

6.6.

Gutter fixing in roof with Thermont® / Thexpan® panels - option 4



- | | |
|--------------------------------|--|
| 1. Thermont® / Thexpan® panels | 6. Closing beam (KVH/C24) |
| 2. Sheet cutting | 7. Soffit |
| 3. Adjustable Gutter Bracket | 8. Screw for joining sheet metal with wood |
| 4. Flashing over gutter | 9. Ventilated space |
| 5. Flashing under gutter | |



Solcraft Sp. z o.o.

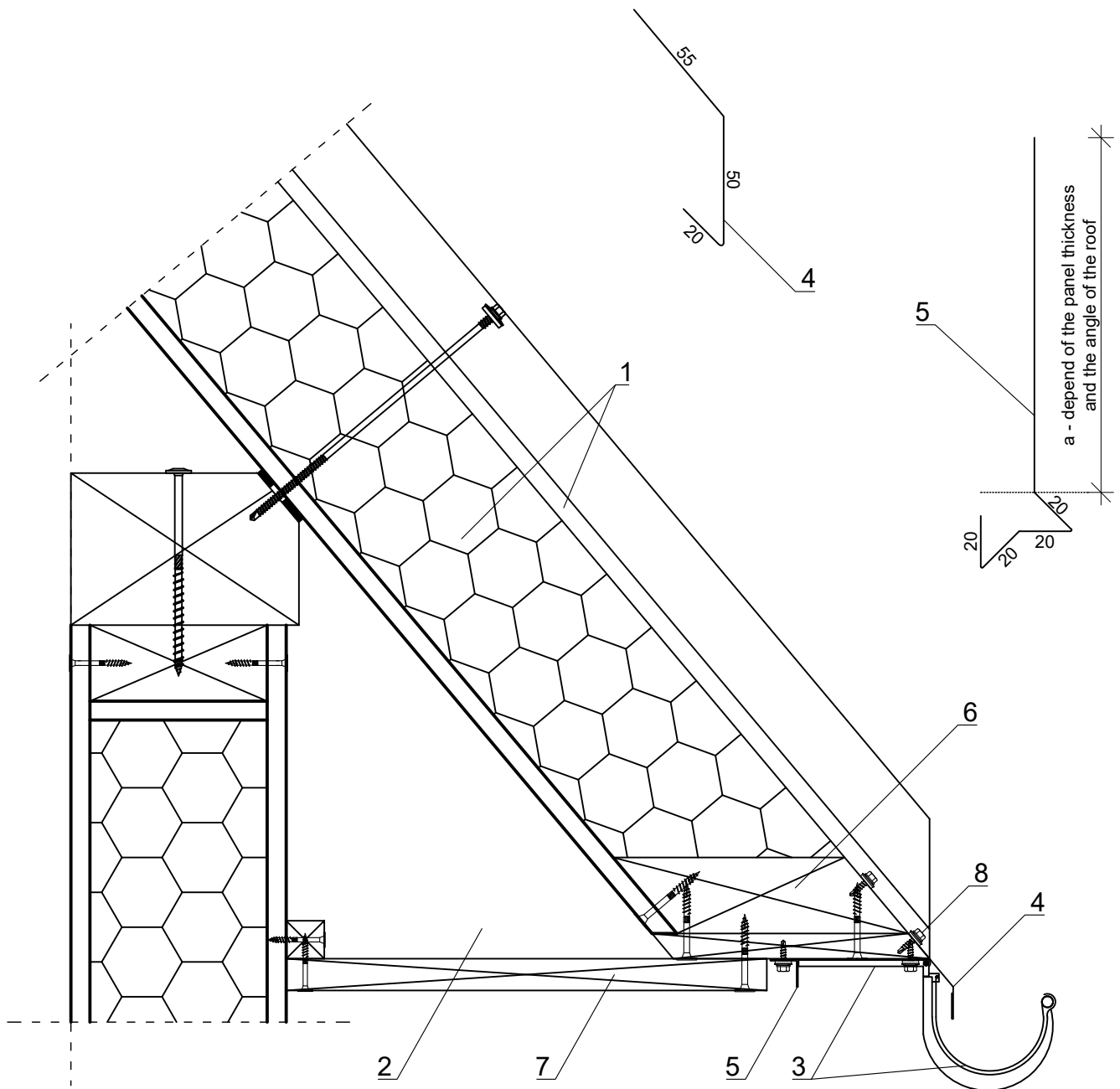
Bogdanka 7f biuro@solcraft.pl
 95-060 Brzeziny www.solcraft.pl
 tel. +48 22 723 83 27

H-Block®, Thexpan®, Thermont®, Frigothex® Drawing number:

Energy-saving building systems

6.7.

Gutter fixing in roof with Thermont[®] / Thexpan[®] plus panels - option 4



1. Thermont[®] / Thexpan[®] plus panels
2. Ventilated space
3. Adjustable gutter bracket
4. Flashing over gutter

5. Flashing under gutter
6. Closing beam (KVH/C24)
7. Soffit
8. Screw for joining sheet metal with wood



Solcraft Sp. z o.o.

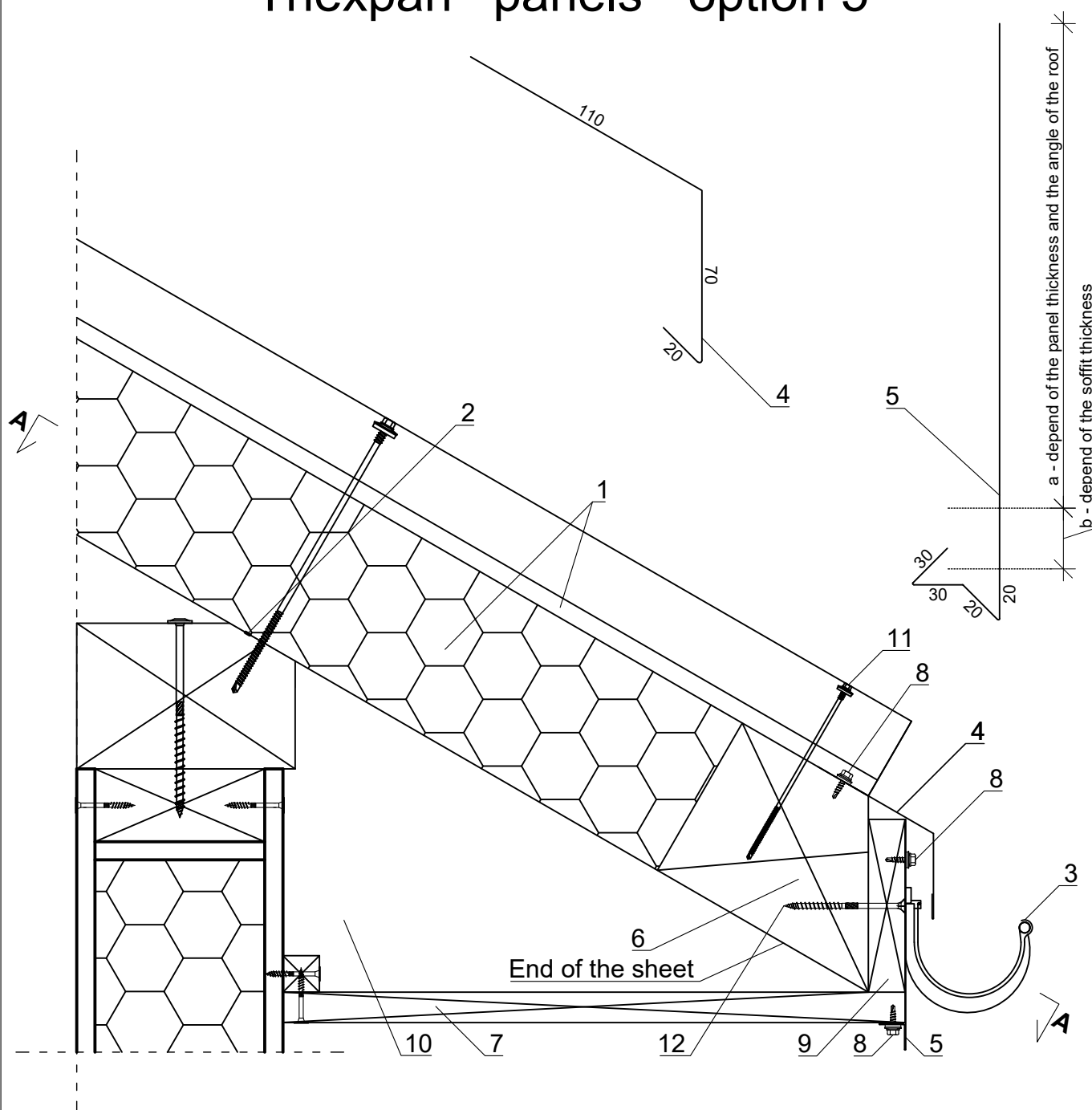
Bogdanka 7f biuro@solcraft.pl
95-060 Brzeziny www.solcraft.pl
tel. +48 22 723 83 27

H-Block[®], Thexpan[®], Thermont[®], Frigothex[®] Drawing number:

Energy-saving building systems

6.8.

Gutter fixing in roof with Thermont® / Thexpan® panels - option 5



Section A-A on infigure 6.10.

- | | |
|------------------------------------|--|
| 1. Thermont® / Thexpan® panels | 8. Screw for joining sheet metal with wood |
| 2. Sheet cutting | 9. Board for fastening the gutter |
| 3. Guttering | 10. Ventilated space |
| 4. Flashing over gutter | 11. Fastener |
| 5. Flashing under gutter | 12. Fastening connector |
| 6. Rafter for fastening the gutter | 13. Open space |
| 7. Soffit | |



Solcraft Sp. z o.o.

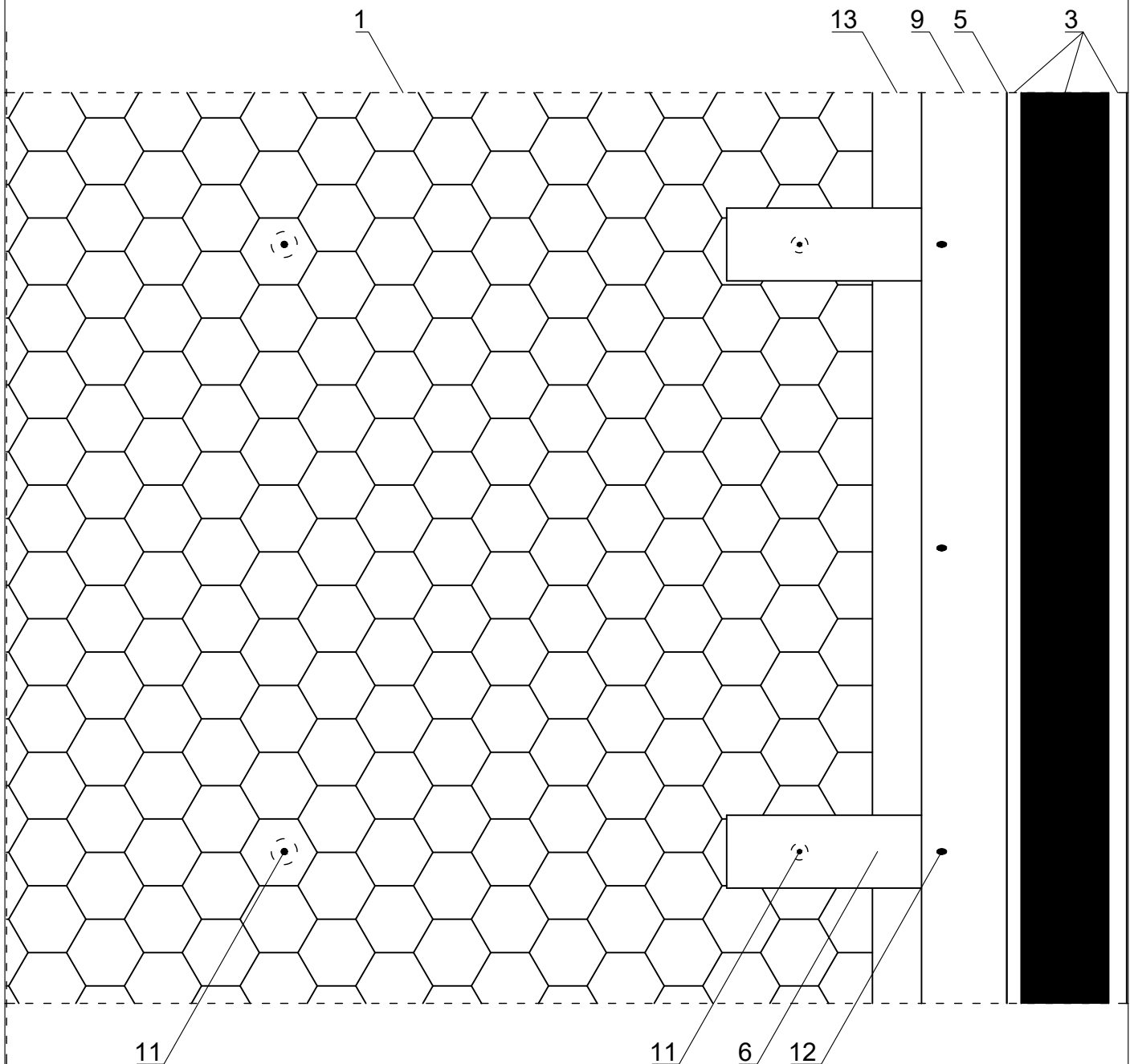
Bogdanka 7f biuro@solcraft.pl
95-060 Brzeziny www.solcraft.pl
tel. +48 22 723 83 27

H-Block®, Thexpan®, Thermont®, Frigothex® Drawing number:

Energy-saving building systems

6.9.

Gutter fixing in roof with Thermont[®] / Thexpan[®] panels - option 5 - section A-A



1. Thermont[®] / Thexpan[®] panels
2. Sheet cutting
3. Guttering
4. Flashing over gutter
5. Flashing under gutter
6. Rafter for fastening the gutter
7. Soffit

8. Screw for joining sheet metal with wood
9. Board for fastening the gutter
10. Ventilated space
11. Fastener
12. Fastening connector
13. Open space



Solcraft Sp. z o.o.

Bogdanka 7f biuro@solcraft.pl
95-060 Brzeziny www.solcraft.pl
tel. +48 22 723 83 27

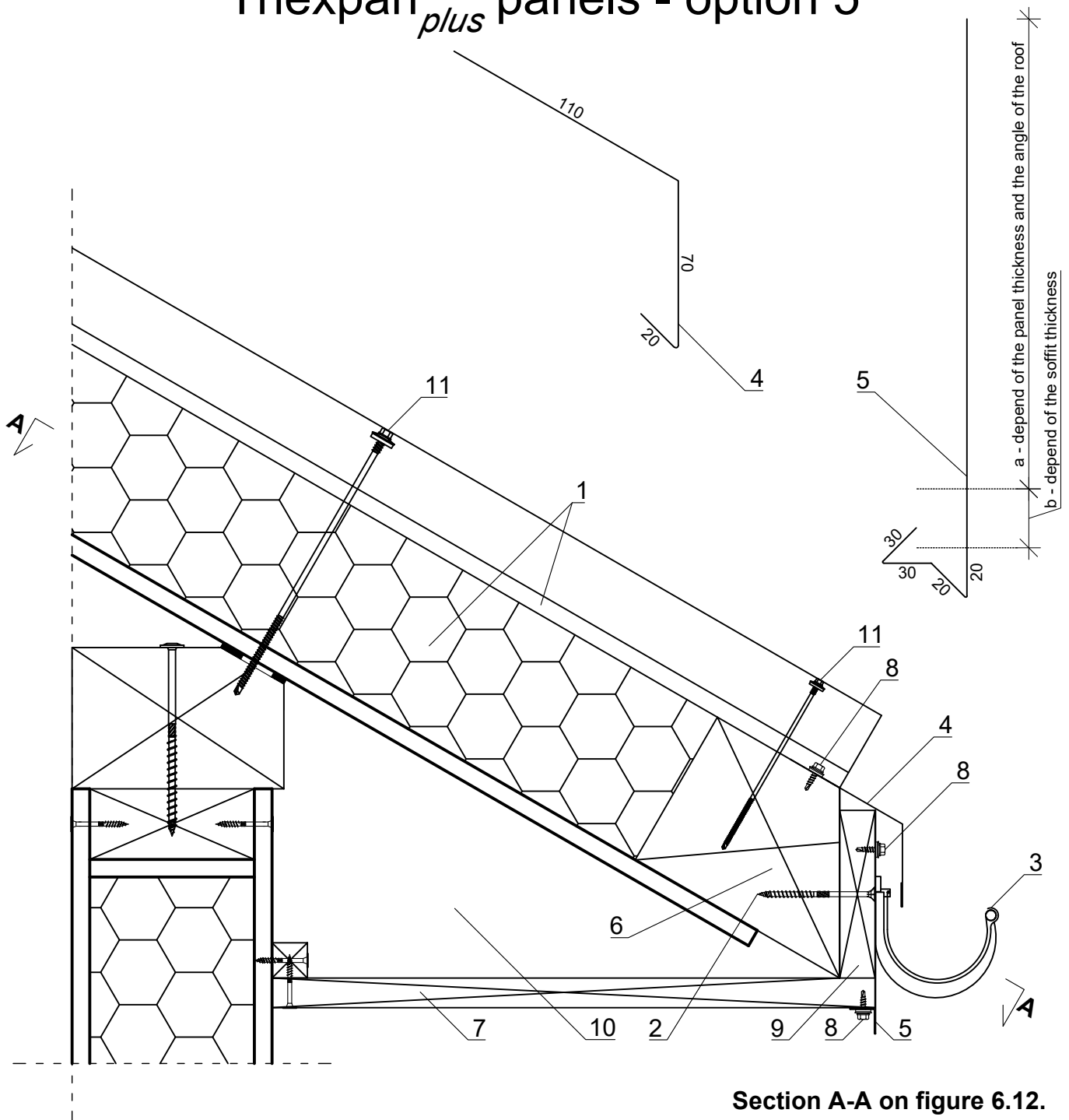
H-Block[®], Thexpan[®], Thermont[®], Frigothex[®]

Energy-saving building systems

Drawing number:

6.10.

Gutter fixing in roof with Thermont[®] / Thexpan[®] plus panels - option 5



Section A-A on figure 6.12.

- | | |
|---|--|
| 1. Thermont [®] / Thexpan [®] plus panels | 7. Soffit |
| 2. Fastening connector | 8. Screw for joining sheet metal with wood |
| 3. Guttering | 9. Board for fastening the gutter |
| 4. Flashing over gutter | 10. Ventilated space |
| 5. Flashing under gutter | 11. Fastener |
| 6. Rafter for fastening the gutter | 12. Open space |



Solcraft Sp. z o.o.

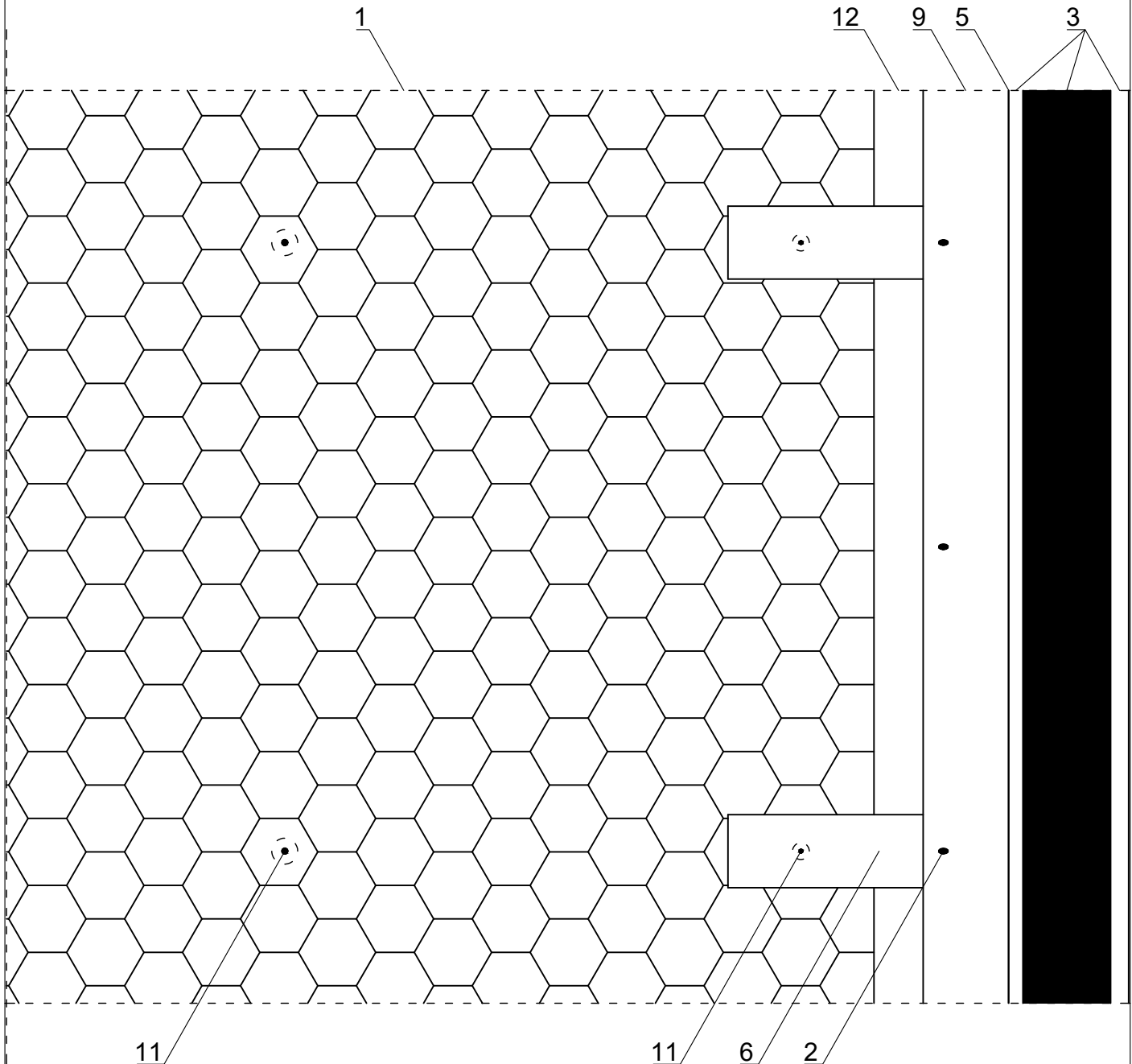
Bogdanka 7f biuro@solcraft.pl
95-060 Brzeziny www.solcraft.pl
tel. +48 22 723 83 27

H-Block[®], Thexpan[®], Thermont[®], Frigothex[®] Drawing number:

Energy-saving building systems

6.11.

Gutter fixing in roof with Thermont[®] / Thexpan[®] plus panels - option 5 - section A-A



- | | |
|---|--|
| 1. Thermont [®] / Thexpan [®] plus panels | 7. Soffit |
| 2. Fastening connector | 8. Screw for joining sheet metal with wood |
| 3. Guttering | 9. Board for fastening the gutter |
| 4. Flashing over gutter | 10. Ventilated space |
| 5. Flashing under gutter | 11. Fastener |
| 6. Rafter for fastening the gutter | 12. Open space |



Solcraft Sp. z o.o.

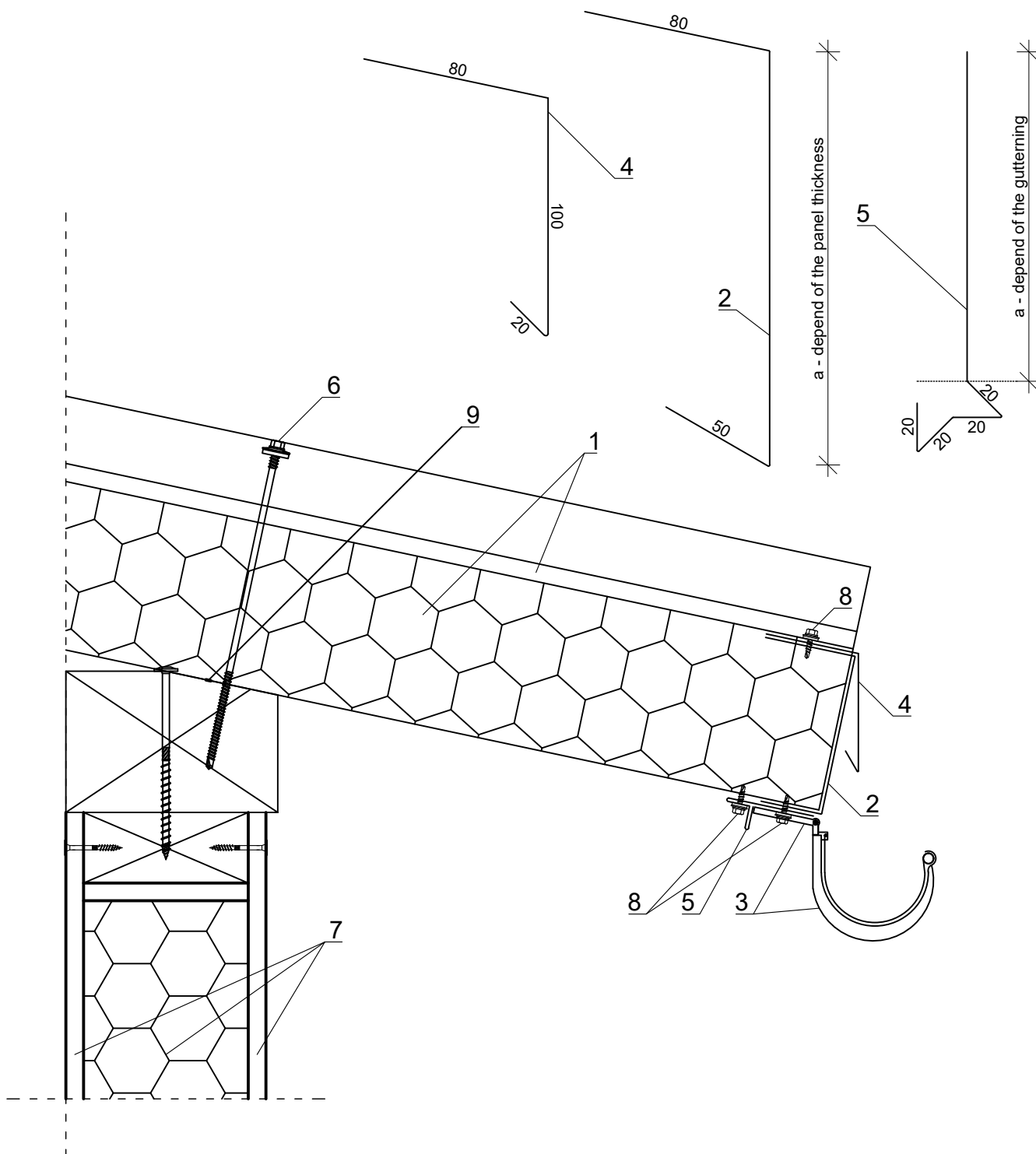
Bogdanka 7f biuro@solcraft.pl
95-060 Brzeziny www.solcraft.pl
tel. +48 22 723 83 27

H-Block[®], Thexpan[®], Thermont[®], Frigothex[®] Drawing number:

Energy-saving building systems

6.12.

Gutter fixing in roof with Thermont[®] / Thexpan[®] panels - option 6



- | | |
|--|-------------------------------|
| 1. Thermont [®] / Thexpan [®] panels | 6. Fastener |
| 2. Closing sheet metal | 7. H-Block [®] panel |
| 3. Guttering | 6. Sheet metal screws |
| 4. Flashing over gutter | 7. Sheet cutting |
| 5. Flashing under gutter | |



Solcraft Sp. z o.o.

Bogdanka 7f biuro@solcraft.pl
95-060 Brzeziny www.solcraft.pl
tel. +48 22 723 83 27

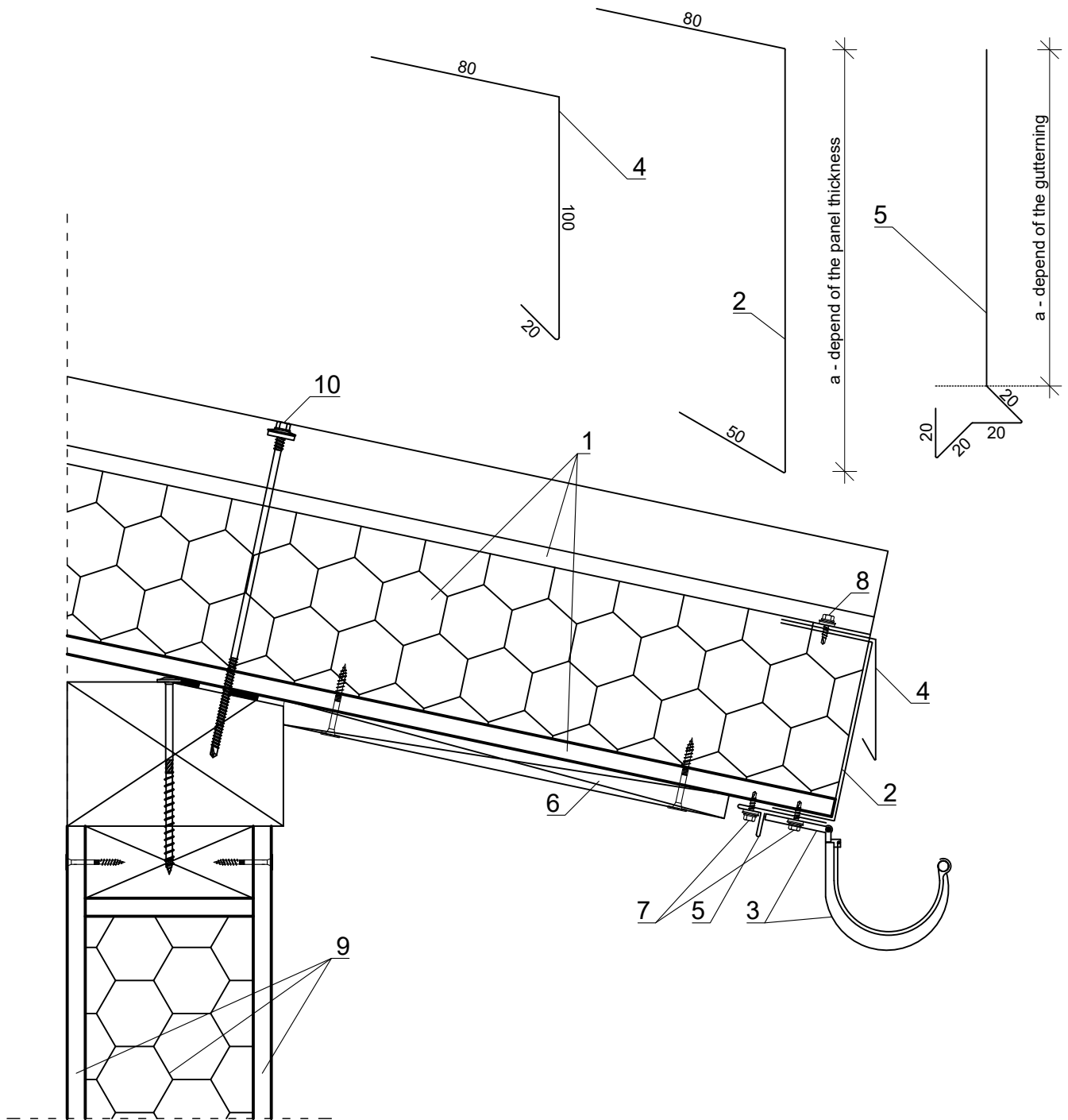
H-Block[®], Thexpan[®], Thermont[®], Frigothex[®]

Energy-saving building systems

Drawing number:

6.13.

Gutter fixing in roof with Thermont[®] / Thexpan[®] plus panels - option 6



1. Thermont[®] / Thexpan[®] plus panels
2. Closing sheet metal
3. Guttering
4. Flashing over gutter
5. Flashing under gutter

6. Soffit (2cm) - fastening in accordance with the system supplier - on the side of the investor
7. Screw for joining sheet metal with wood
8. Sheet metal screws
9. H-Block[®] panel
10. Fastener



Solcraft Sp. z o.o.

Bogdanka 7f biuro@solcraft.pl
95-060 Brzeziny www.solcraft.pl
tel. +48 22 723 83 27

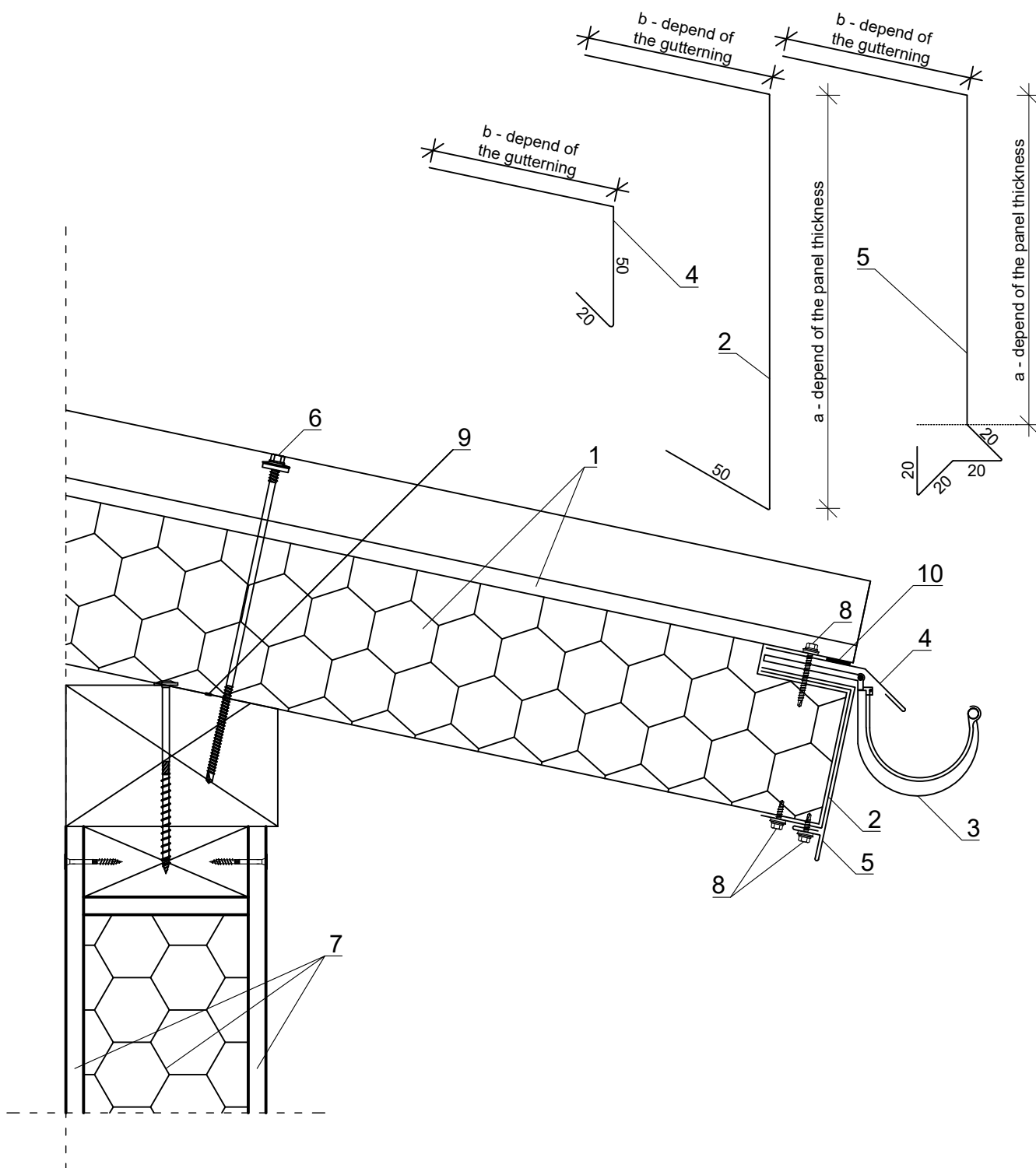
H-Block[®], Thexpan[®], Thermont[®], Frigothex[®]

Energy-saving building systems

Drawing number:

6.14.

Gutter fixing in roof with Thermont[®] / Thexpan[®] panels - option 7



- | | |
|--|-------------------------------|
| 1. Thermont [®] / Thexpan [®] panels | 6. Fastener |
| 2. Closing sheet metal | 7. H-Block [®] panel |
| 3. Guttering | 8. Sheet metal screws |
| 4. Flashing over gutter | 9. Sheet cutting |
| 5. Flashing under gutter | |



Solcraft Sp. z o.o.

Bogdanka 7f biuro@solcraft.pl
95-060 Brzeziny www.solcraft.pl
tel. +48 22 723 83 27

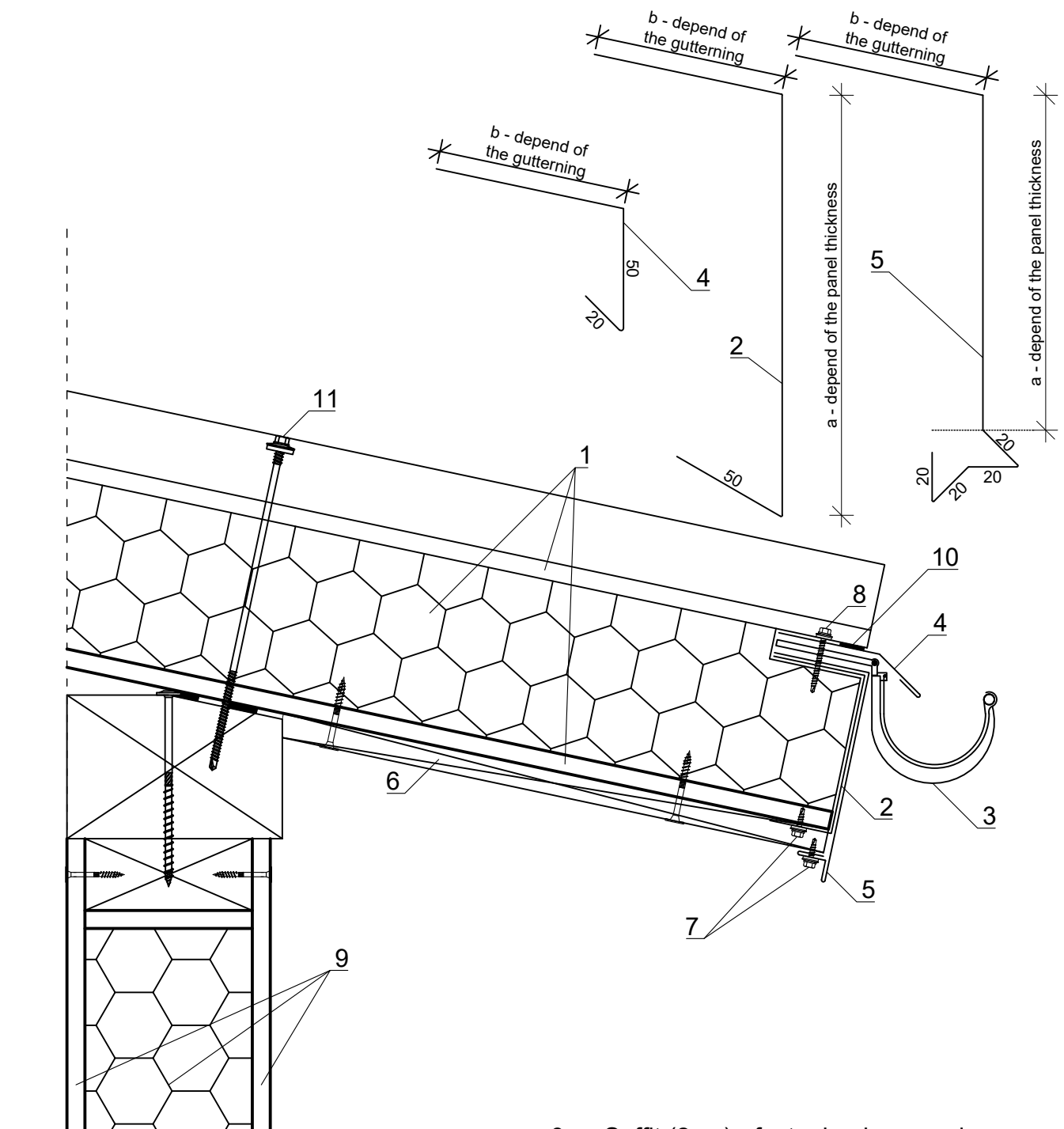
H-Block[®], Thexpan[®], Thermont[®], Frigothex[®]

Energy-saving building systems

Drawing number:

6.15.

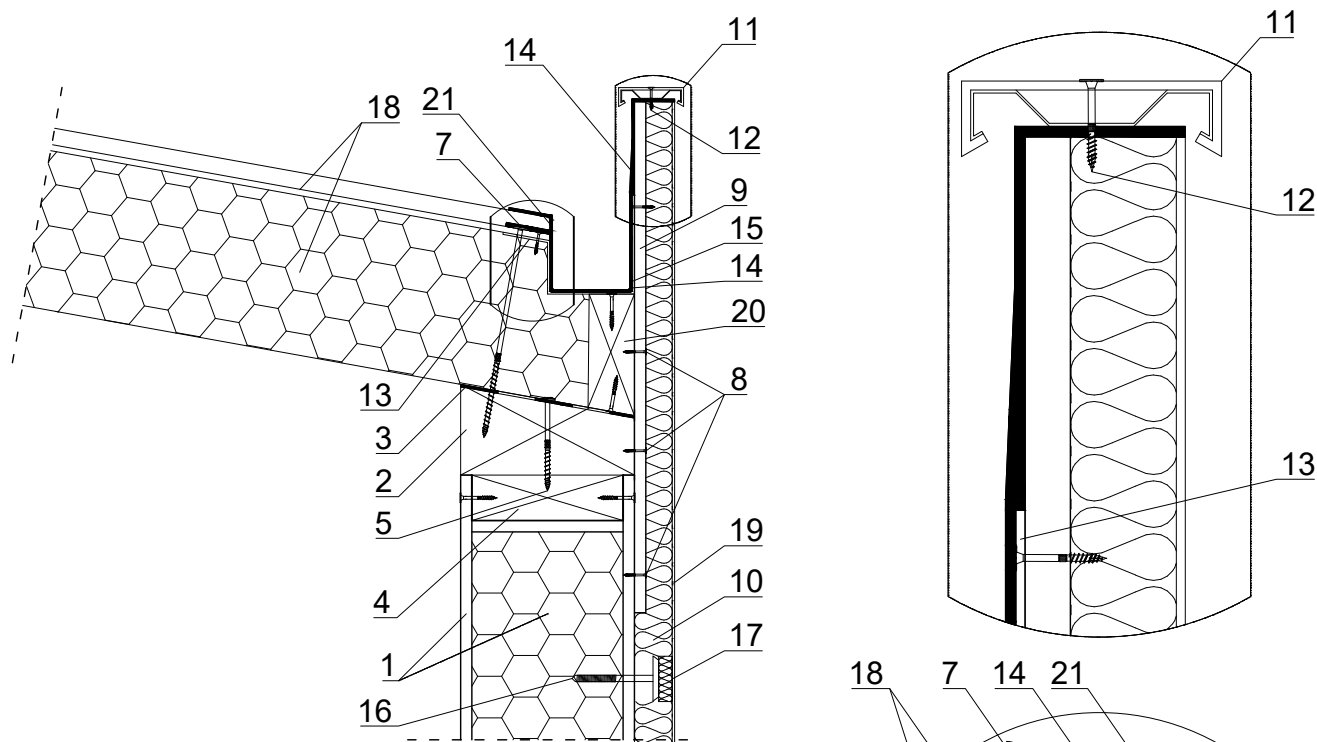
Gutter fixing in roof with Thermont[®] / Thexpan[®] plus panels - option 7



1. Thermont[®] / Thexpan[®] plus panels
2. Closing sheet metal
3. Guttering
4. Flashing over gutter
5. Flashing under gutter

6. Soffit (2cm) - fastening in accordance with the system supplier - on the side of the investor
7. Screw for joining sheet metal with wood
8. Sheet metal screws
9. H-Block[®] panel
10. Silicone seal
11. Fastener

Drainage trough in the Thermont[®] / Thexpan[®] roof panel with an attic



1. H-Block[®] panel
2. Wall plate
3. Gasket
4. Headplate (KVH/C24)
5. Disc head screw 8x120
6. Screw 5x40 with alternating spacing at 20-25 cm intervals
7. Disc head screw depending on the thickness of the plate on spacing 1-2m (the designer of the building structure decides):
 - 8x260 for a 130mm thick H-Block[®]
 - 8x280 for a 170mm thick H-Block[®]
 - 8x340 for a 230mm thick H-Block[®]
8. Fastening of OSB stiffening the attic made of insulation
9. OSB stiffening the attic made of insulation
10. Insulation
11. Attic flashing
12. Fastening of the attic with a screw
13. Flashing
14. Roofing felt
15. Rectangular gutter with dimensions of 100mm x 65mm
16. Dowels for fixing thermal insulation 4 ÷ 6 pieces/m²
17. End caps for polystyrene
18. Thermont[®] / Thexpan[®] panels
19. Thin-layer mineral or silicate plaster
20. Closing beam (KVH/C24)
21. End of the roof clip according to drawing 2.1.



Solcraft Sp. z o.o.

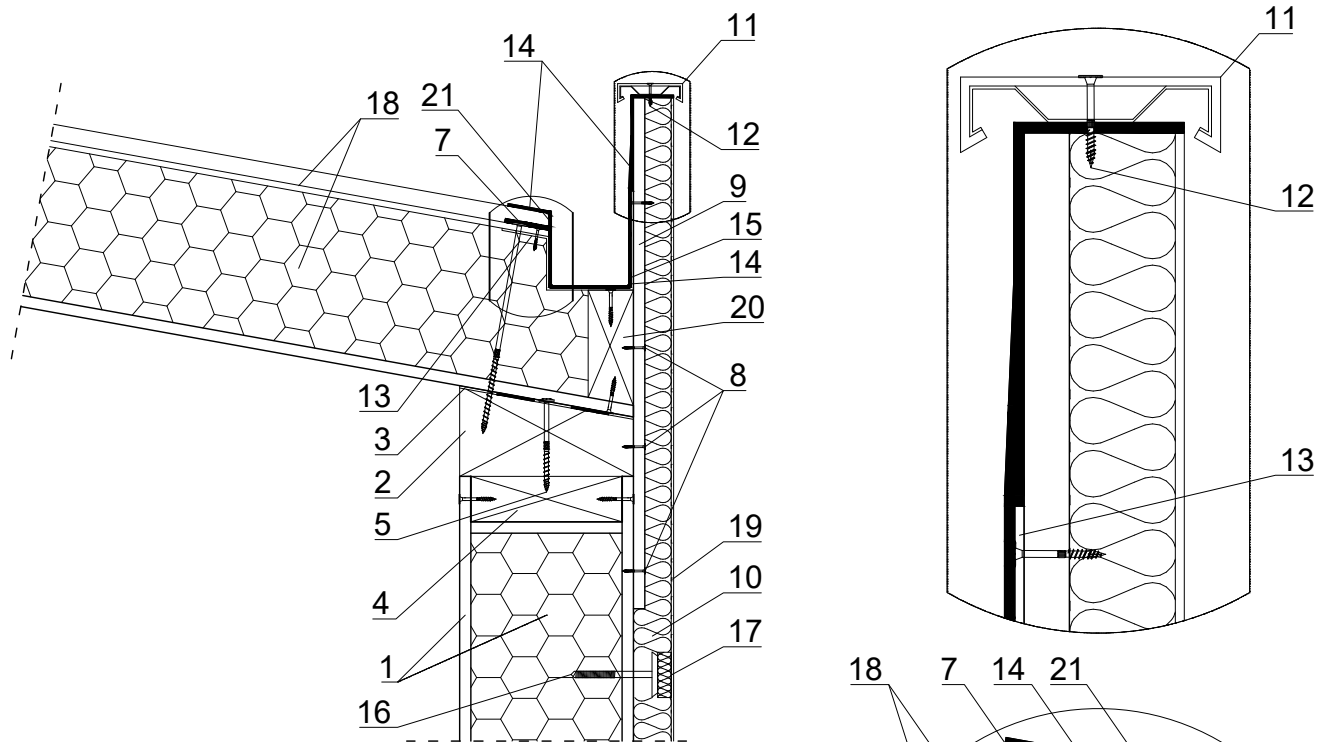
Bogdanka 7f biuro@solcraft.pl
 95-060 Brzeziny www.solcraft.pl
 tel. +48 22 723 83 27

H-Block[®], Thexpan[®], Thermont[®], Frigothex[®] Drawing number:

Energy-saving building systems

7.1.

Drainage trough in the Thermont[®] / Thexpan[®] plus roof panel with an attic



1. H-Block[®] panel
2. Wall plate
3. Gasket
4. Headplate (KVH/C24)
5. Disc head screw 8x120
6. Screw 5x40 with alternating spacing at 20-25 cm intervals
7. Disc head screw depending on the thickness of the plate on spacing 1-2m (the designer of the building structure decides):
 - 8x260 for a 130mm thick H-Block[®]
 - 8x280 for a 170mm thick H-Block[®]
 - 8x340 for a 230mm thick H-Block[®]
8. Fastening of OSB stiffening the attic made of insulation
9. OSB stiffening the attic made of insulation
10. Insulation
11. Attic flashing
12. Fastening of the attic with a screw
13. Flashing
14. Roofing felt
15. Rectangular gutter with dimensions of 100mm x 65mm
16. Dowels for fixing thermal insulation 4 ÷ 6 pieces/m²
17. End caps for polystyrene
18. Thermont[®] / Thexpan[®] panels
19. Thin-layer mineral or silicate plaster
20. Closing beam (KVH/C24)
21. End of the roof clip according to drawing 2.1.



Solcraft Sp. z o.o.

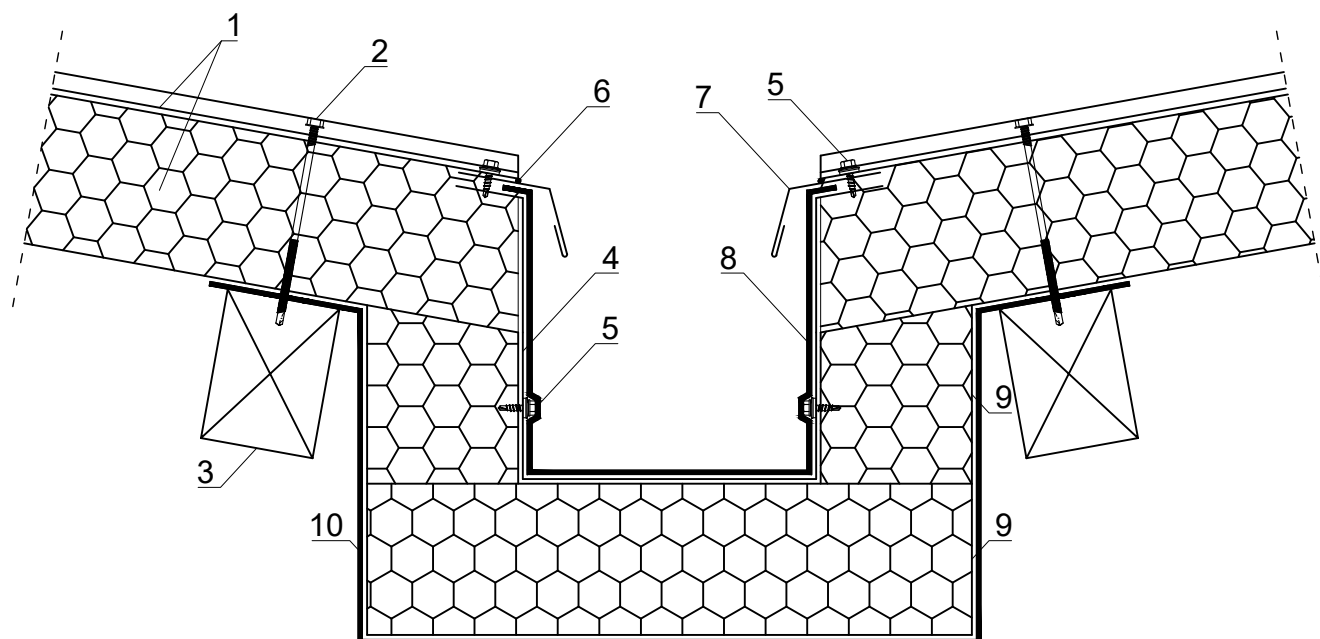
Bogdanka 7f biuro@solcraft.pl
95-060 Brzeziny www.solcraft.pl
tel. +48 22 723 83 27

H-Block[®], Thexpan[®], Thermont[®], Frigothex[®] Drawing number:

Energy-saving building systems

7.2.

Drainage trough in the Thermont[®] / Thexpan[®] roof panel



1. Thermont[®] / Thexpan[®] panel
2. Fastener
3. Wooden construction
4. Flashing
5. Sheet metal screws
6. Roofing putty
7. Flashing
8. Roofing felt
9. Filling with insulating material
10. Gutter made of galvanized sheet



Solcraft Sp. z o.o.

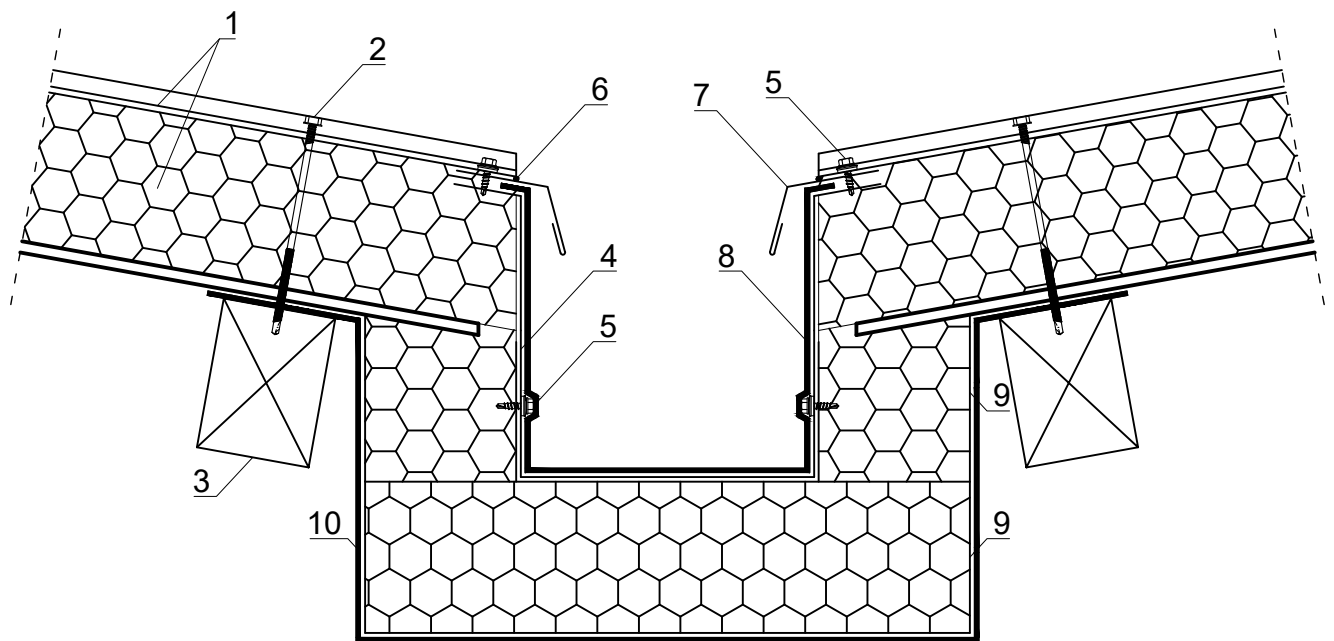
Bogdanka 7f biuro@solcraft.pl
95-060 Brzeziny www.solcraft.pl
tel. +48 22 723 83 27

H-Block[®], Thexpan[®], Thermont[®], Frigothex[®] Drawing number:

Energy-saving building systems

7.3.

Drainage trough in the Thermont[®] / Thexpan[®] plus roof panel



1. Thermont[®] / Thexpan[®] plus panel
2. Fastener
3. Wooden construction
4. Flashing
5. Sheet metal screws
6. Roofing putty
7. Flashing
8. Roofing felt
9. Filling with insulating material
10. Gutter made of galvanized sheet



Solcraft Sp. z o.o.

Bogdanka 7f biuro@solcraft.pl
95-060 Brzeziny www.solcraft.pl
tel. +48 22 723 83 27

H-Block[®], Thexpan[®], Thermont[®], Frigothex[®] Drawing number:

Energy-saving building systems

7.4.